



AUDIO DYNAMICS

Vehicle Information	
Year	2010
Make	Toyota
Model	Venza

Enclosure Information	
Design Type	Bass-Reflex
Placement	Cargo area
Orientation	Position the enclosure with the subs directed upward, vents along the rear.

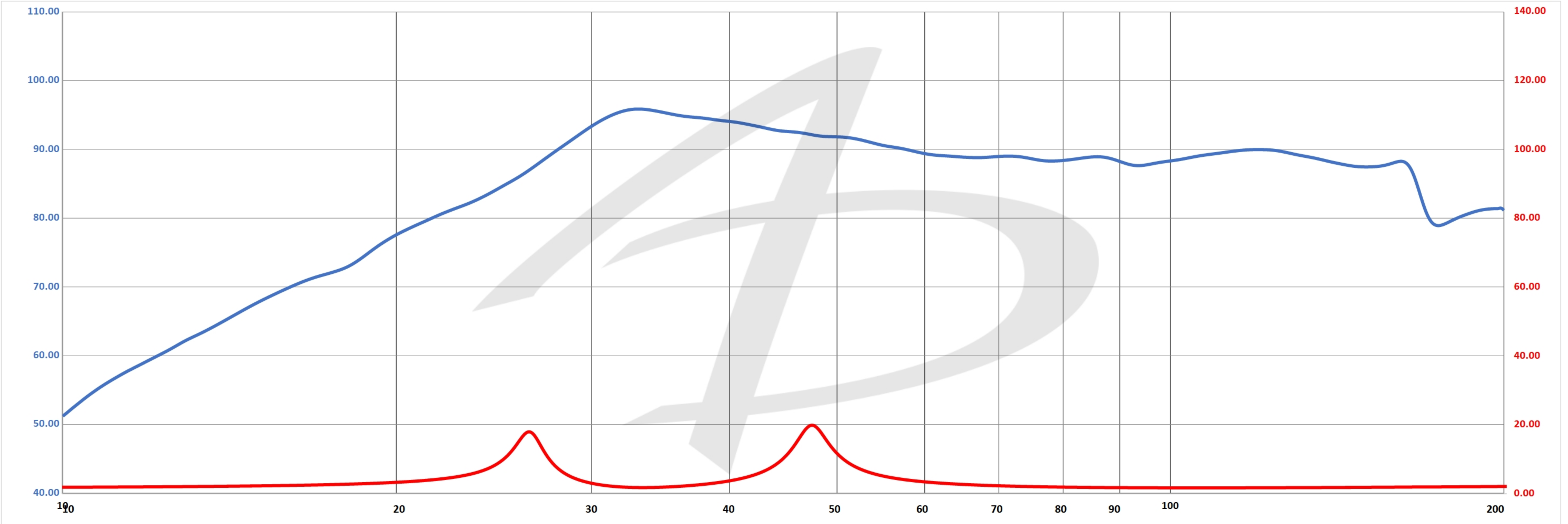
Special Notes

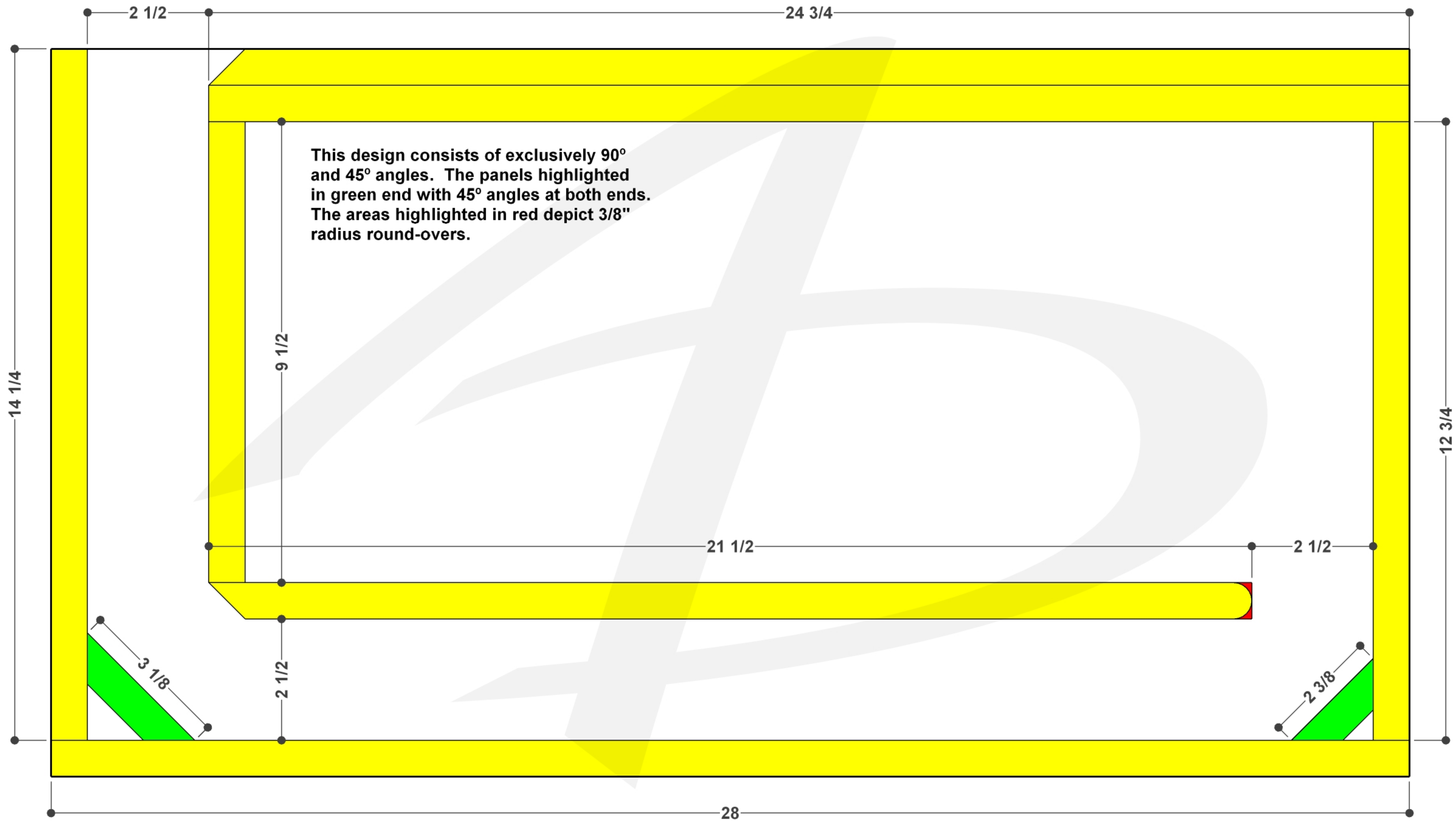
Amplifier Information	
Continuous Power Handling	4,000 W
Subsonic Filter Setting	30 Hz
Low Pass Filter Setting	60 Hz

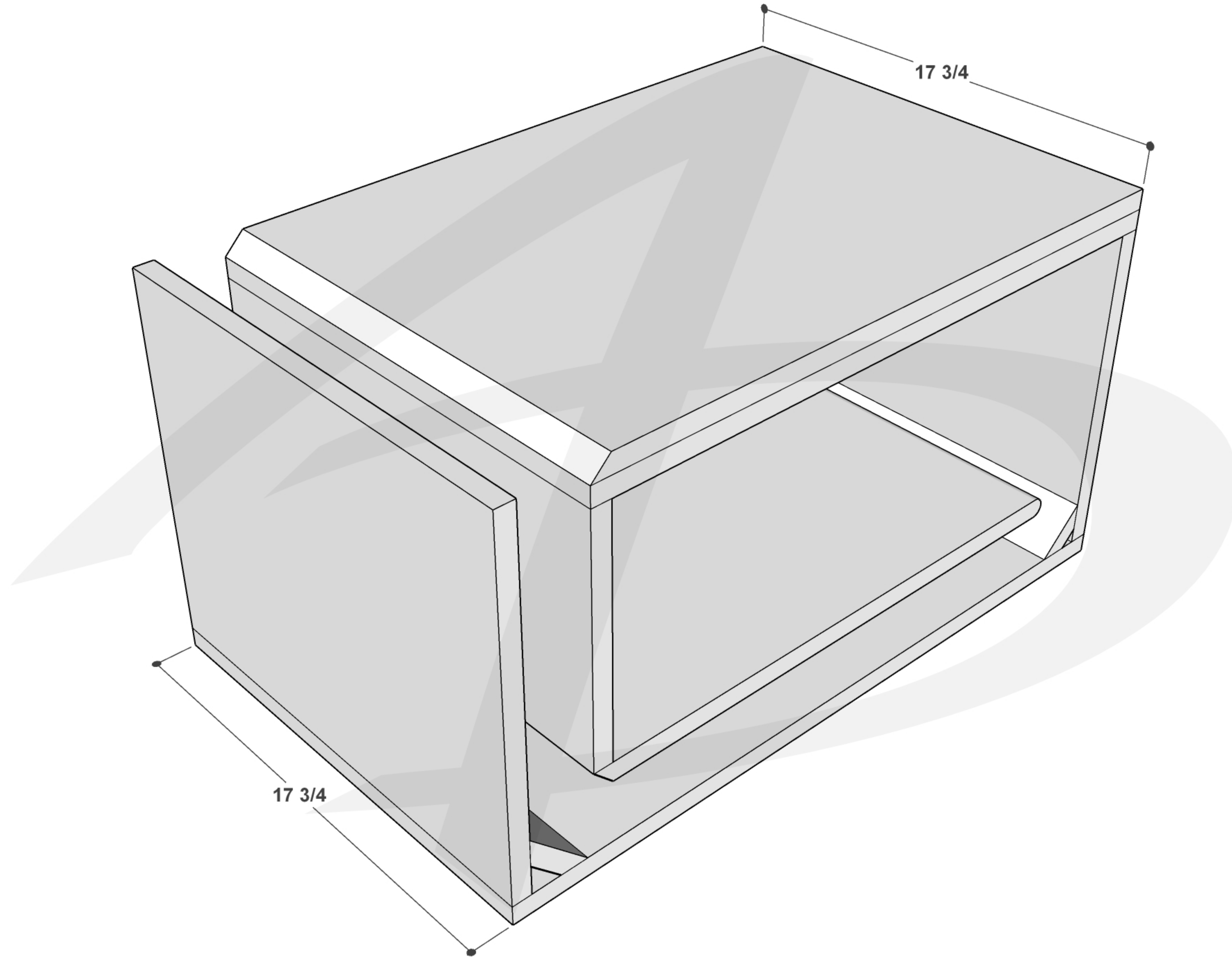
Subwoofer Information	
Make	Audio Dynamics
Model	AD6015 D1
Quantity	2

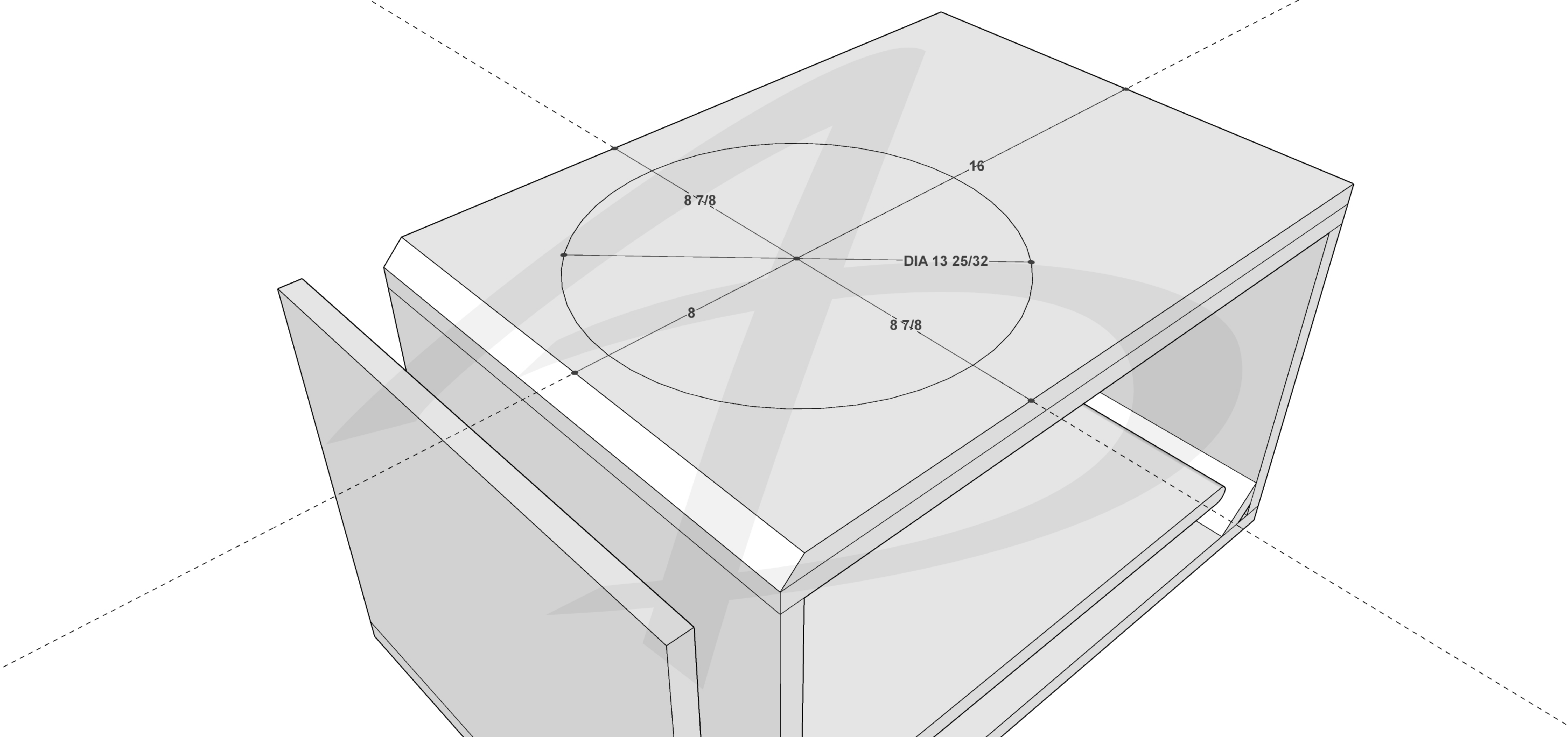
Performance Information	
SQ	<input checked="" type="checkbox"/> Within the Vehicle
<input checked="" type="checkbox"/> SQL	Outside the Vehicle
SPL	Metering Position

Metering Information		
Headrest	Peak Frequency	Hz
Dash / Windshield		
Foot Well		









8 7/8

16

DIA 13 25/32

8

8 7/8

