



**AUDIO DYNAMICS**

Vehicle Information	
Year	2018
Make	Ford
Model	F150

Enclosure Information	
Design Type	Bass-Reflex
Placement	Behind Seats
Orientation	Position the enclosure with the sub directed forward along the driver side, vent directed upward along the passenger side.

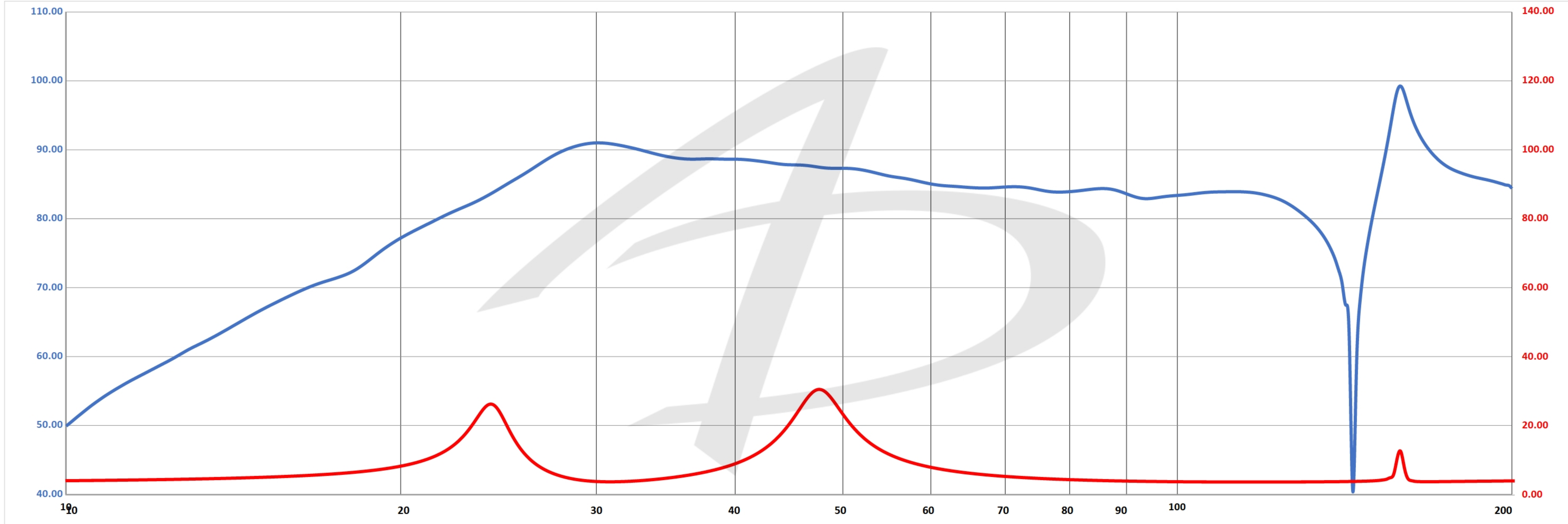
Special Notes

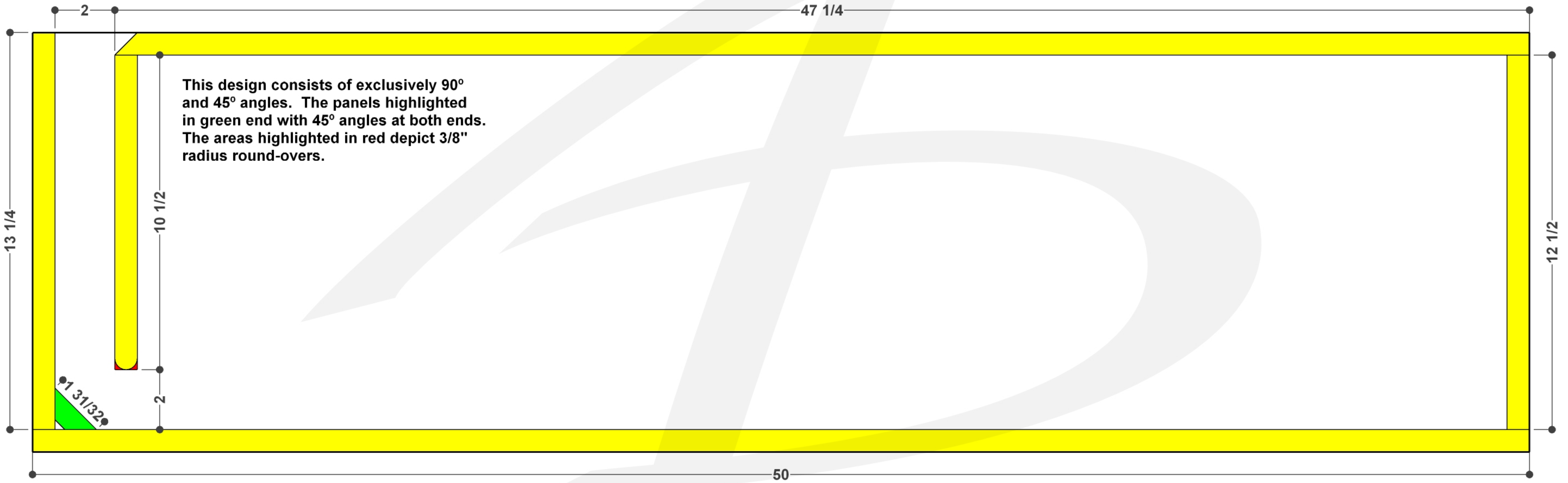
Amplifier Information	
Continuous Power Handling	300 W
Subsonic Filter Setting	28 Hz
Low Pass Filter Setting	60 Hz

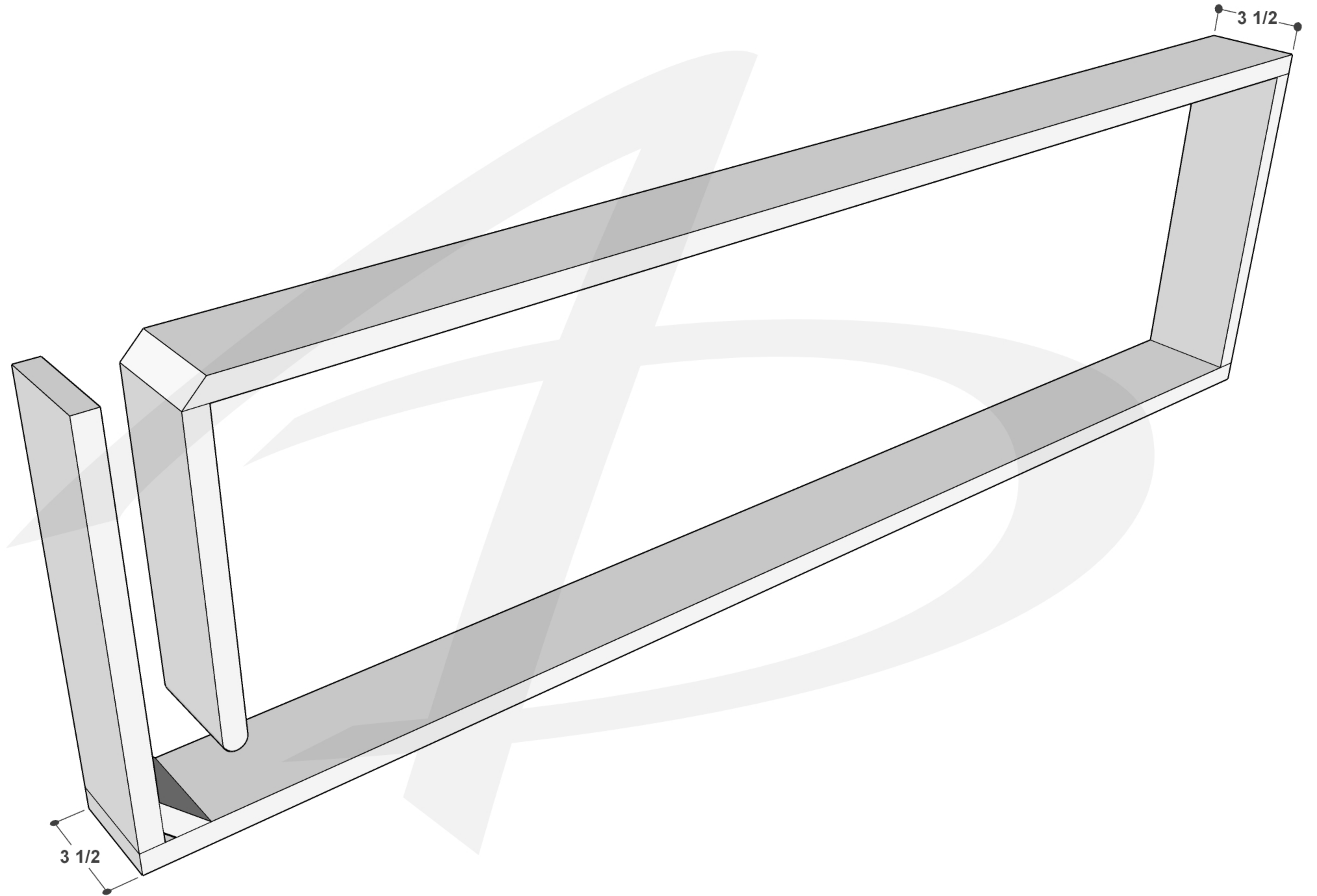
Subwoofer Information	
Make	Audio Dynamics
Model	AD2510 D2
Quantity	1

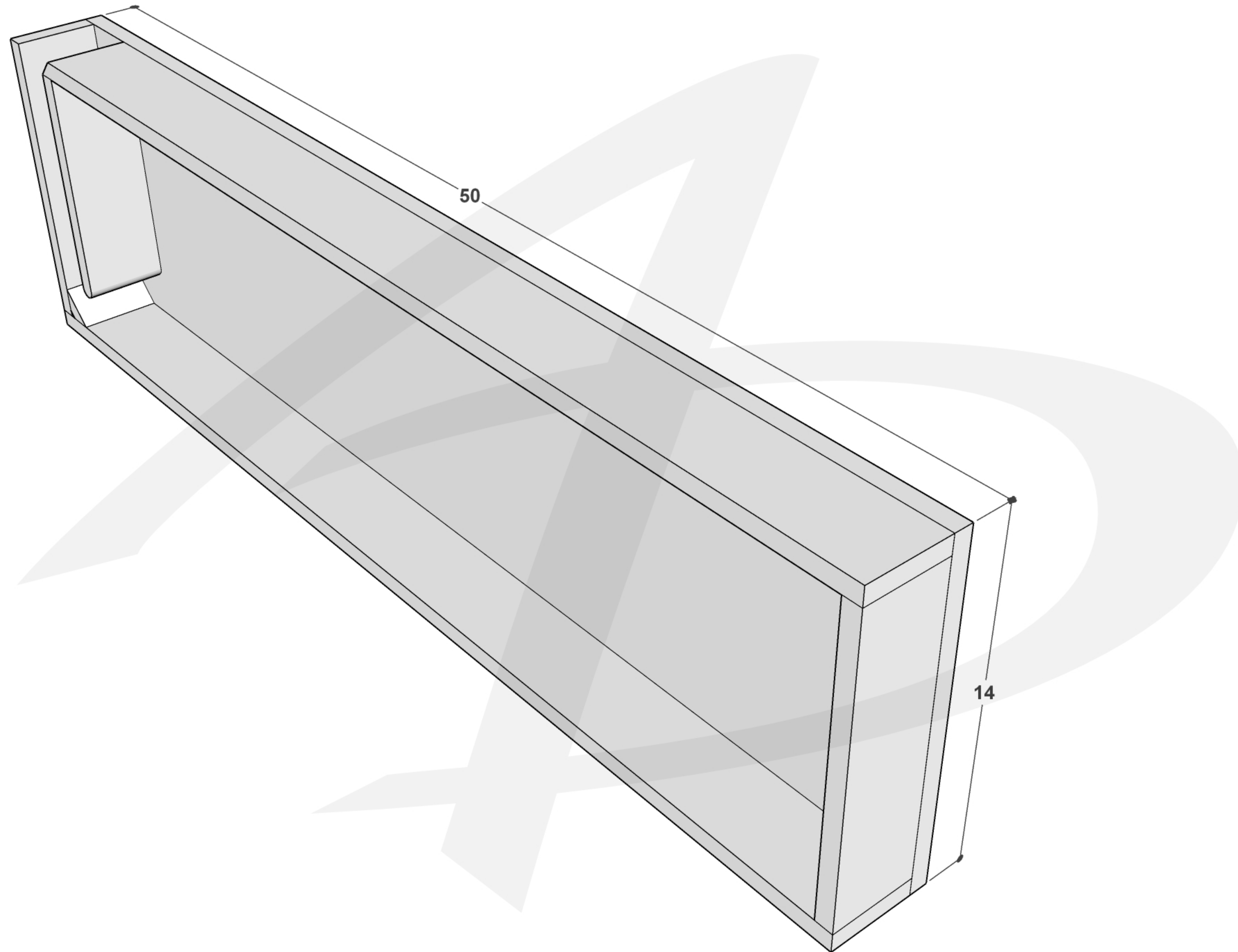
Performance Information	
SQ	<input checked="" type="checkbox"/> Within the Vehicle
<input checked="" type="checkbox"/> SQL	Outside the Vehicle
SPL	Metering Position

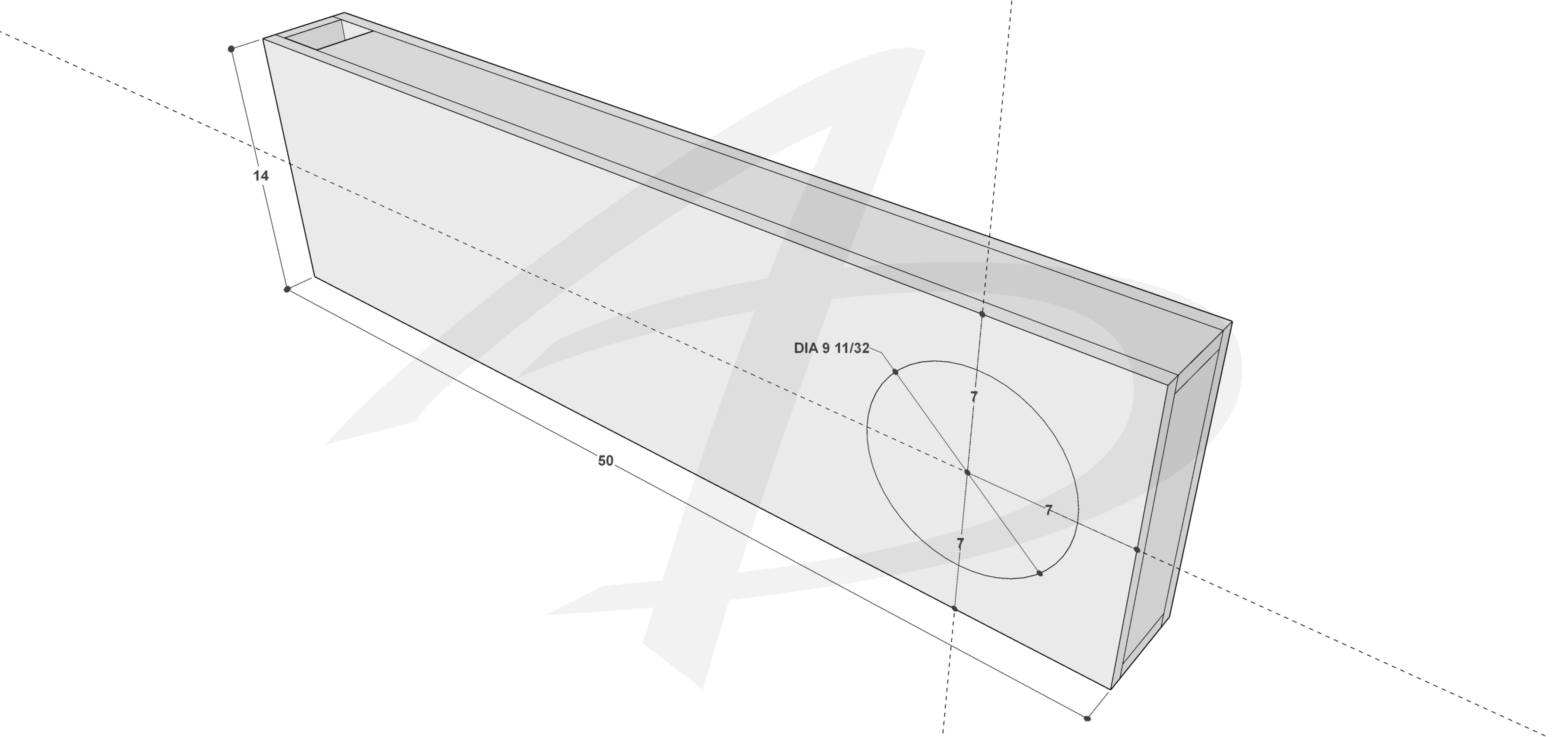
Metering Information		
Headrest	Peak Frequency	Hz
Dash / Windshield		
Foot Well		











14

50

DIA 9 11/32

7

7

7

