



**AUDIO DYNAMICS**

Vehicle Information	
Year	2016
Make	Jeep
Model	Wrangler

Enclosure Information	
Design Type	6 <sup>th</sup> Order Series-Tuned Bandpass
Placement	Cargo area
Orientation	Position the enclosure with the vent directed upward along the passenger side.

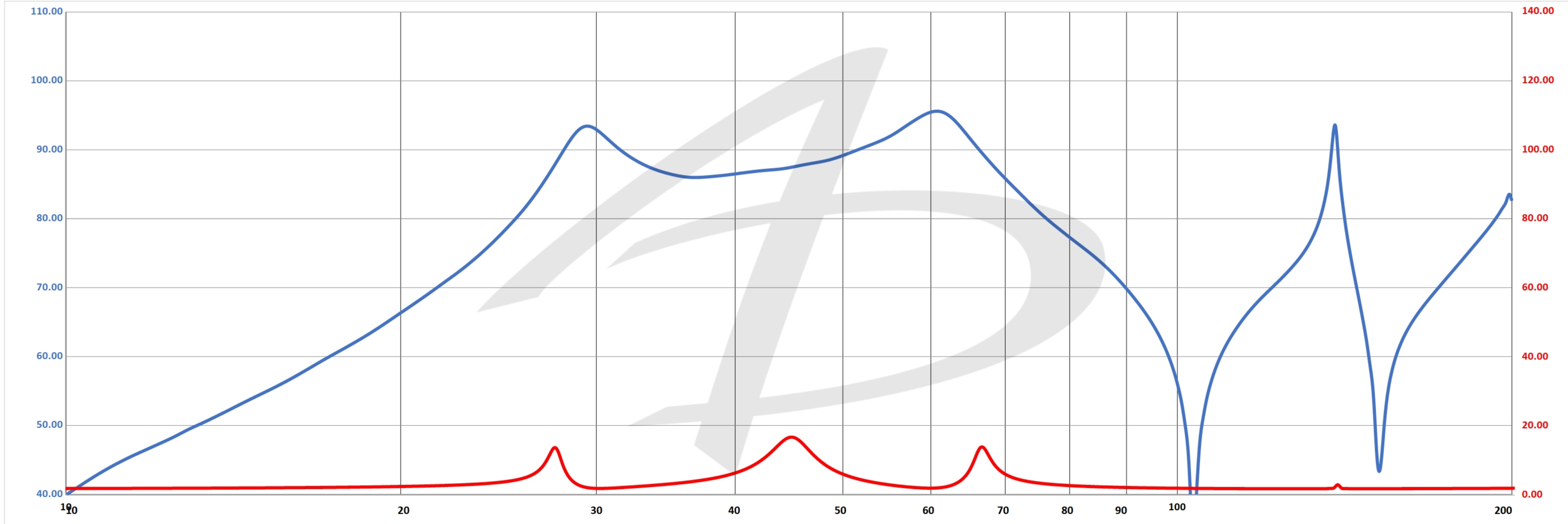
Special Notes
Mount the subs with the motors protruding into the upper chamber.

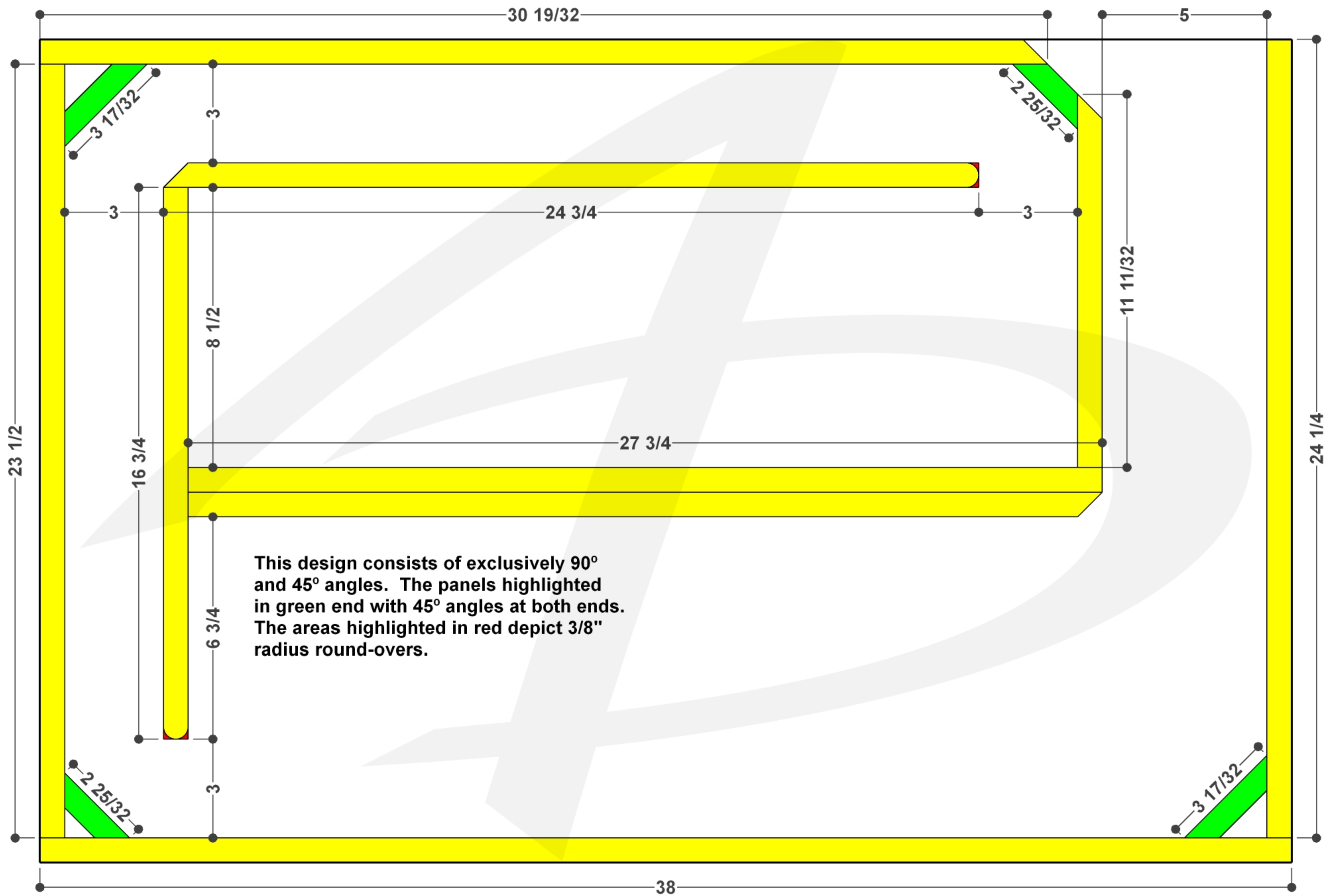
Amplifier Information	
Continuous Power Handling	2,000 W
Subsonic Filter Setting	28 Hz
Low Pass Filter Setting	60 Hz

Subwoofer Information	
Make	Audio Dynamics
Model	AD6012 D2
Quantity	2

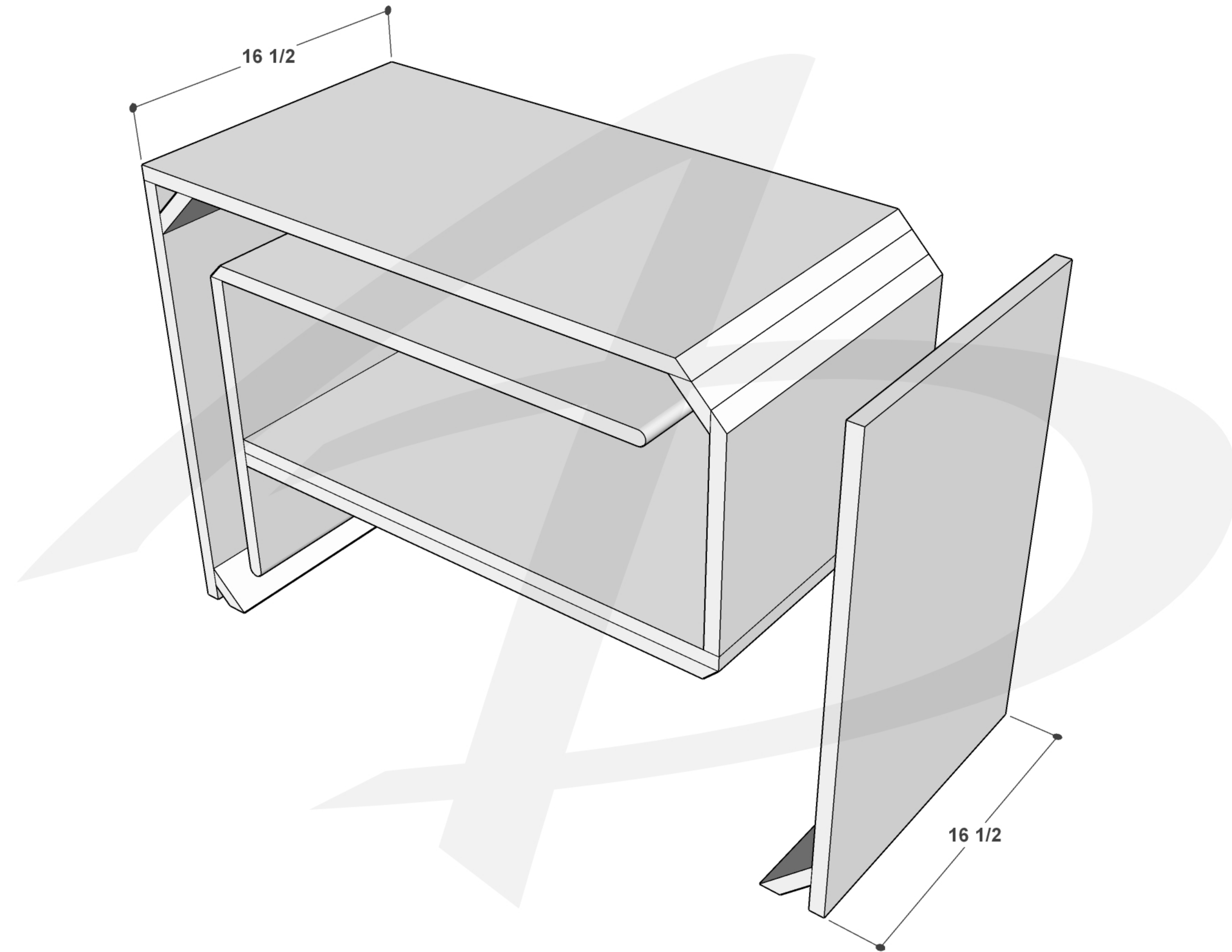
Performance Information	
SQ	Within the Vehicle
<input checked="" type="checkbox"/> SQL	<input checked="" type="checkbox"/> Outside the Vehicle
SPL	Metering Position

Metering Information		
Headrest	Peak Frequency	Hz
Dash / Windshield		
Foot Well		



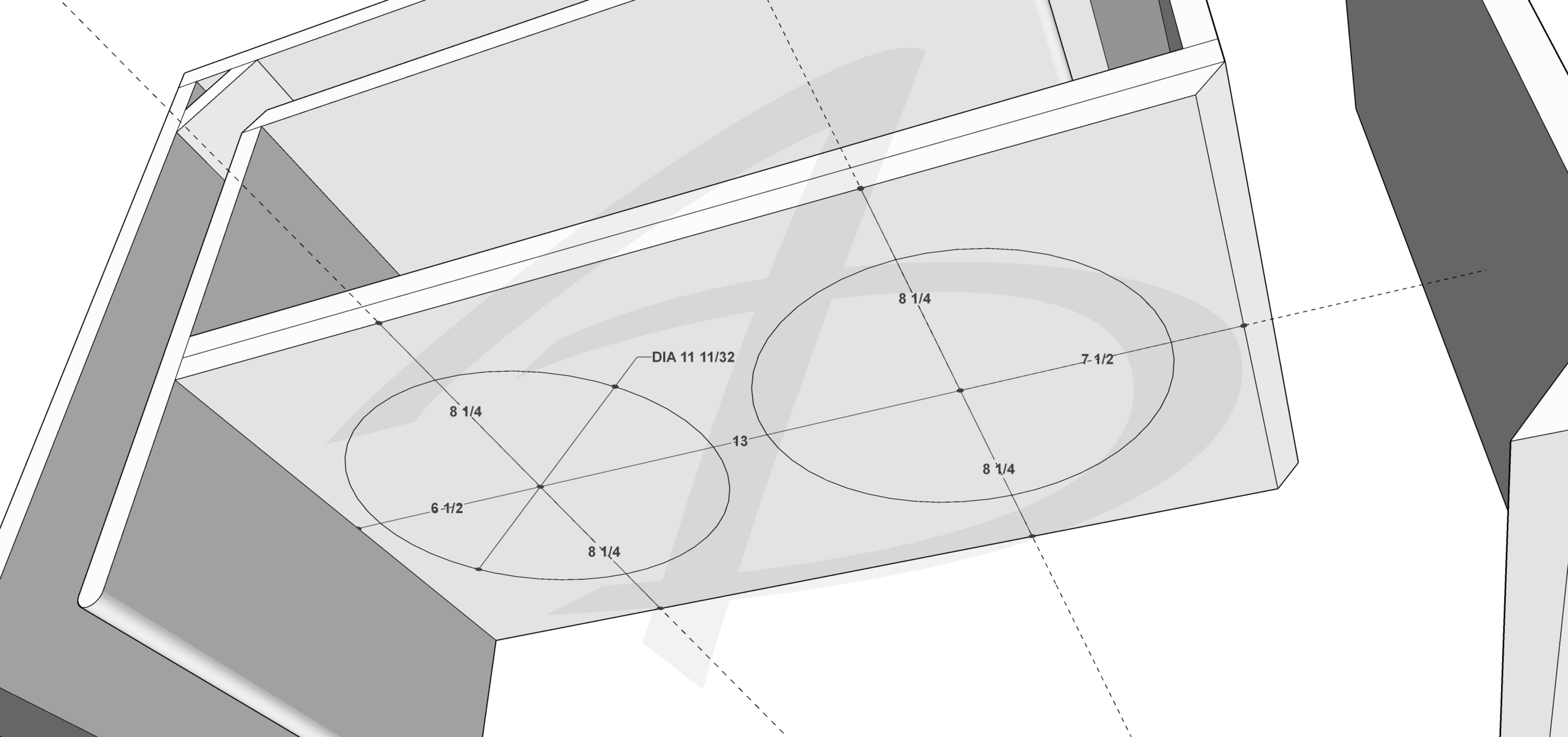


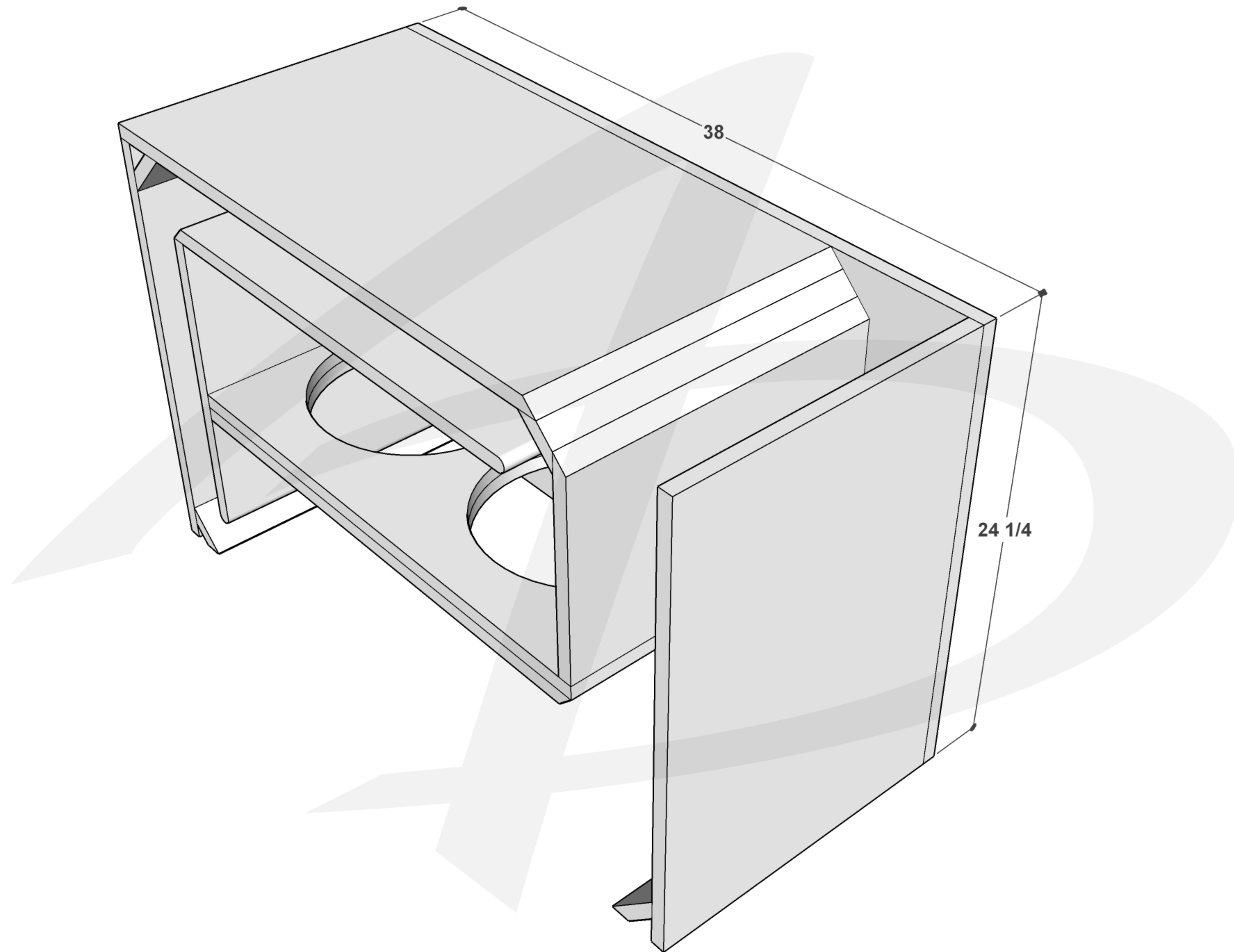
This design consists of exclusively 90° and 45° angles. The panels highlighted in green end with 45° angles at both ends. The areas highlighted in red depict 3/8" radius round-overs.



16 1/2

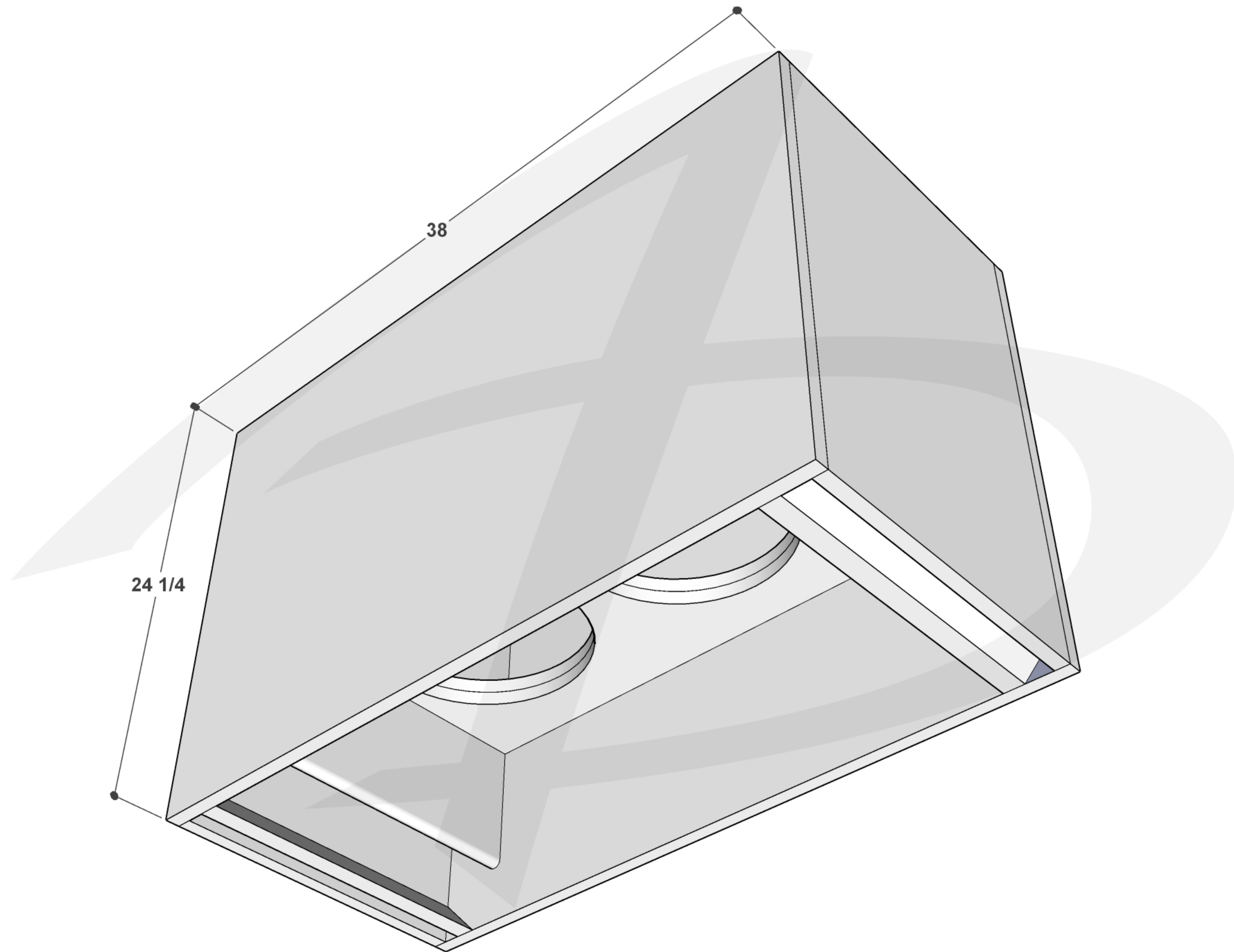
16 1/2

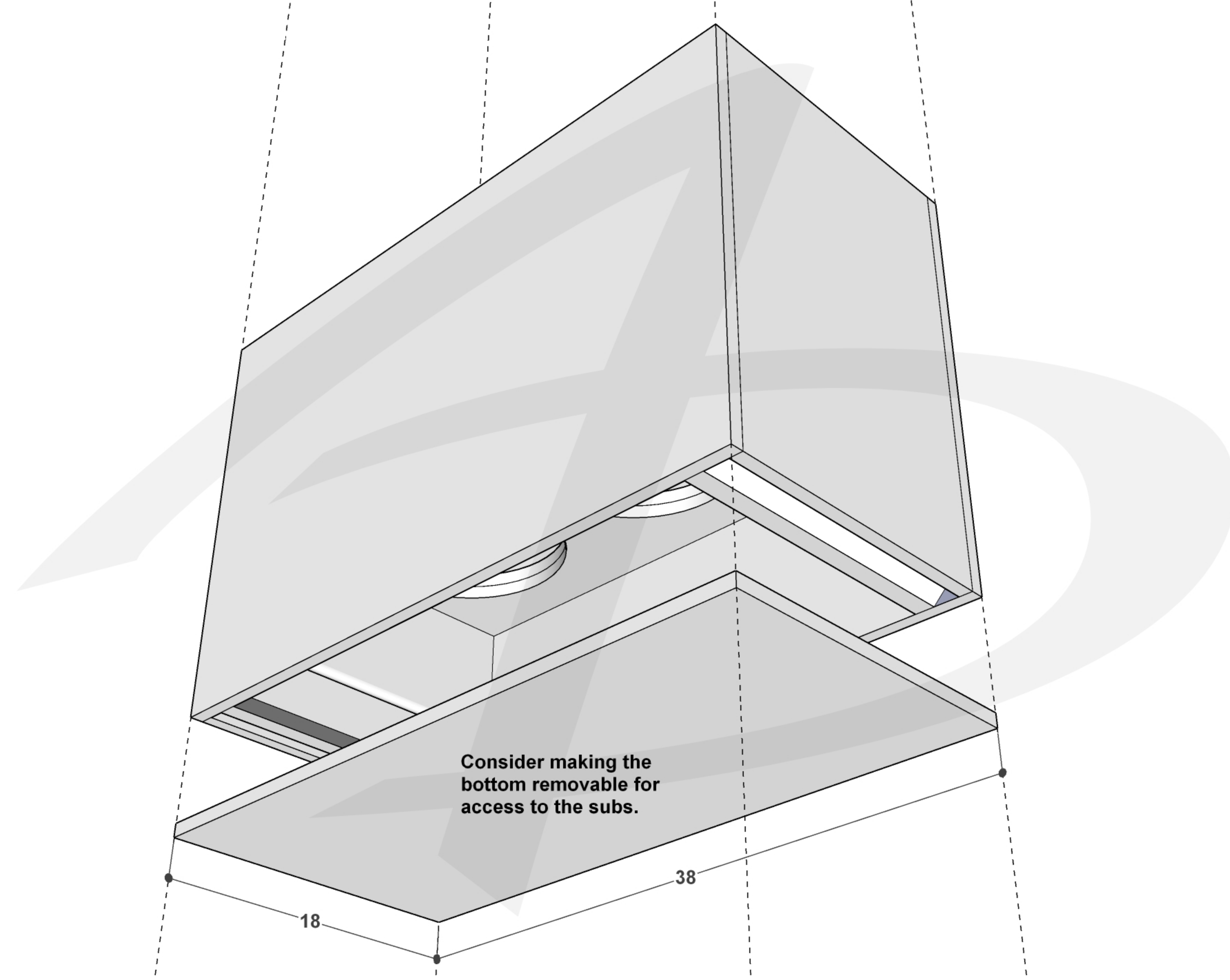




38

24 1/4

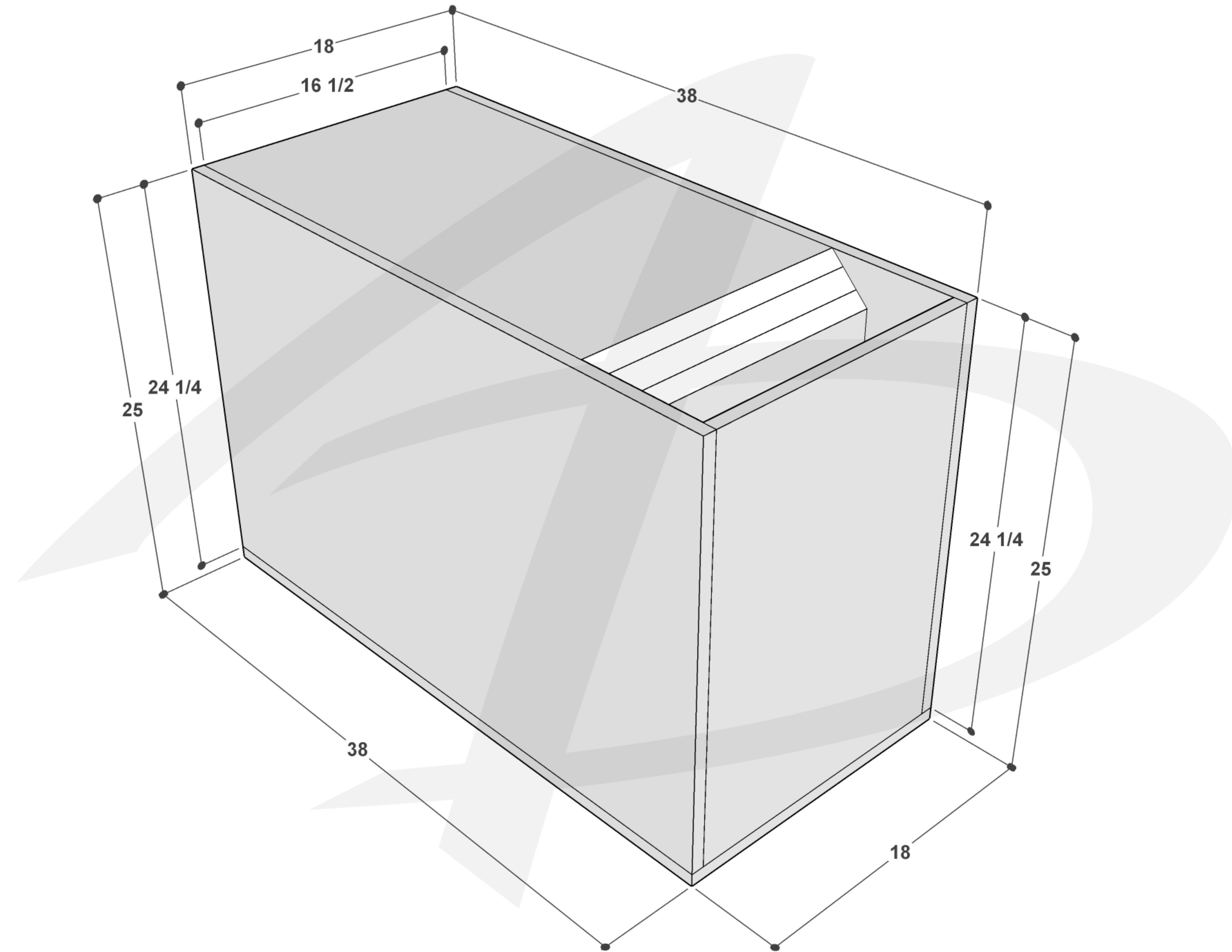




Consider making the  
bottom removable for  
access to the subs.

18

38



18

16 1/2

38

25

24 1/4

24 1/4

25

38

18



