



AUDIO DYNAMICS

Vehicle Information	
Year	Unspecified
Make	Unspecified
Model	Unspecified

Enclosure Information	
Design Type	Bass-Reflex
Placement	Cargo area
Orientation	Position the enclosure with the subs directed rearward, vent along the passenger side.

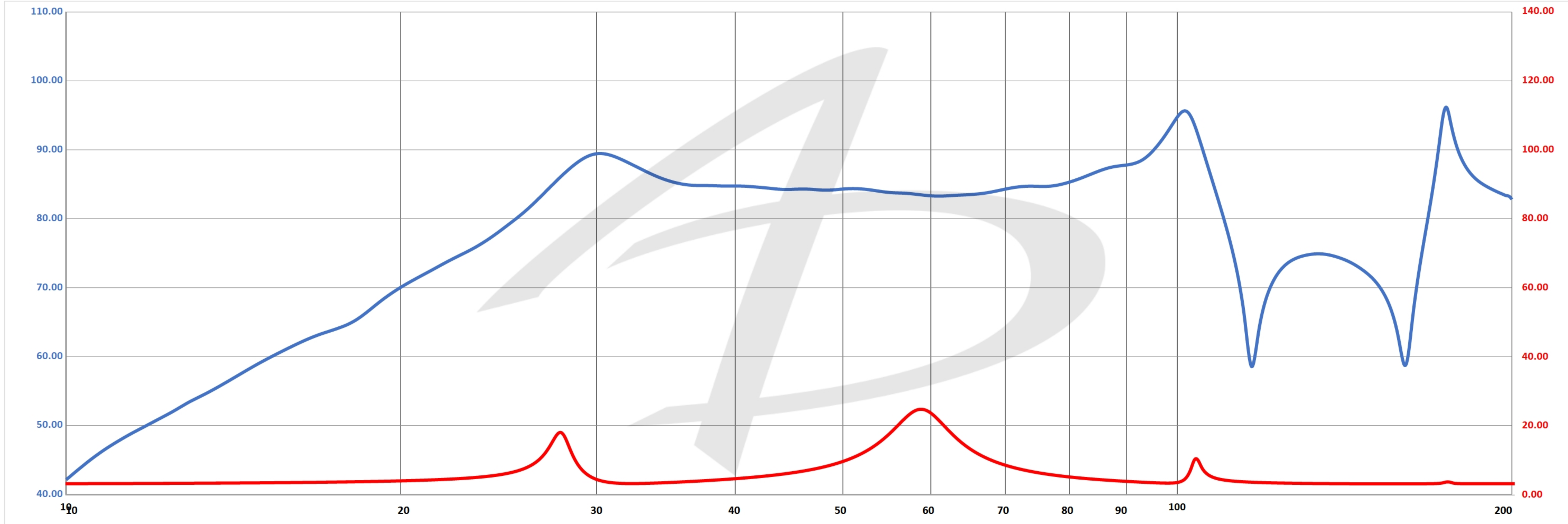
Special Notes

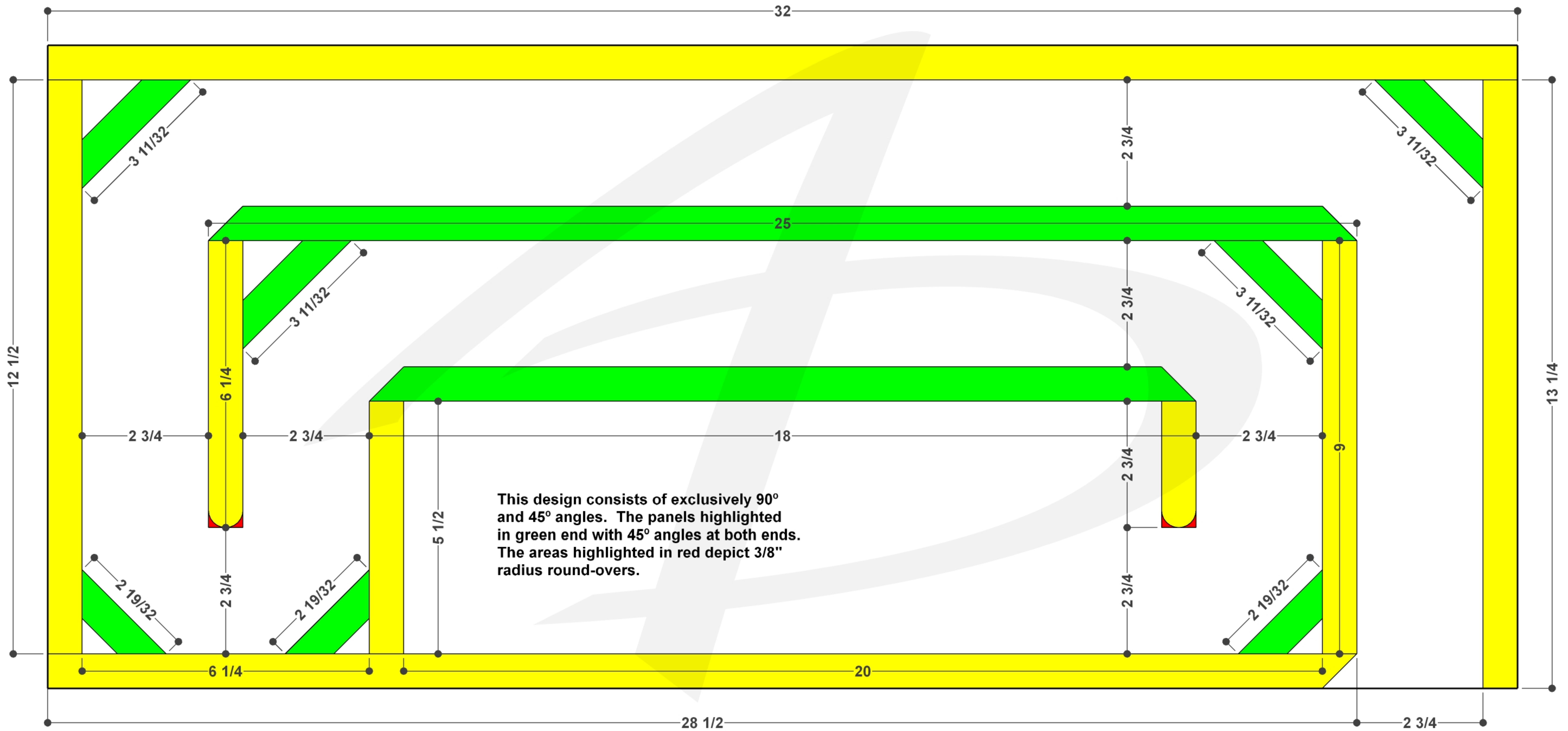
Amplifier Information	
Continuous Power Handling	1,200 W
Subsonic Filter Setting	30 Hz
Low Pass Filter Setting	55 Hz

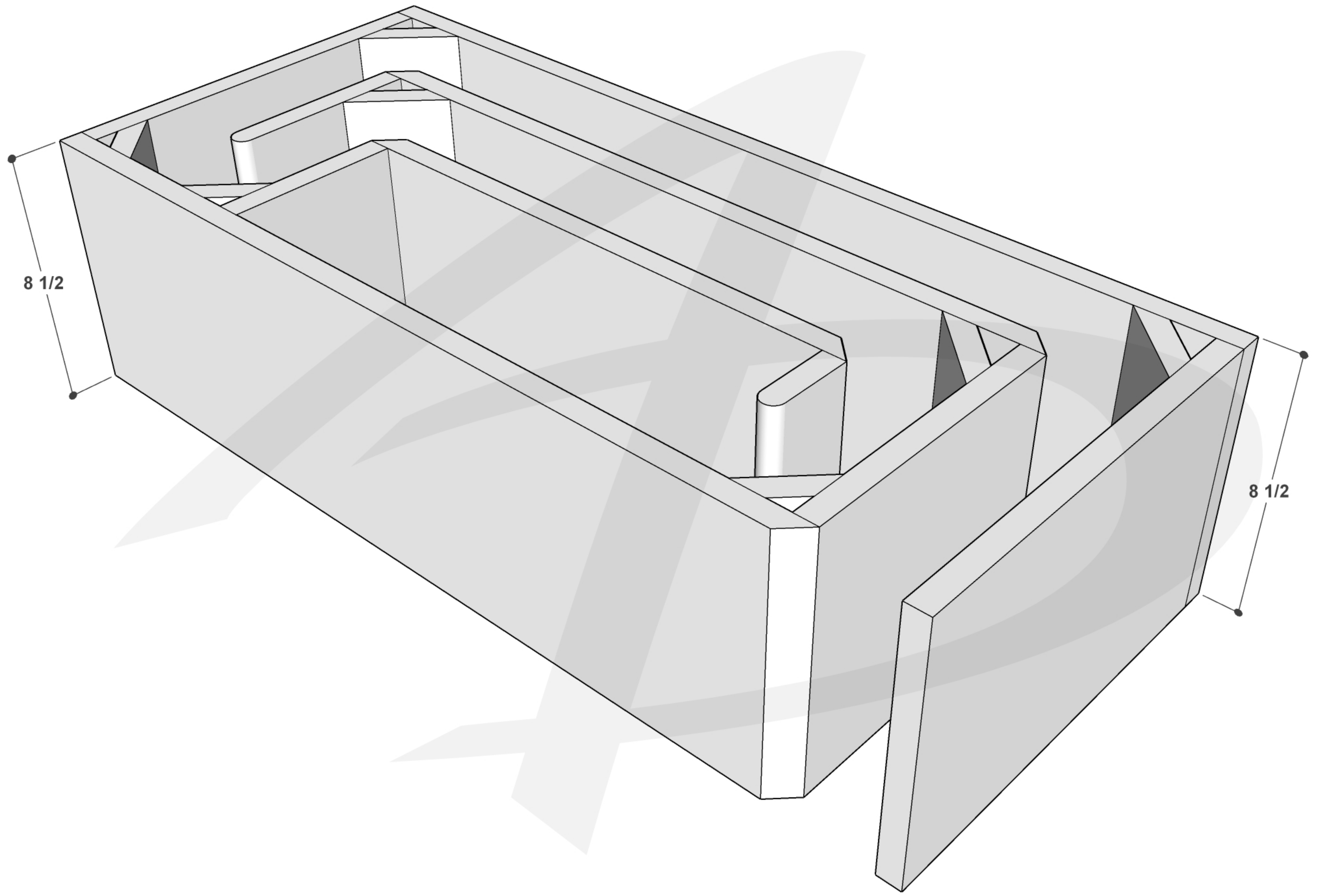
Subwoofer Information	
Make	Audio Dynamics
Model	AD3008 D4
Quantity	2

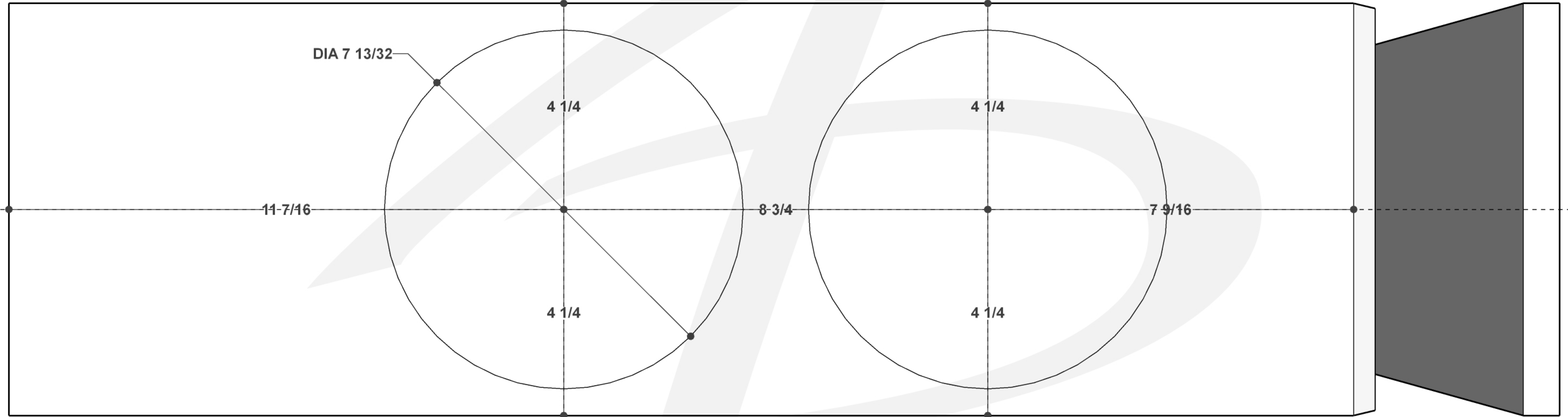
Performance Information	
SQ	<input checked="" type="checkbox"/> Within the Vehicle
<input checked="" type="checkbox"/> SQL	Outside the Vehicle
SPL	Metering Position

Metering Information		
Headrest	Peak Frequency	Hz
Dash / Windshield		
Foot Well		









DIA $7 \frac{13}{32}$

$4 \frac{1}{4}$

$4 \frac{1}{4}$

$11 \frac{7}{16}$

$8 \frac{3}{4}$

$7 \frac{9}{16}$

$4 \frac{1}{4}$

$4 \frac{1}{4}$

