

| Vehicle Information |      |
|---------------------|------|
| Year                | 2020 |
| Make                | Ford |
| Model               | F250 |

| Enclosure Information |  |
|-----------------------|--|
| Design Type           | Bass-Reflex  |
| Placement             | Under Seat   |
| Orientation           | Position the enclosure with the subs directed forward along the passenger side, vent directed toward the passenger side. |



**AUDIO DYNAMICS**

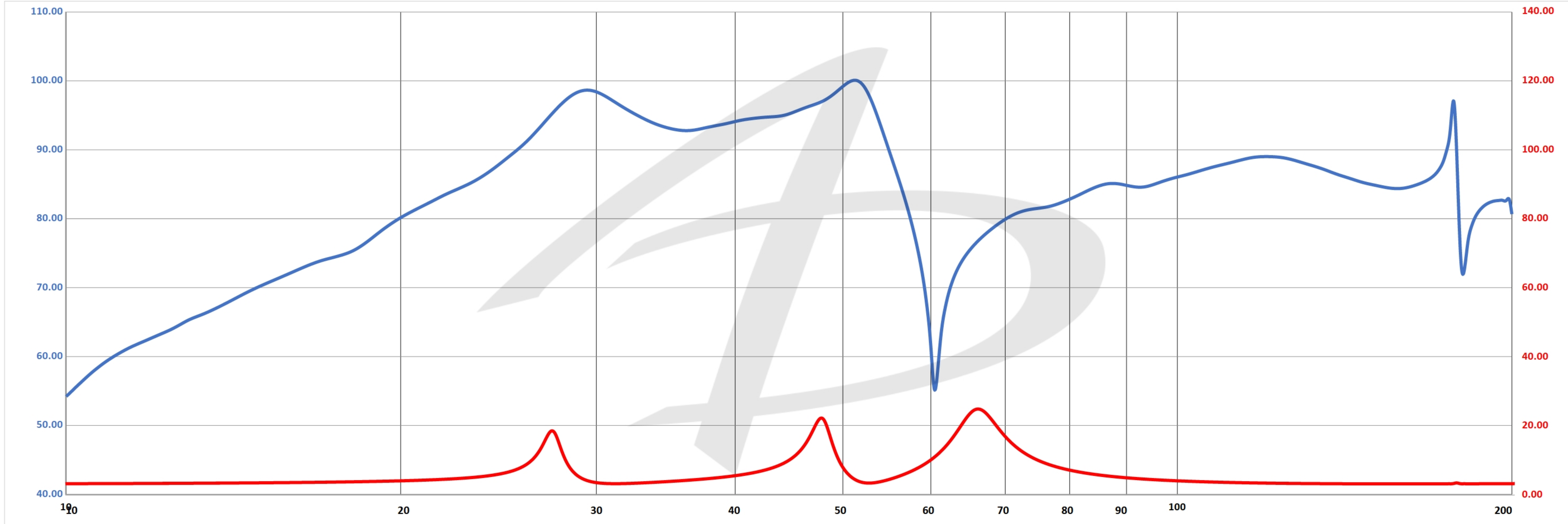
| Special Notes |  |
|---------------|--|
|               |  |

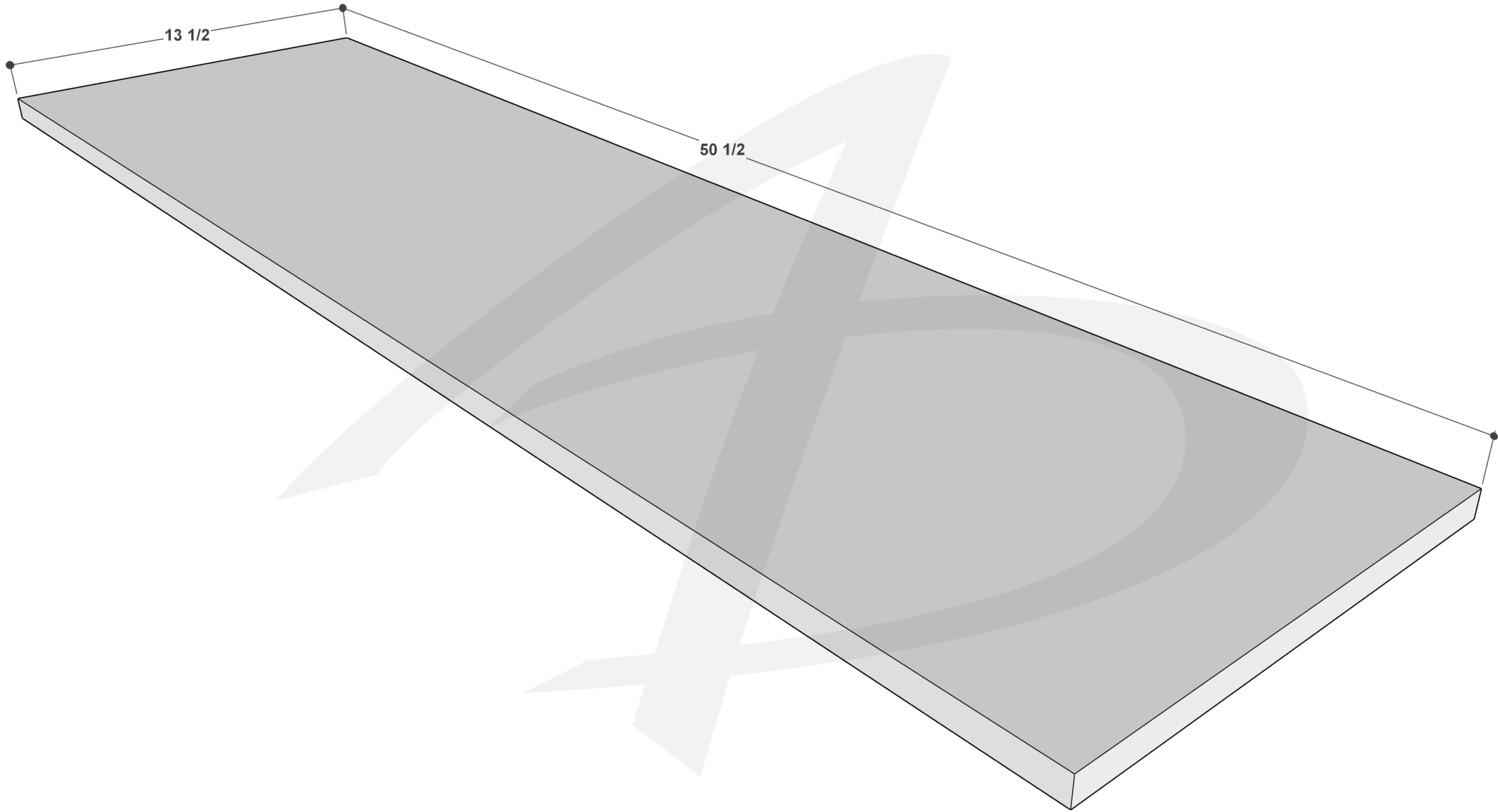
| Amplifier Information     |         |
|---------------------------|---------|
| Continuous Power Handling | 1,200 W |
| Subsonic Filter Setting   | 27 Hz   |
| Low Pass Filter Setting   | 55 Hz   |

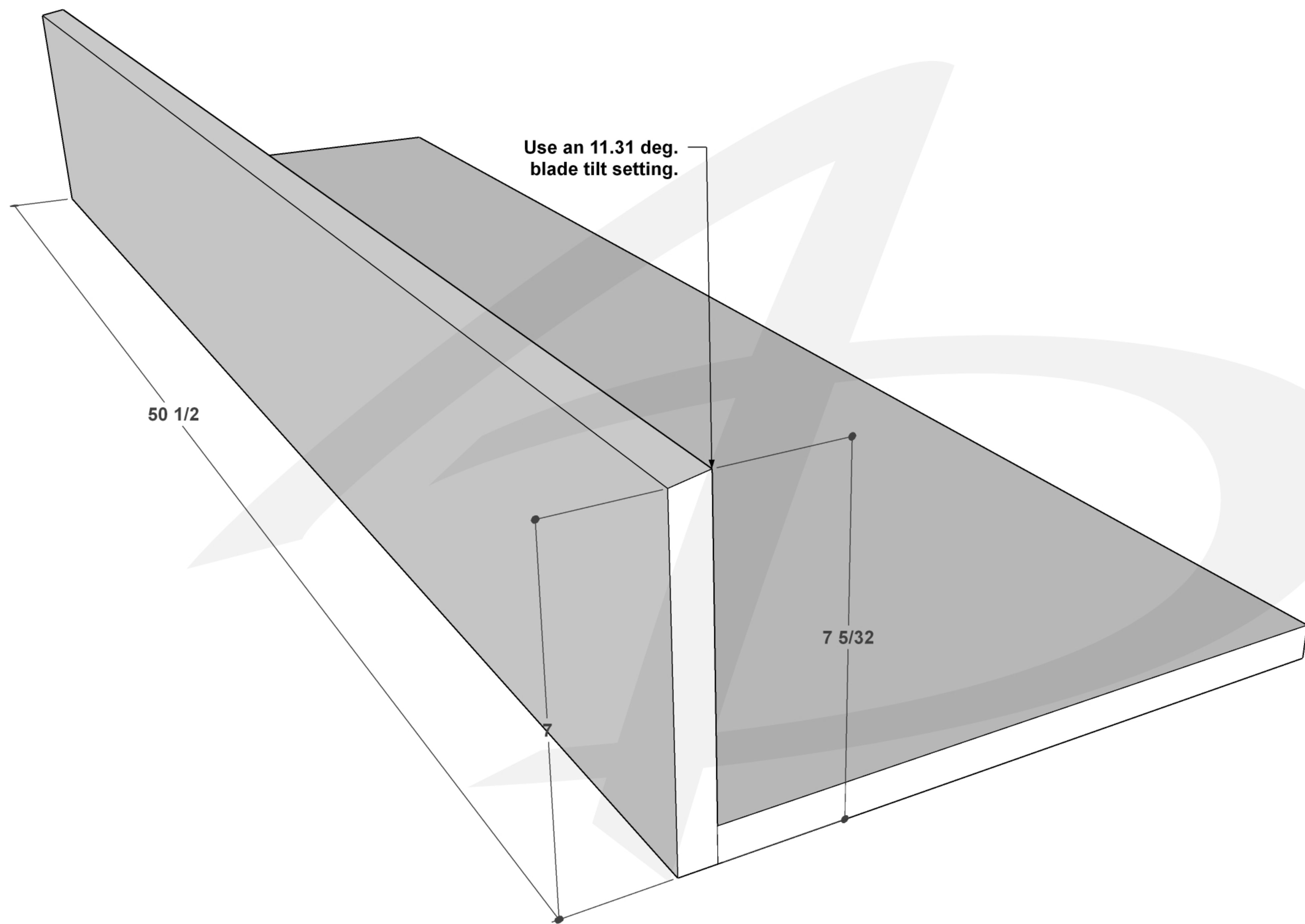
| Subwoofer Information |                |
|-----------------------|----------------|
| Make                  | Audio Dynamics |
| Model                 | AD3008 D4      |
| Quantity              | 2              |

| Performance Information                 |  |
|---|--|
| SQ                                      | <input checked="" type="checkbox"/> Within the Vehicle |
| <input checked="" type="checkbox"/> SQL | Outside the Vehicle                                    |
| SPL                                     | Metering Position                                      |

| Metering Information |                |    |
|----------------------|----------------|----|
| Headrest             | Peak Frequency | Hz |
| Dash / Windshield    |                |    |
| Foot Well            |                |    |





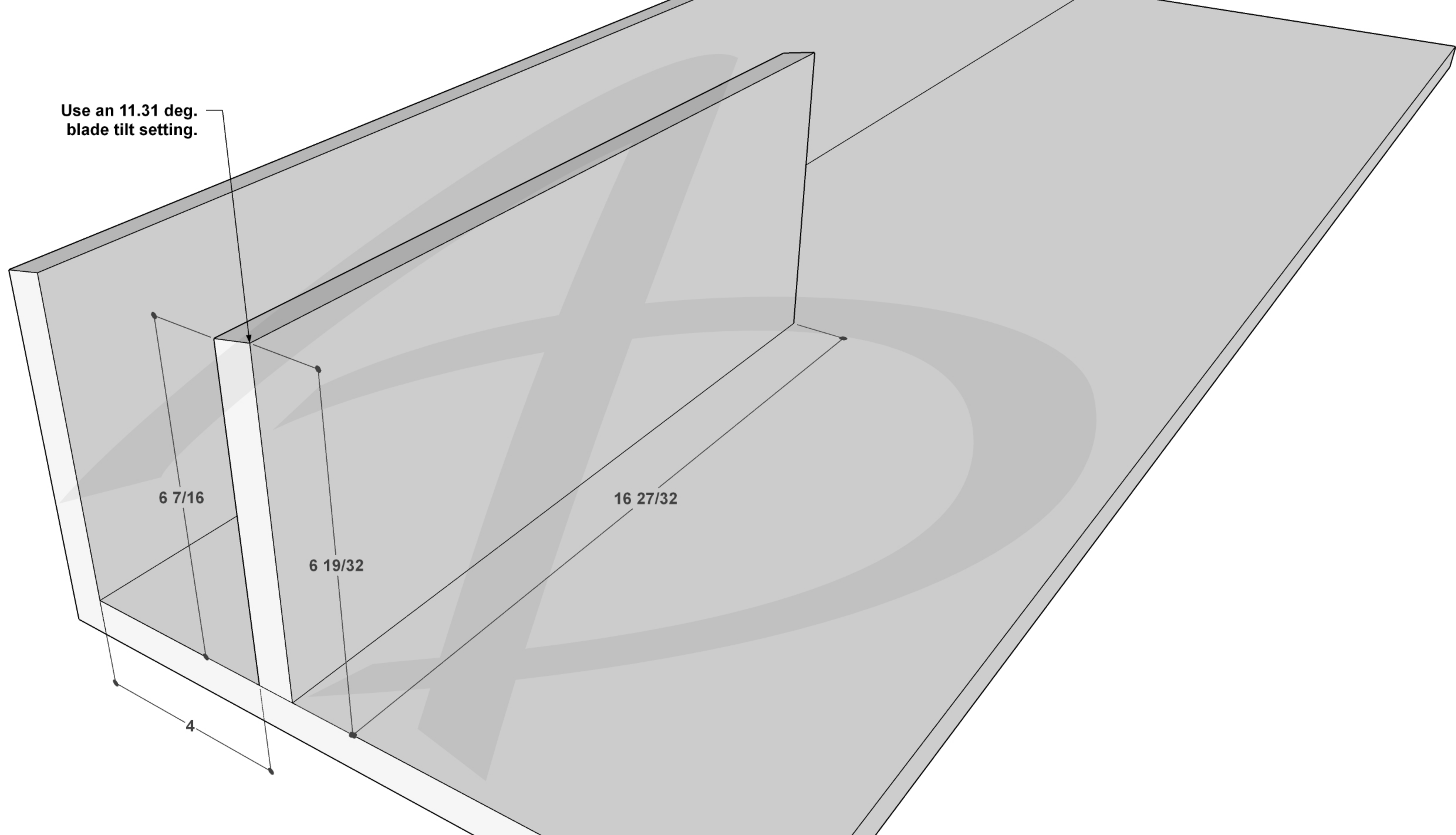


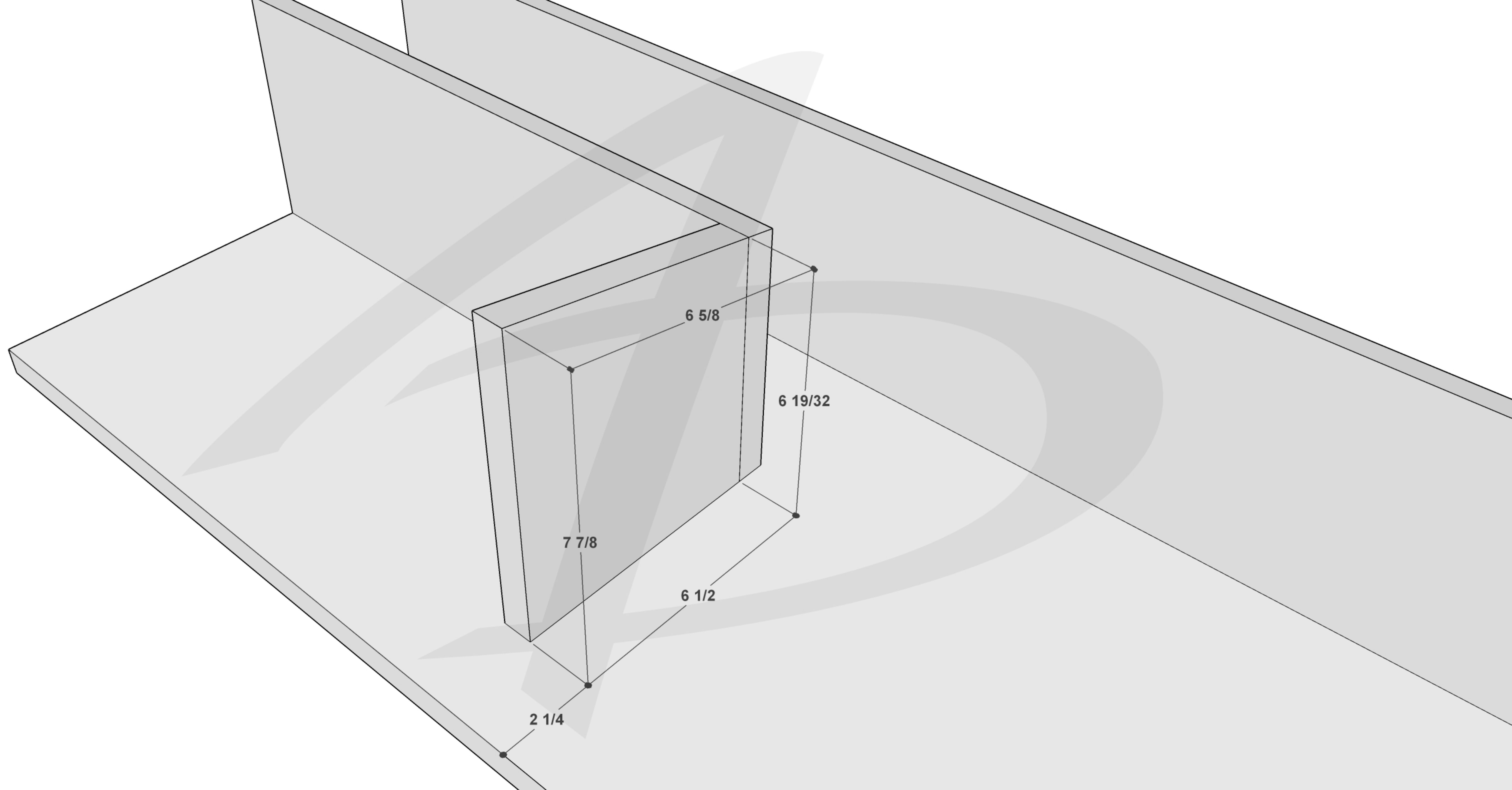
$50 \frac{1}{2}$

Use an 11.31 deg.  
blade tilt setting.

$7$

$7 \frac{5}{32}$





$2 \frac{1}{4}$

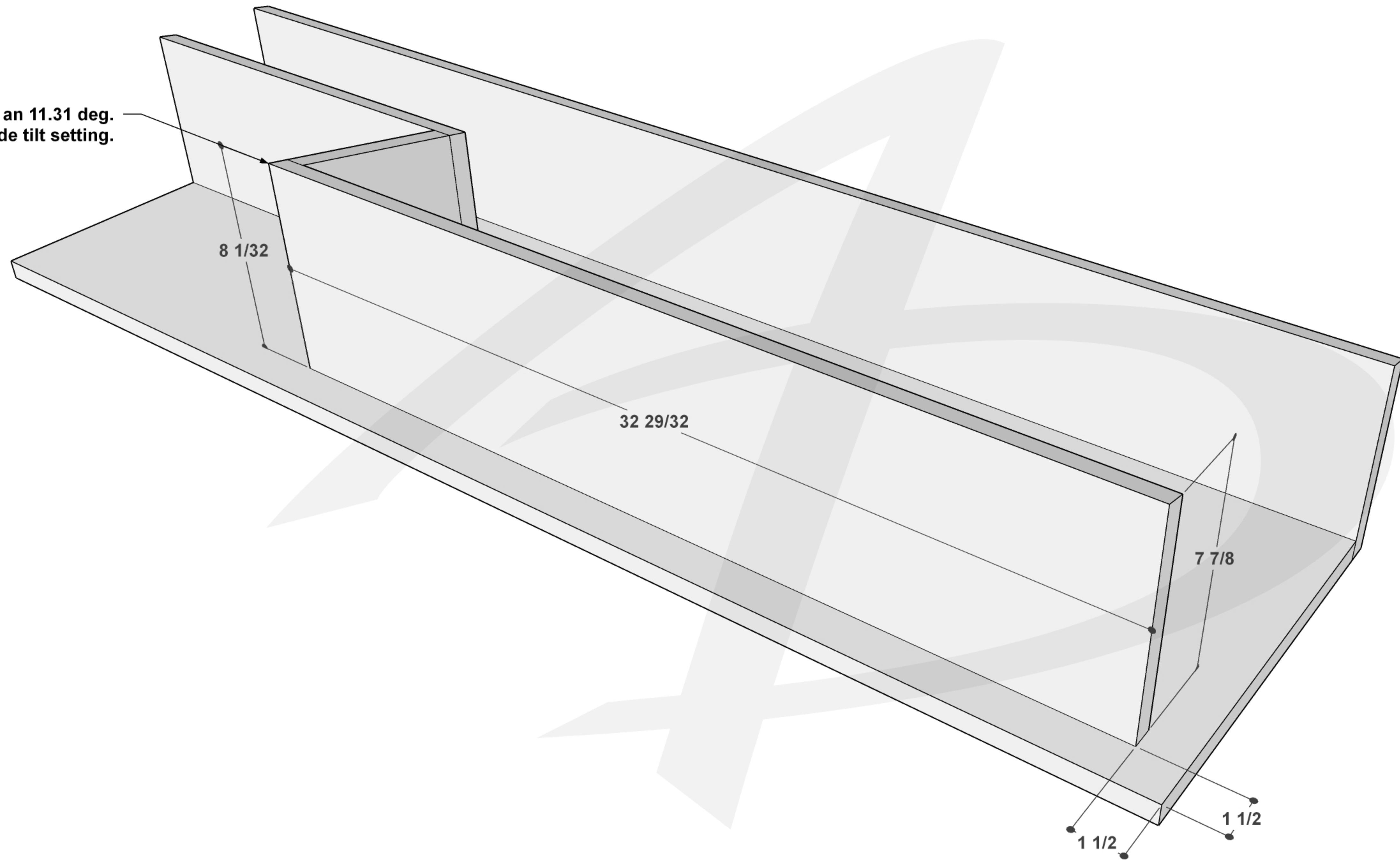
$7 \frac{7}{8}$

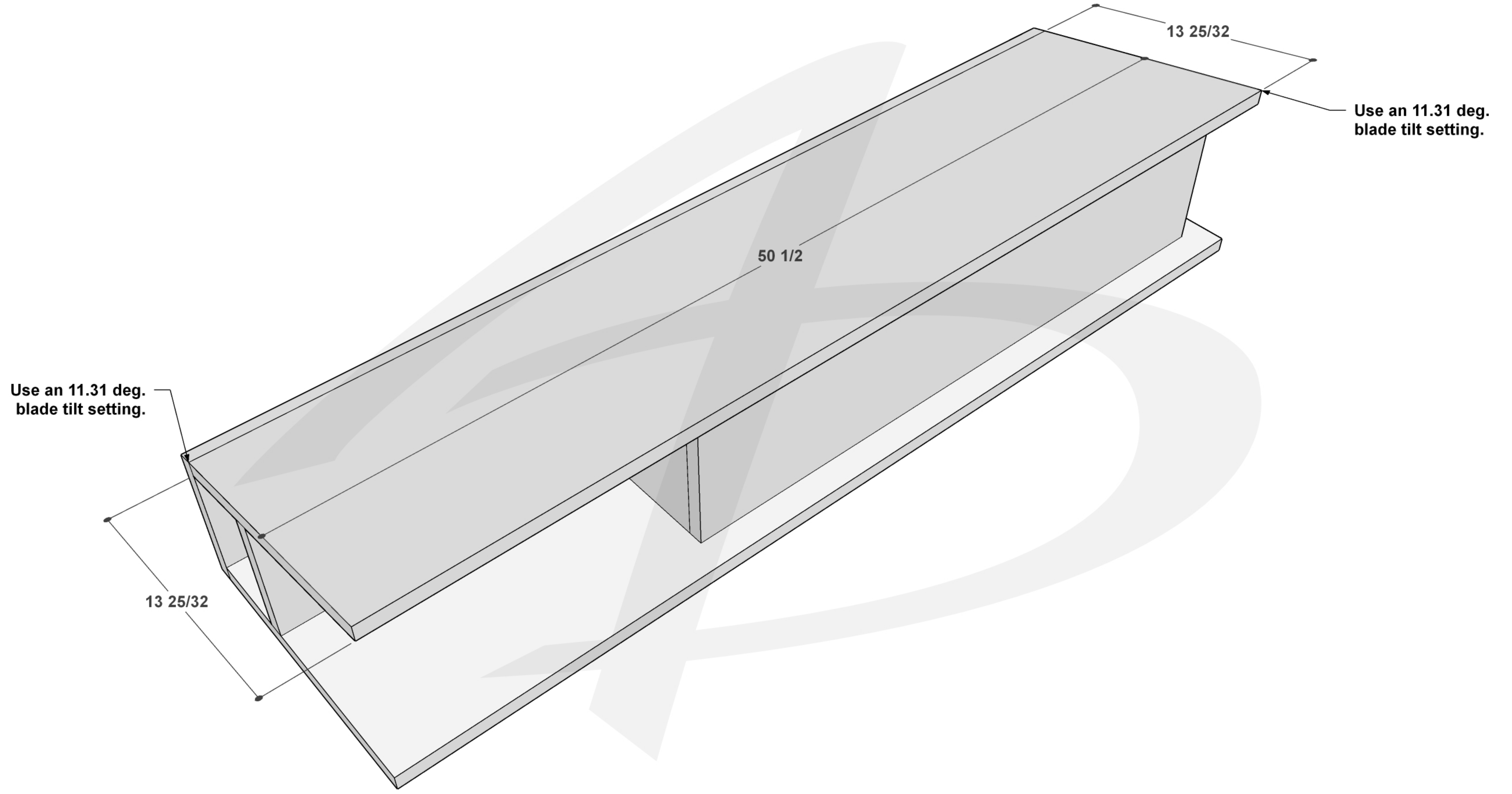
$6 \frac{1}{2}$

$6 \frac{5}{8}$

$6 \frac{19}{32}$

Use an 11.31 deg.  
blade tilt setting.





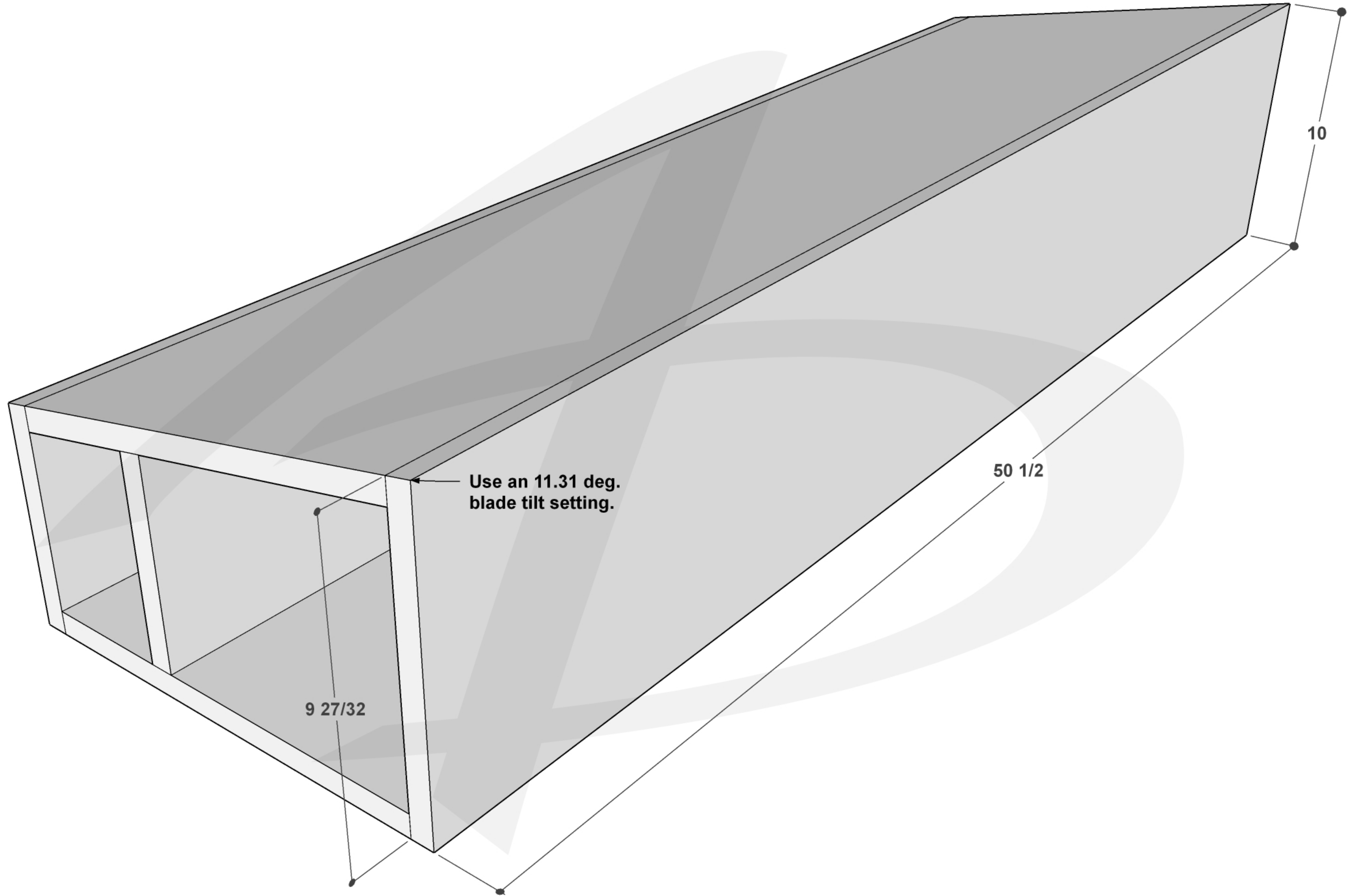
$13 \frac{25}{32}$

Use an 11.31 deg. blade tilt setting.

$50 \frac{1}{2}$

Use an 11.31 deg. blade tilt setting.

$13 \frac{25}{32}$



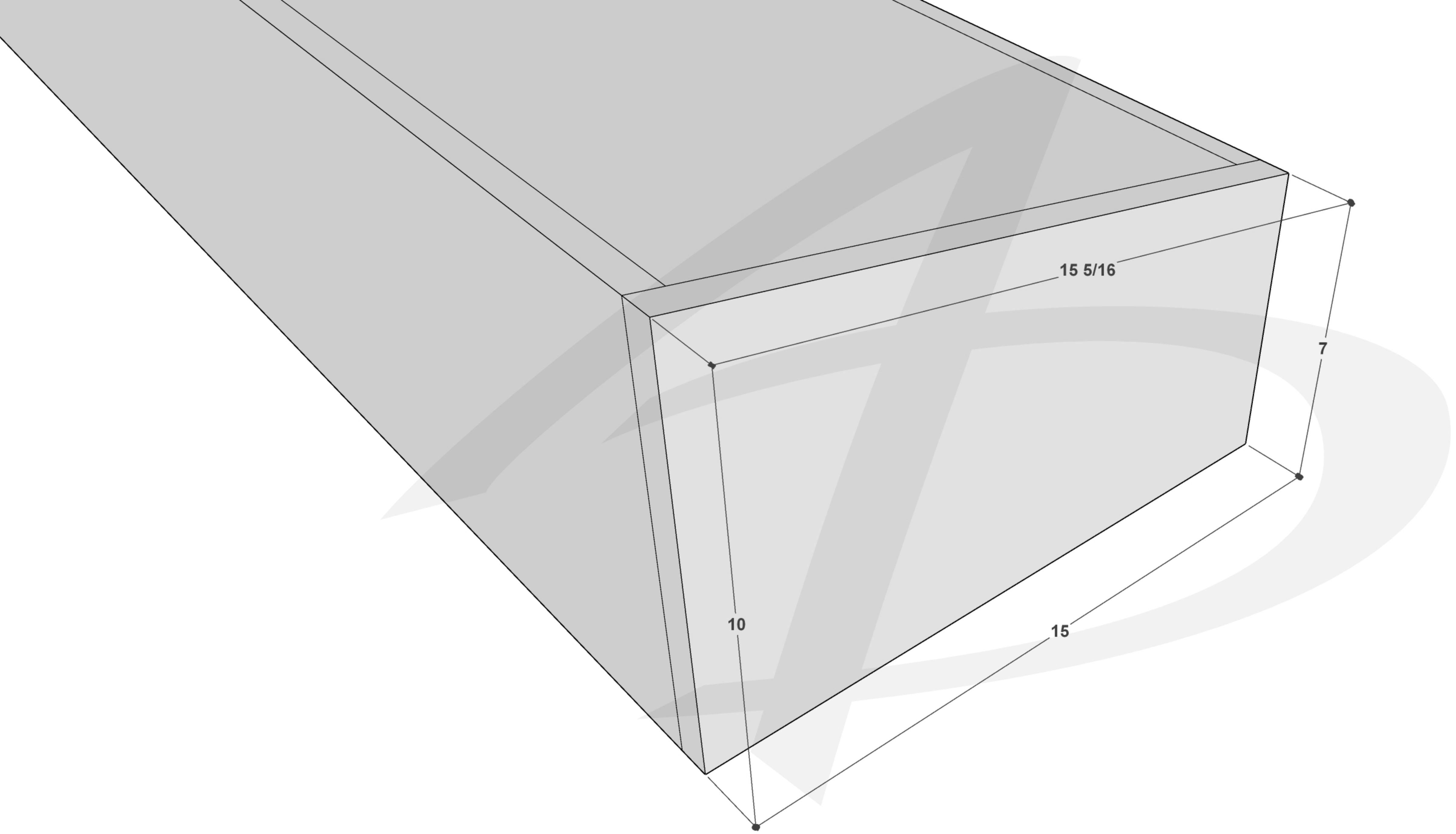
10

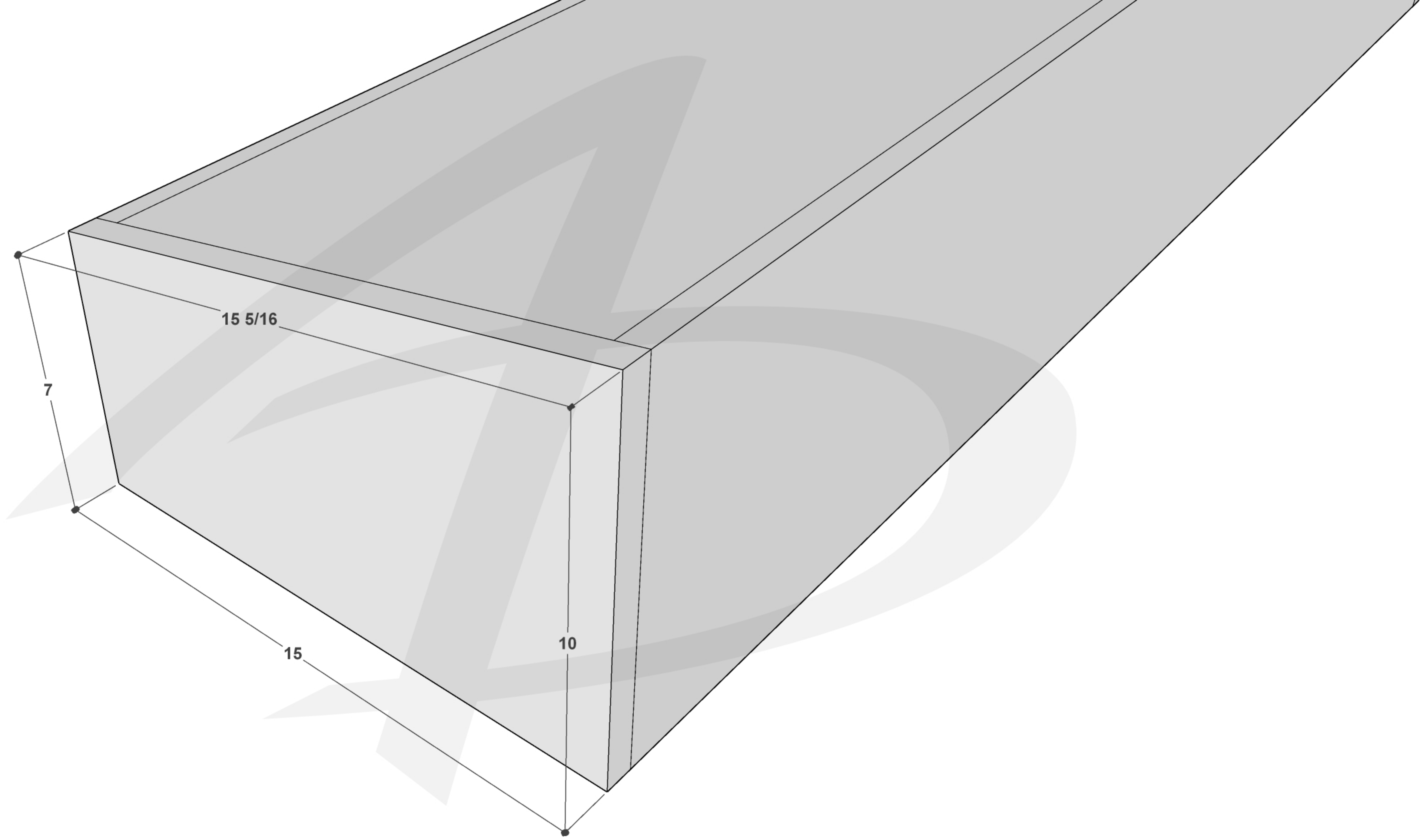
$50 \frac{1}{2}$

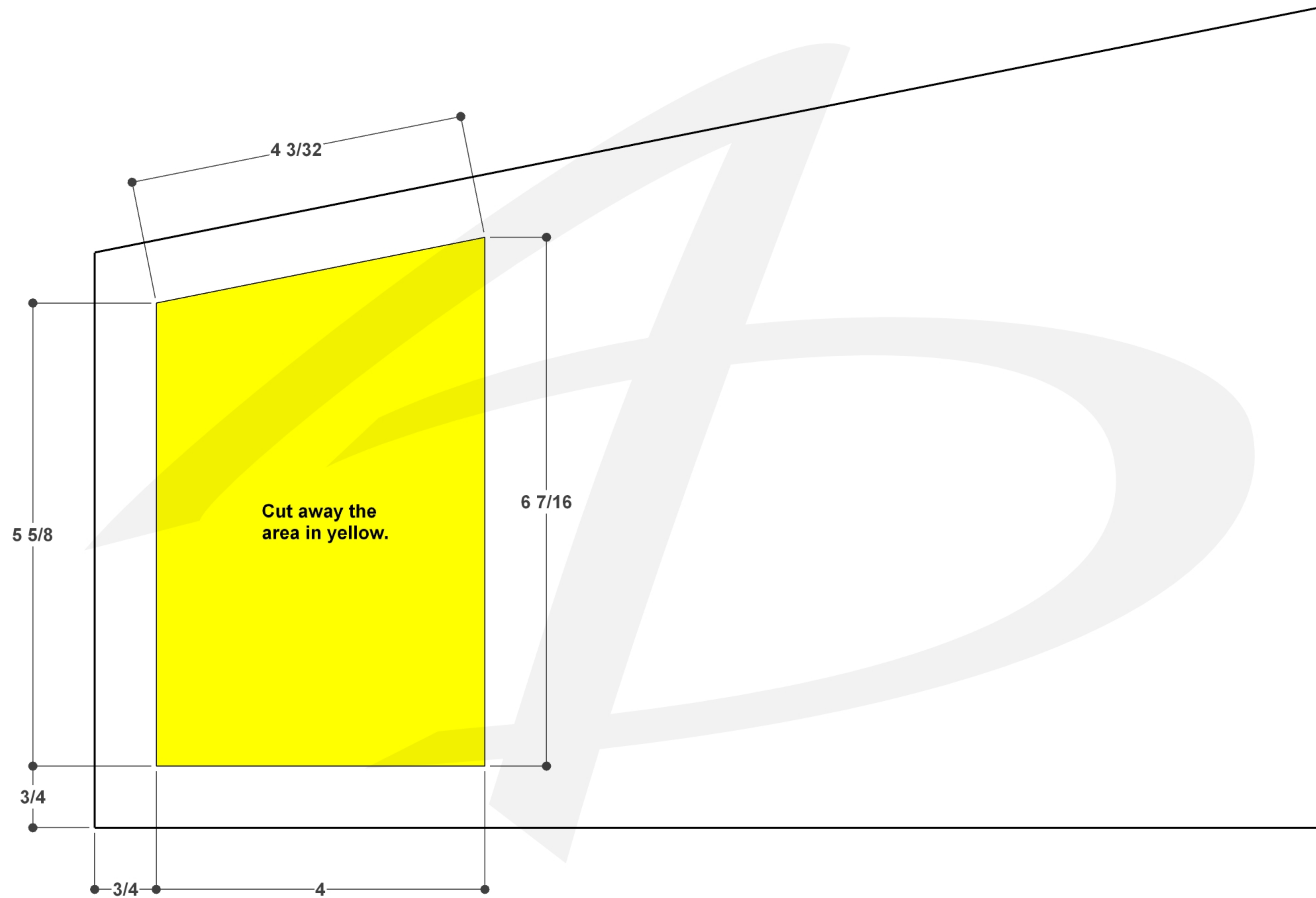
$9 \frac{27}{32}$

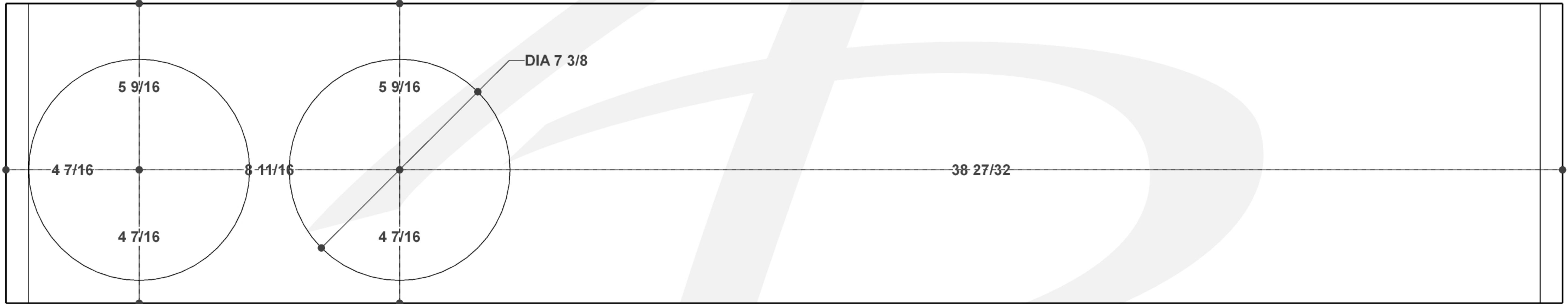
Use an 11.31 deg.  
blade tilt setting.











$4 \frac{7}{16}$

$4 \frac{7}{16}$

$4 \frac{7}{16}$

$8 \frac{11}{16}$

$5 \frac{9}{16}$

$4 \frac{7}{16}$

$5 \frac{9}{16}$

DIA  $7 \frac{3}{8}$

$38 \frac{27}{32}$

