



**AUDIO DYNAMICS**

Vehicle Information	
Year	Unspecified
Make	Unspecified
Model	Unspecified

Enclosure Information	
Design Type	Bass-Reflex
Placement	Cargo area
Orientation	Position the enclosure with the subs directed rearward, vent along the passenger side.

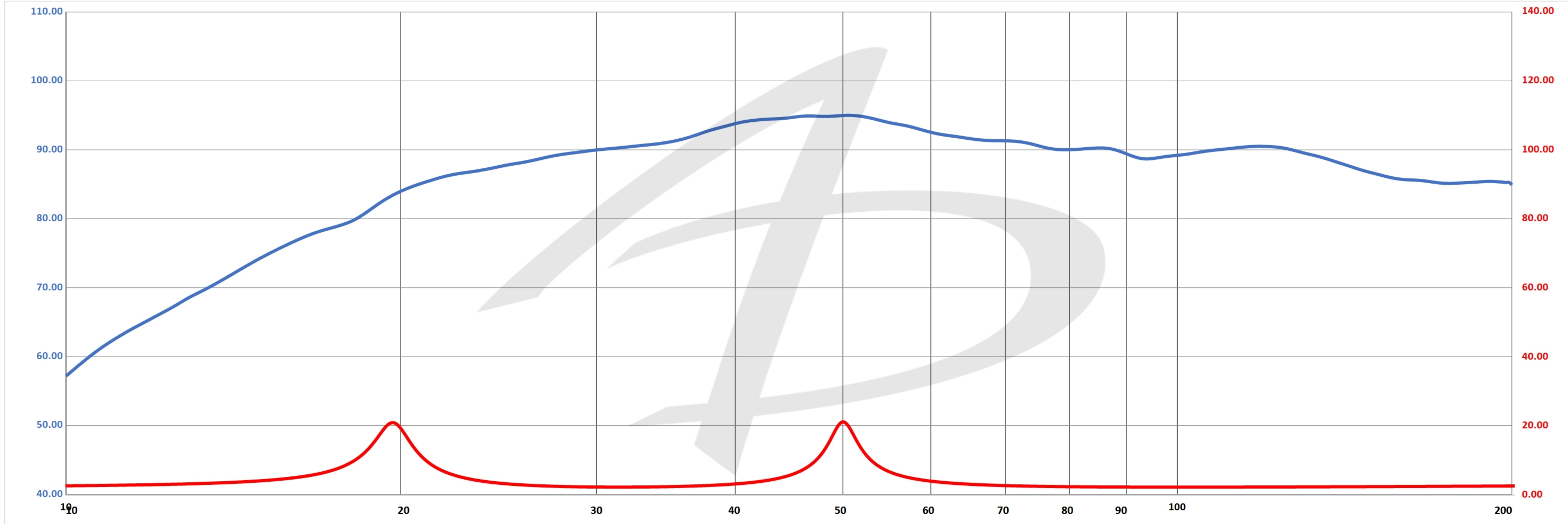
Special Notes

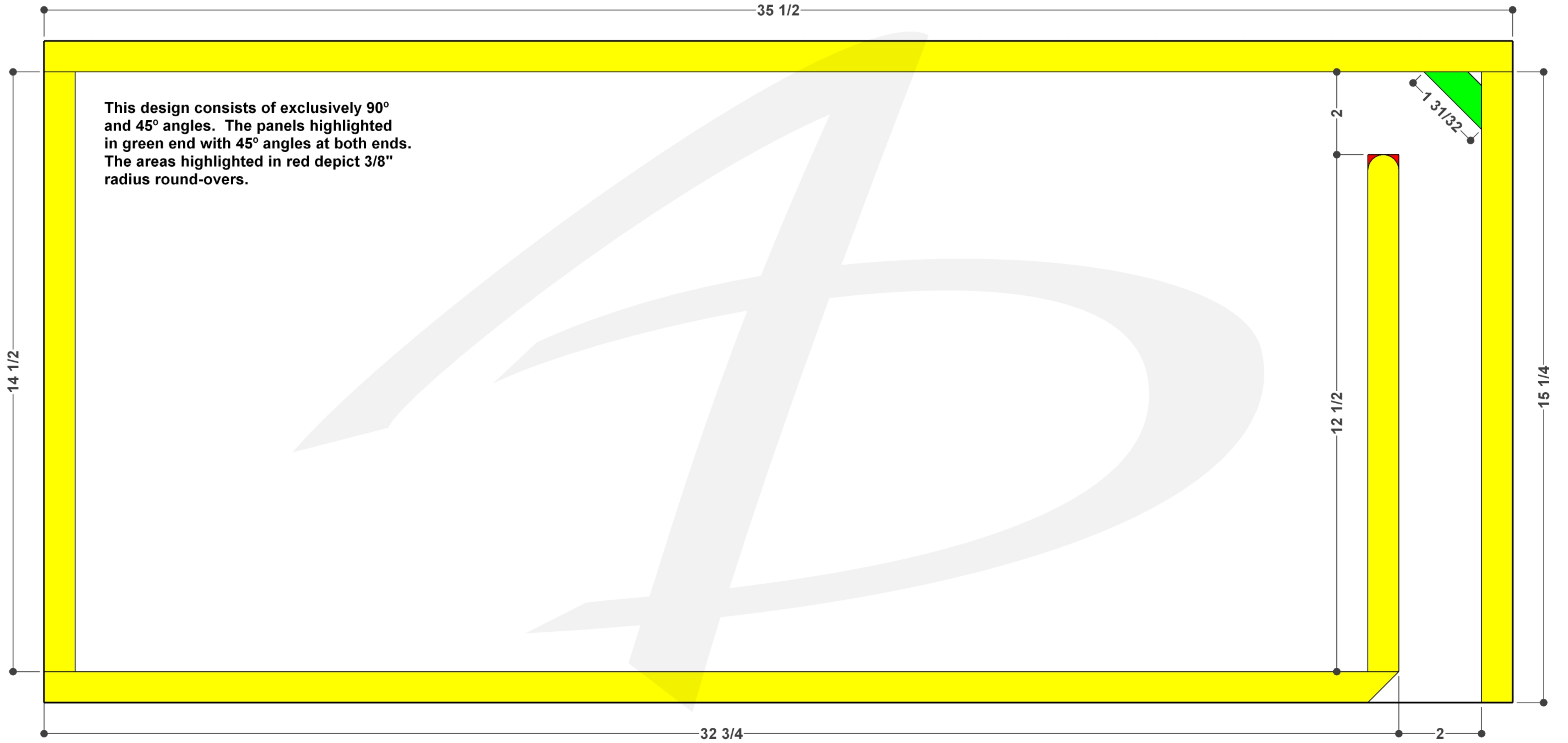
Amplifier Information	
Continuous Power Handling	1,200 W
Subsonic Filter Setting	30 Hz
Low Pass Filter Setting	65 Hz

Subwoofer Information	
Make	Audio Dynamics
Model	AD3015 D2
Quantity	2

Performance Information	
SQ	<input checked="" type="checkbox"/> Within the Vehicle
<input checked="" type="checkbox"/> SQL	Outside the Vehicle
SPL	Metering Position

Metering Information		
Headrest	Peak Frequency	Hz
Dash / Windshield		
Foot Well		





35 1/2

14 1/2

32 3/4

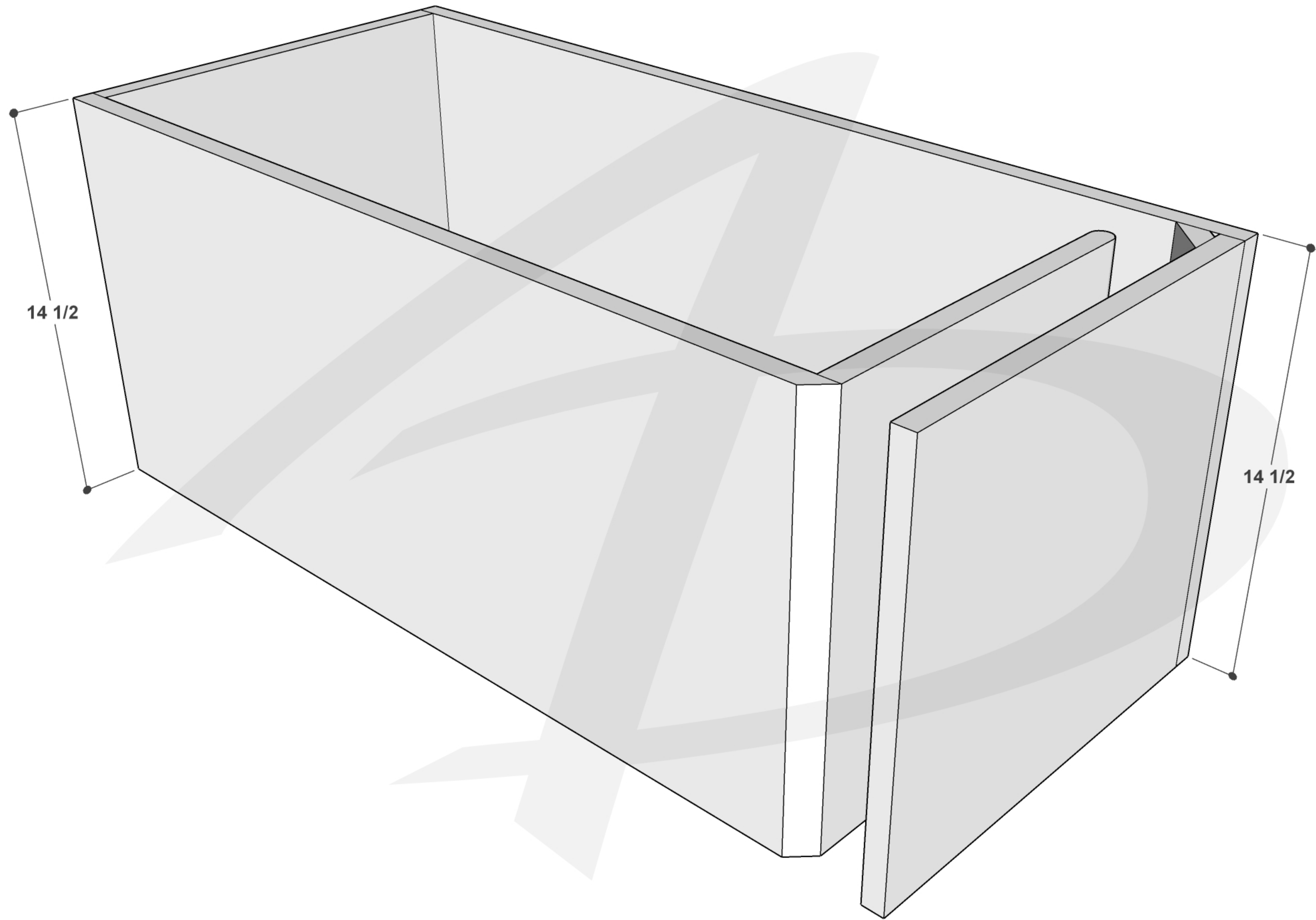
15 1/4

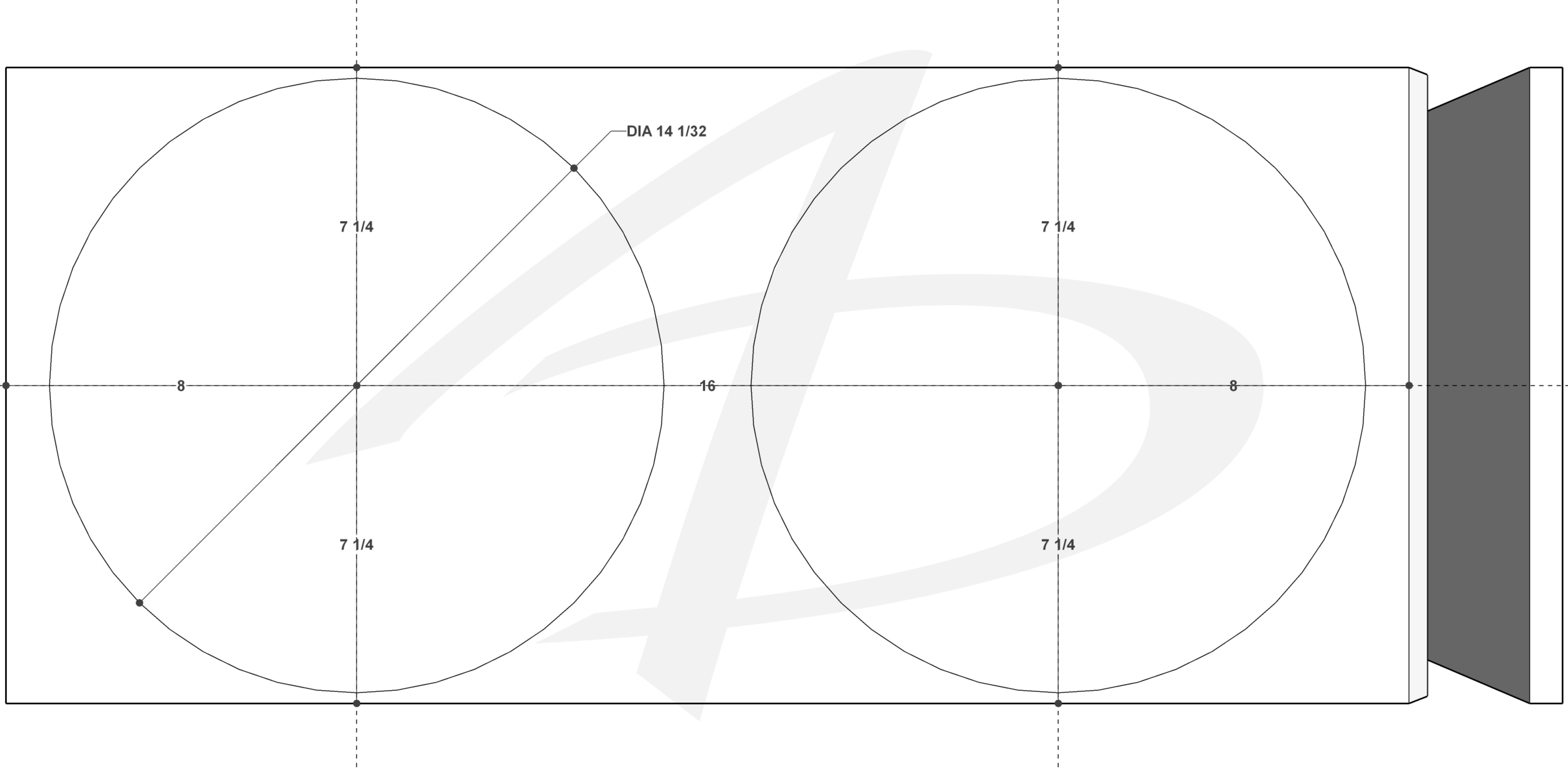
12 1/2

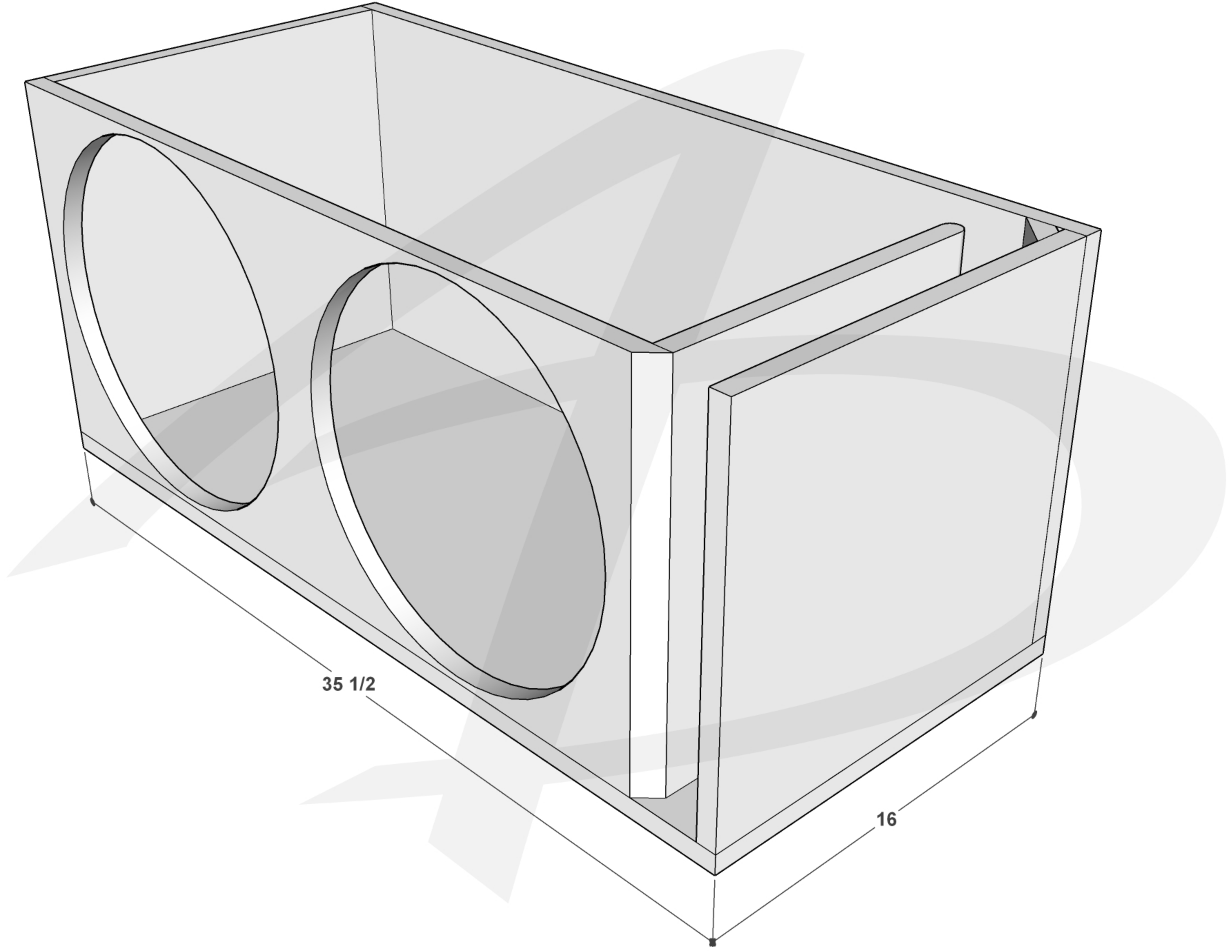
2

2

1 31/32







35 1/2

16

