

Vehicle Information	
Year	2012
Make	Scion
Model	Xb

Enclosure Information	
Design Type	Bass-Reflex
Placement	Cargo area
Orientation	Position the enclosure with the subs directed rearward, vents along the bottom.



AUDIO DYNAMICS

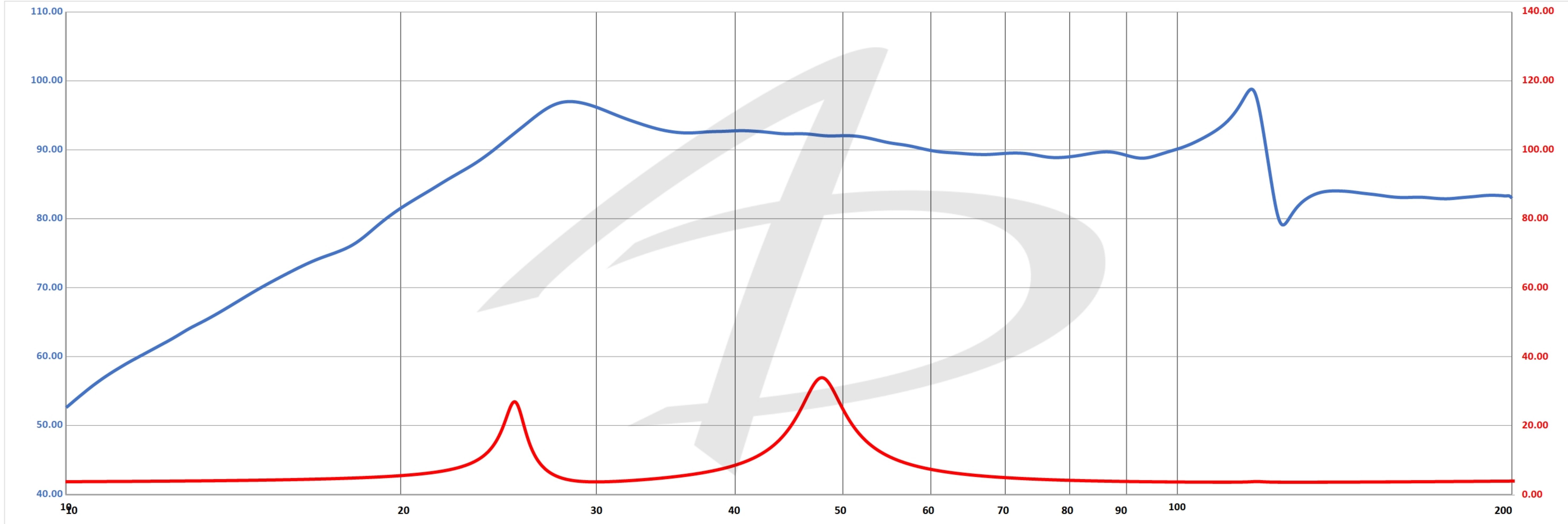
Special Notes

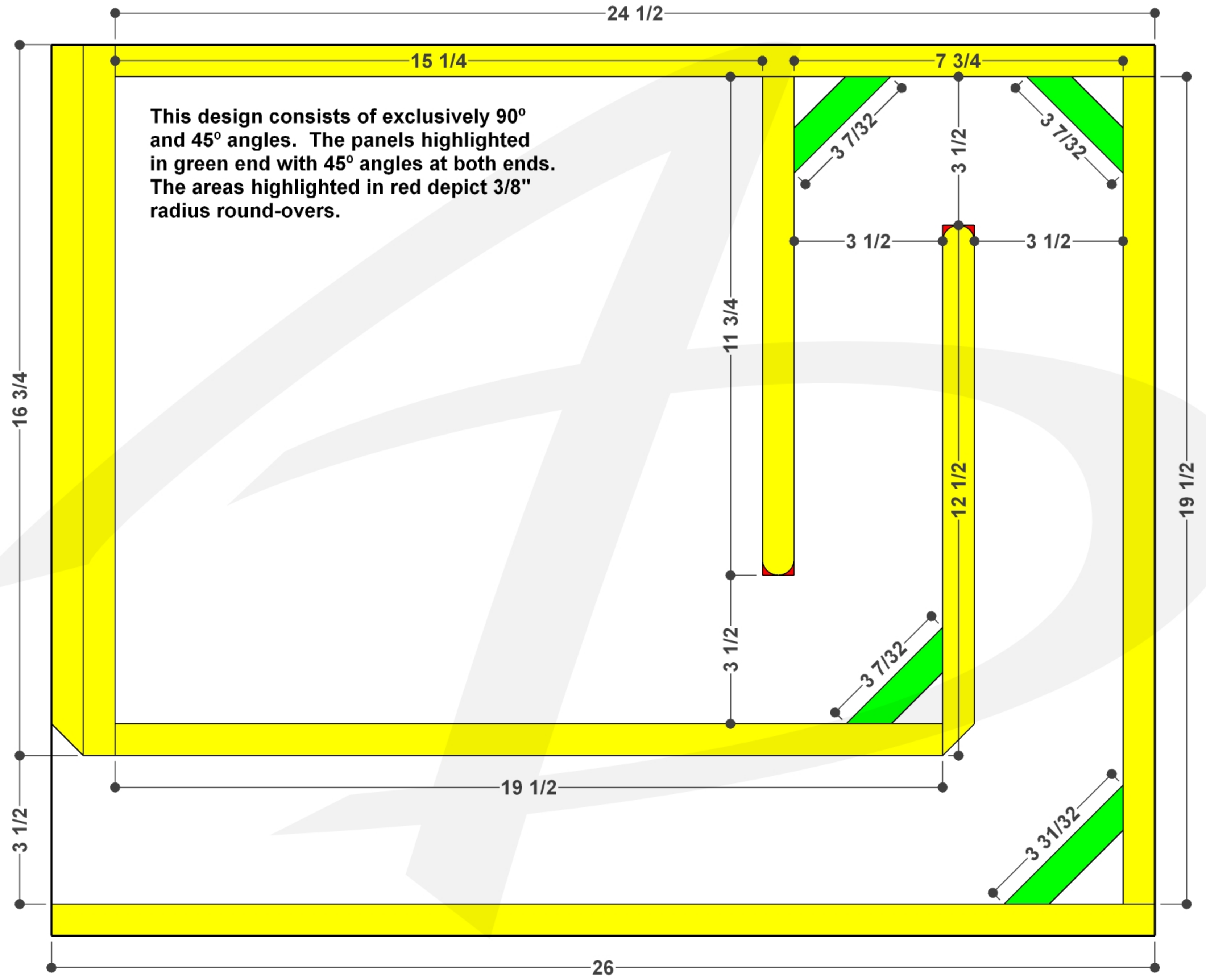
Amplifier Information	
Continuous Power Handling	4,000 W
Subsonic Filter Setting	24 Hz
Low Pass Filter Setting	60 Hz

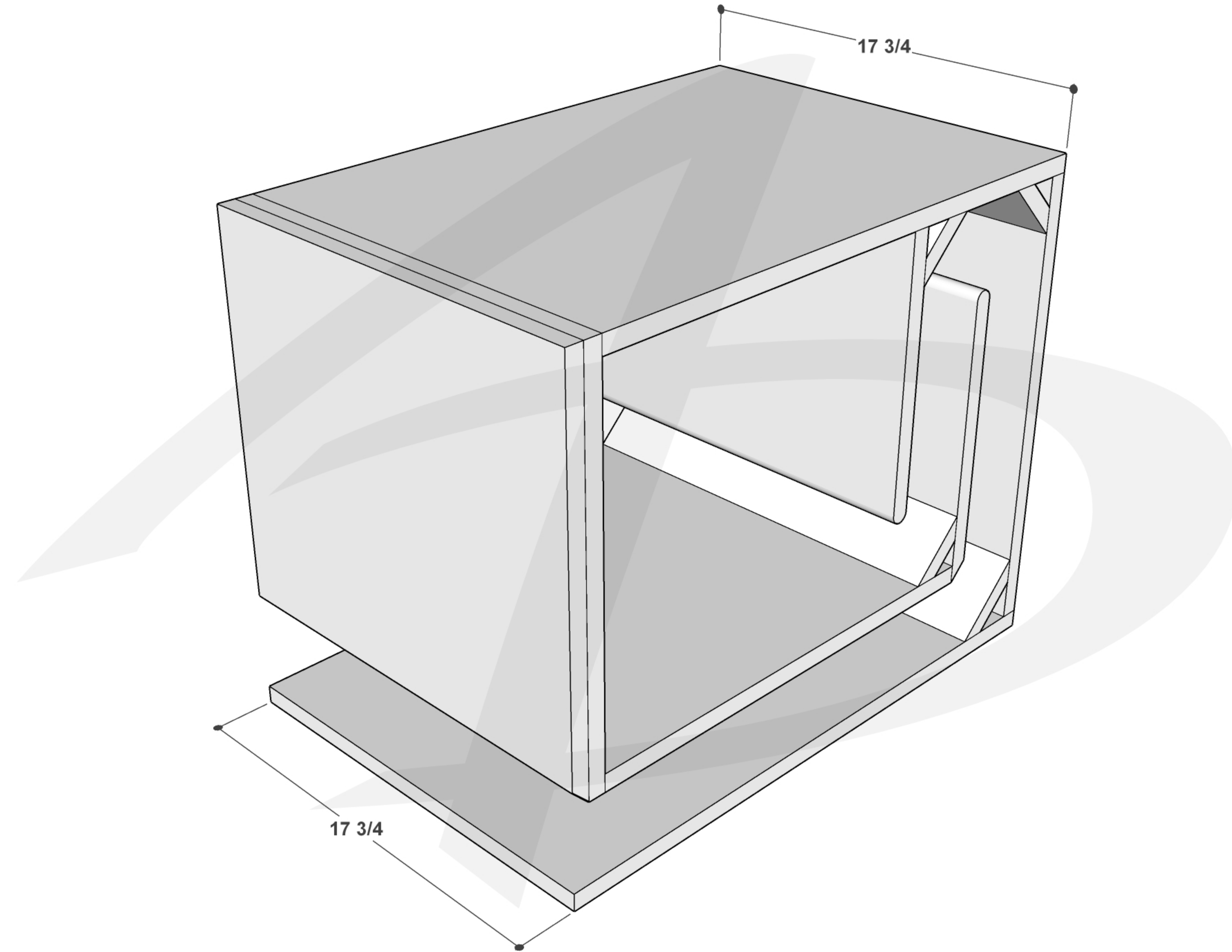
Subwoofer Information	
Make	Audio Dynamics
Model	AD6015 D1
Quantity	2

Performance Information	
SQ	<input checked="" type="checkbox"/> Within the Vehicle
<input checked="" type="checkbox"/> SQL	Outside the Vehicle
SPL	Metering Position

Metering Information		
Headrest	Peak Frequency	Hz
Dash / Windshield		
Foot Well		

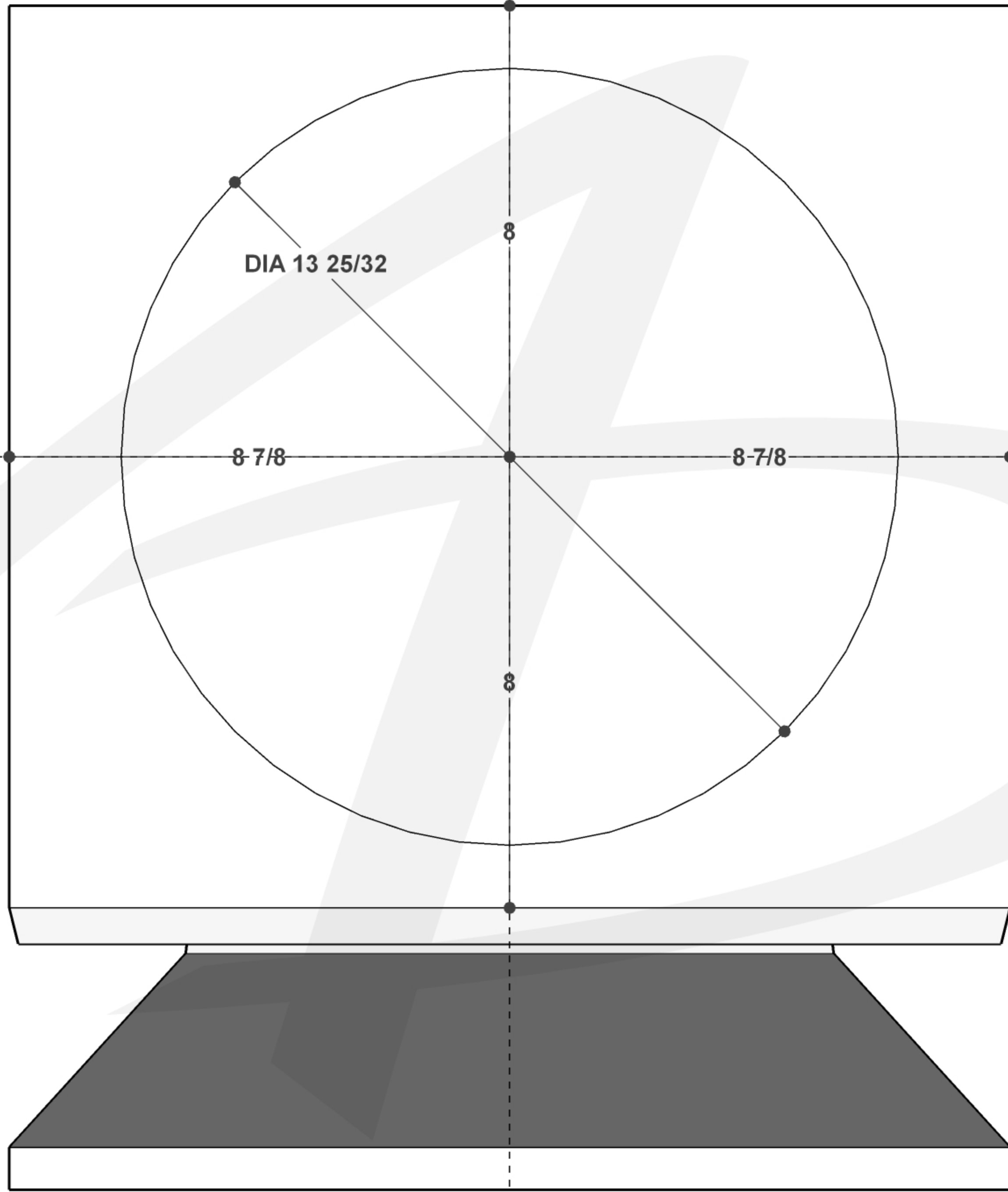


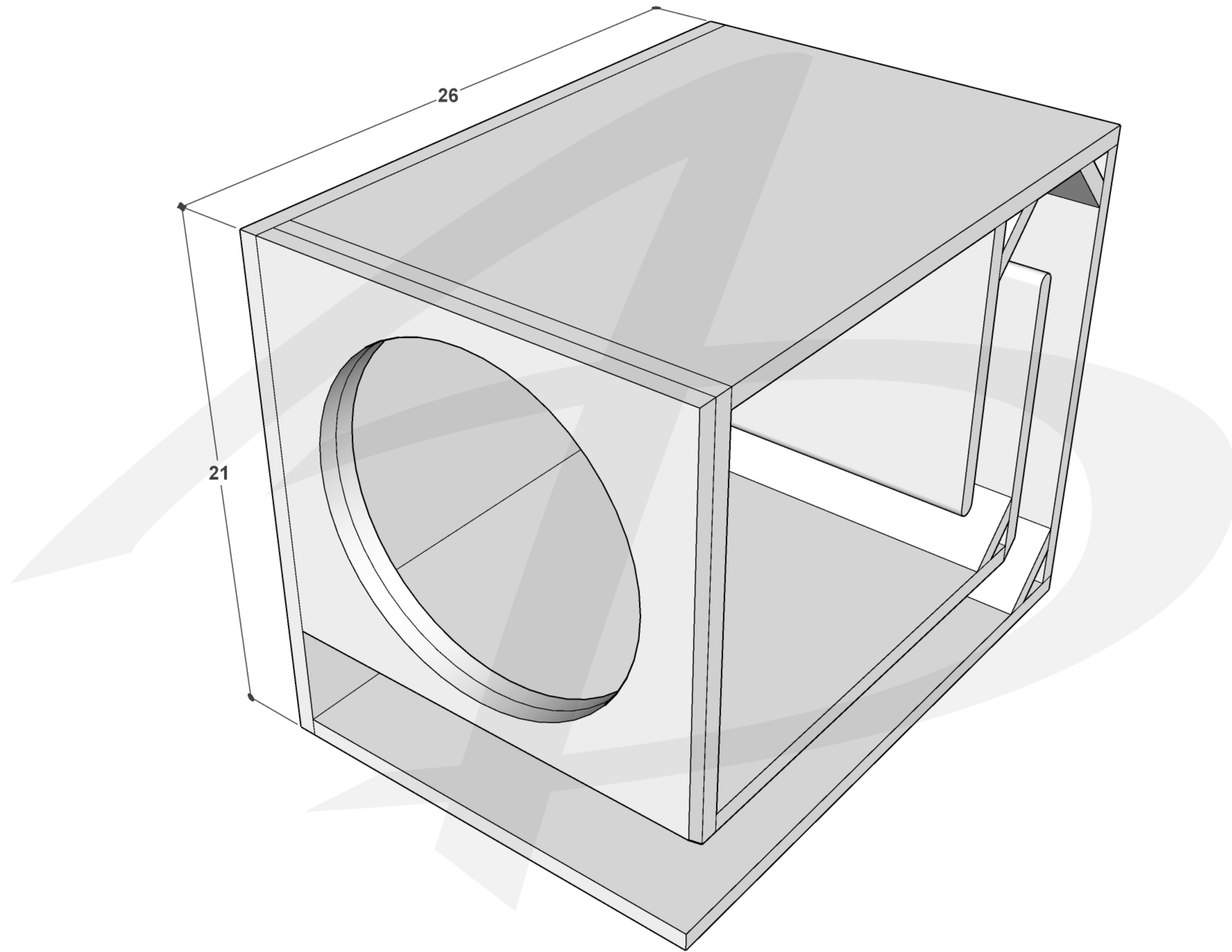


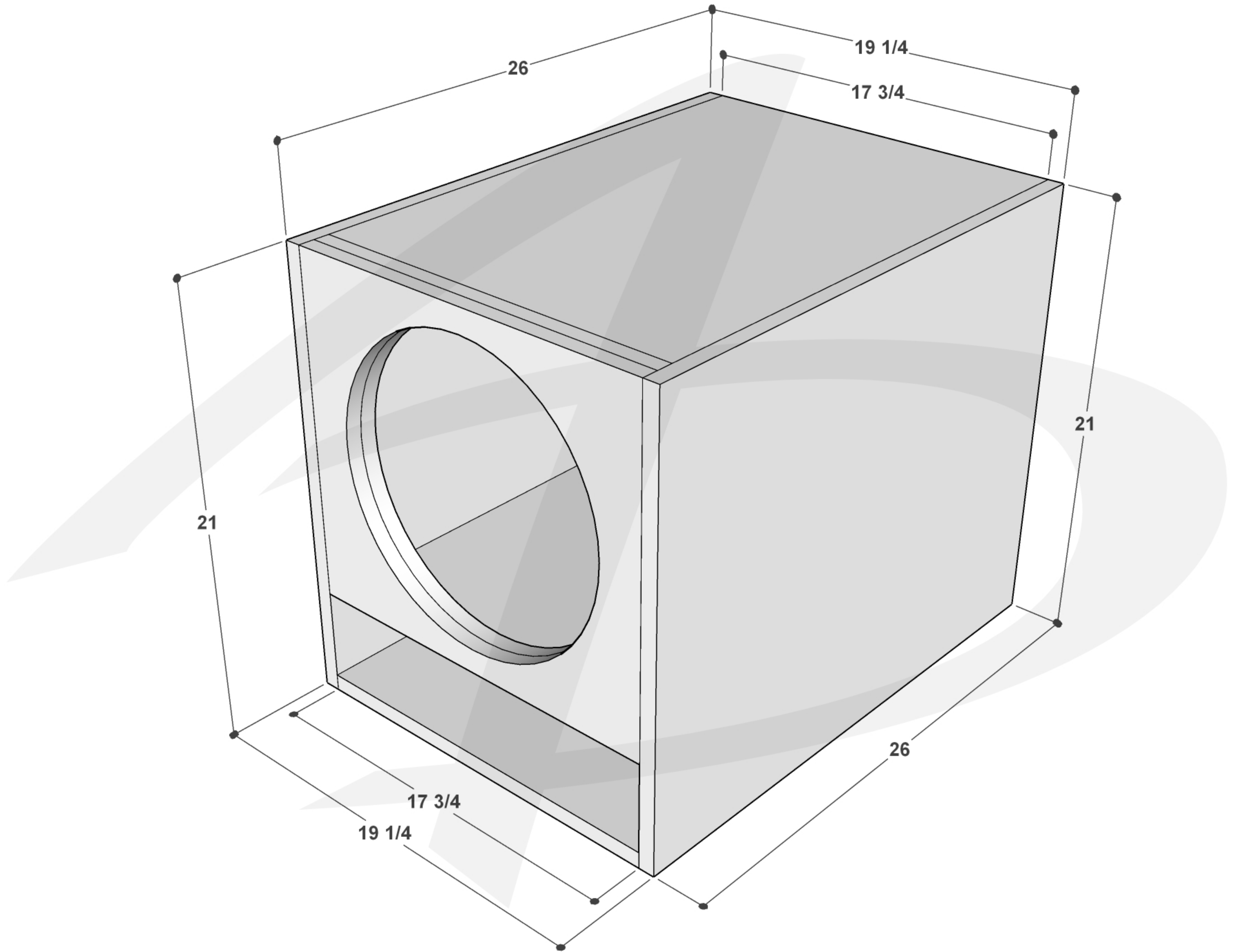


$17 \frac{3}{4}$

$17 \frac{3}{4}$







26

19 1/4

17 3/4

21

21

26

17 3/4

19 1/4

