



**AUDIO DYNAMICS**

Vehicle Information	
Year	2005
Make	Honda
Model	Element

Enclosure Information	
Design Type	4 <sup>th</sup> Order Bandpass
Placement	Cargo area
Orientation	Position the enclosure with the vent directed rearward.

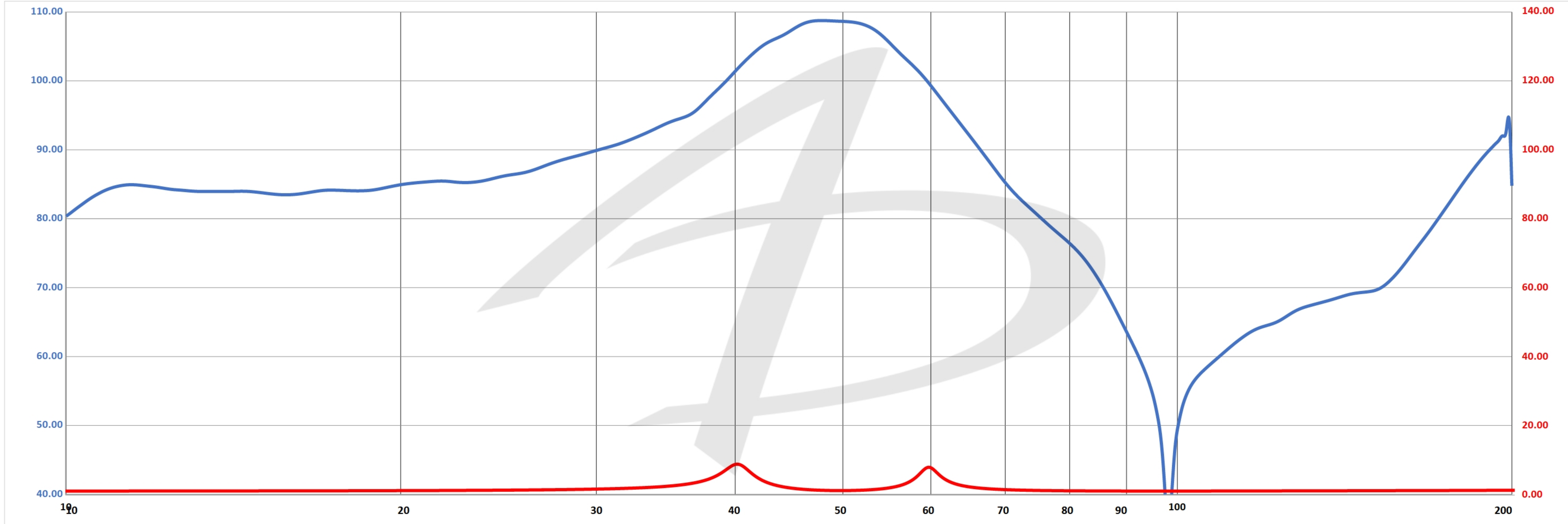
Special Notes
Mount the subs with the motors protruding into the common chamber.

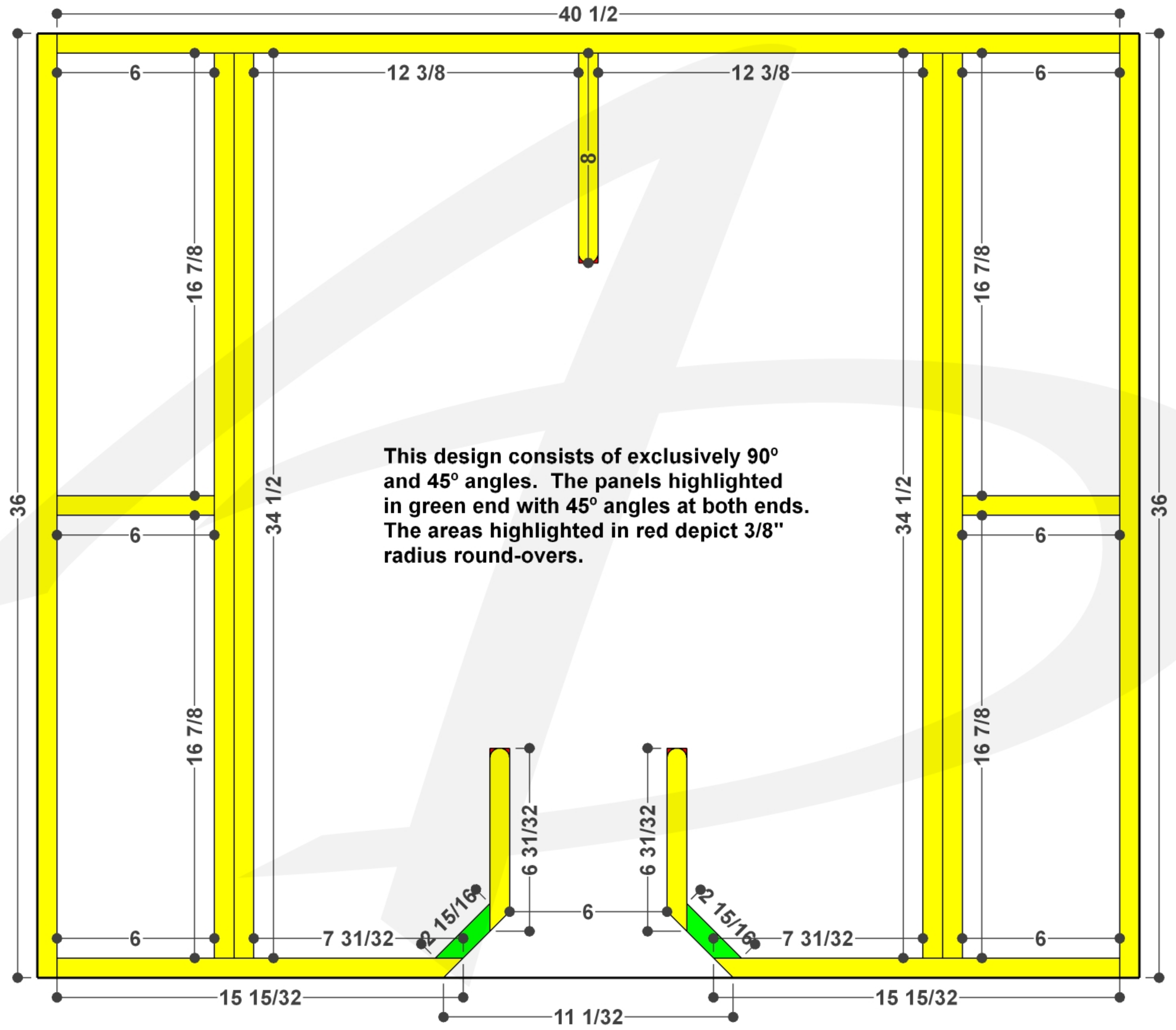
Amplifier Information	
Continuous Power Handling	6,000 W
Subsonic Filter Setting	N/A Hz
Low Pass Filter Setting	N/A Hz

Subwoofer Information	
Make	Audio Dynamics
Model	AD5015 D2
Quantity	4

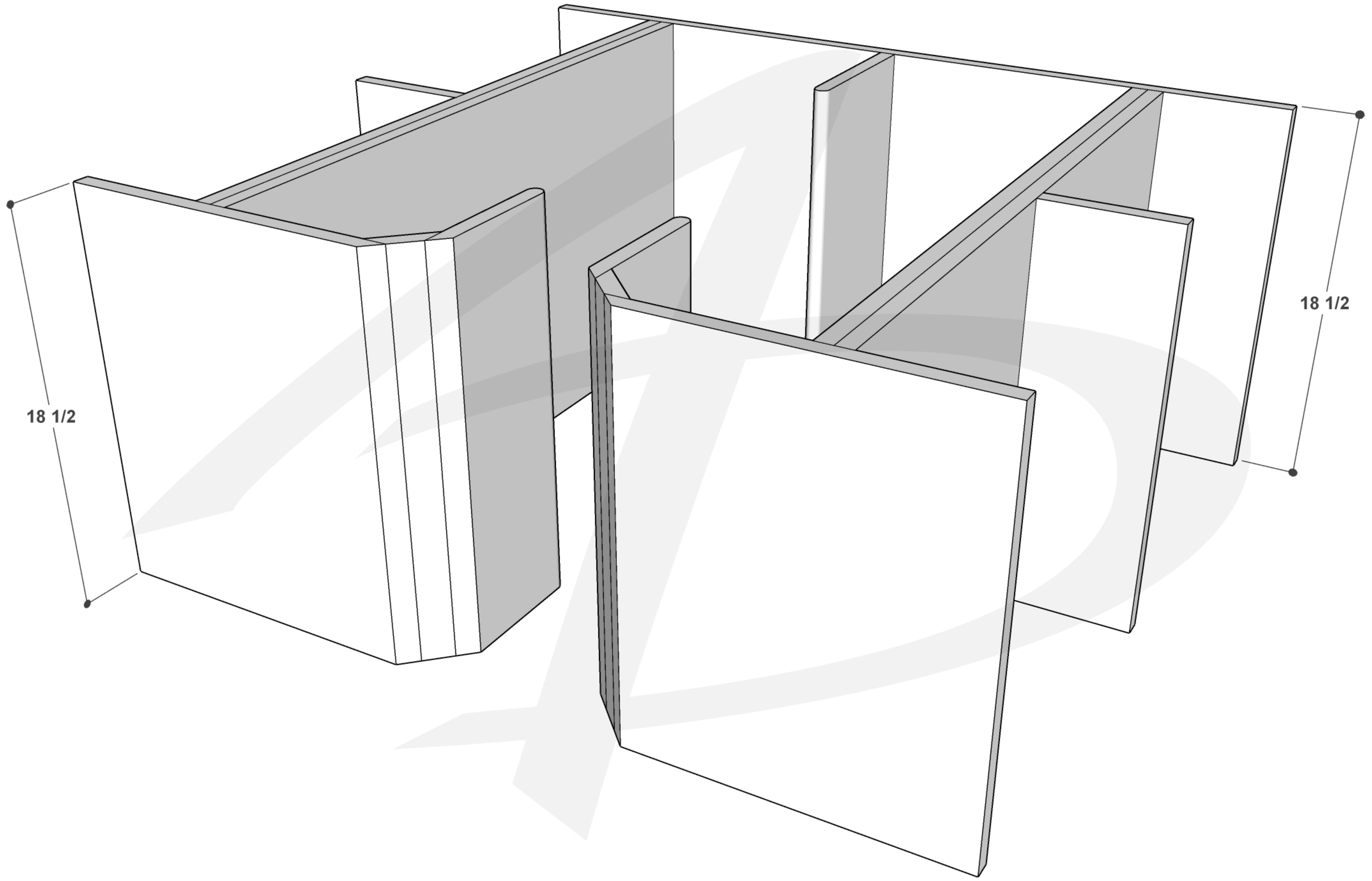
Performance Information	
SQ	Within the Vehicle
SQL	Outside the Vehicle
✓ SPL	✓ Metering Position

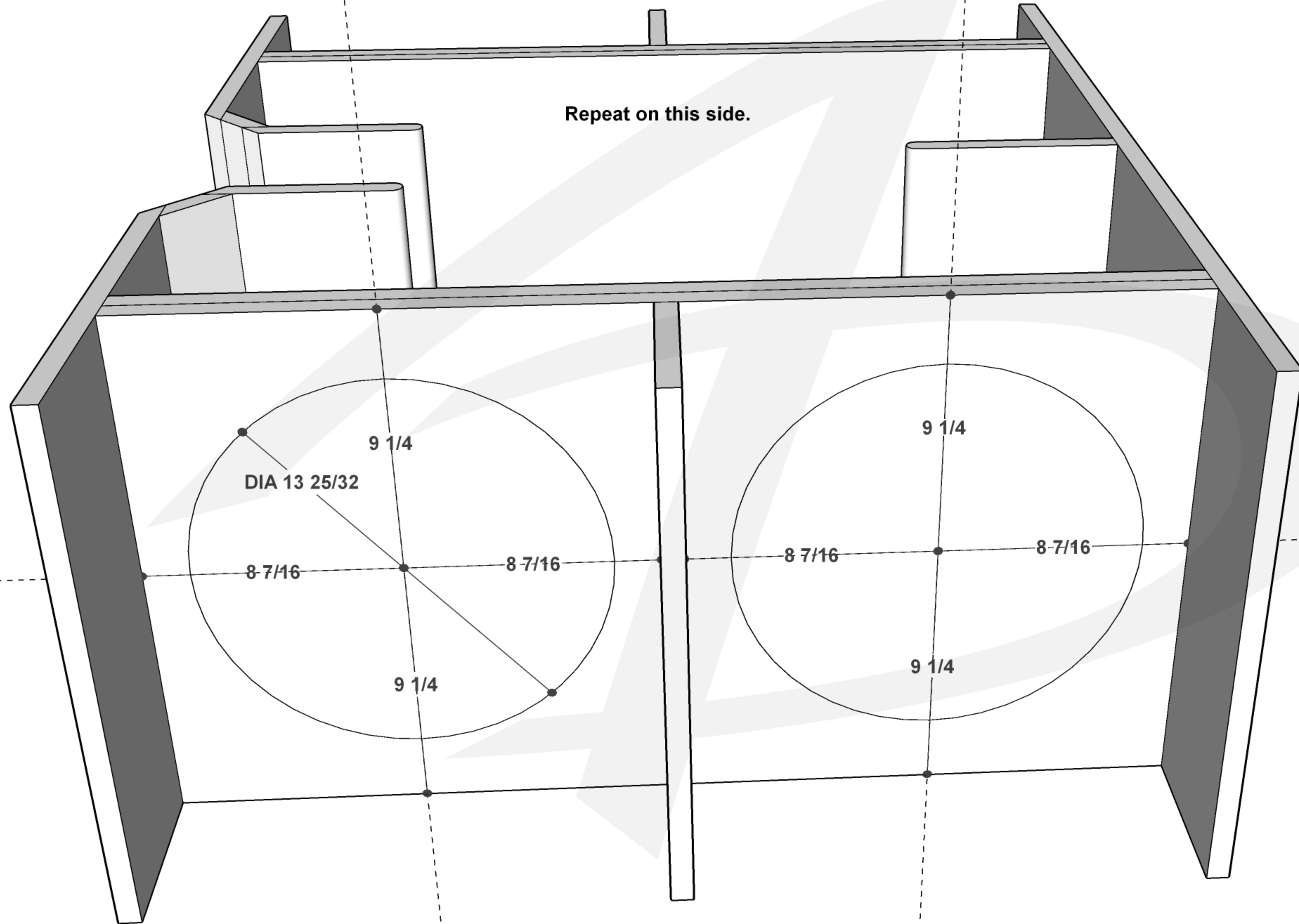
Metering Information	
✓ Headrest	Peak Frequency 50.6 Hz
Dash / Windshield	
Foot Well	





This design consists of exclusively 90° and 45° angles. The panels highlighted in green end with 45° angles at both ends. The areas highlighted in red depict 3/8" radius round-overs.





Repeat on this side.

DIA 13 25/32

9 1/4

8 7/16

8 7/16

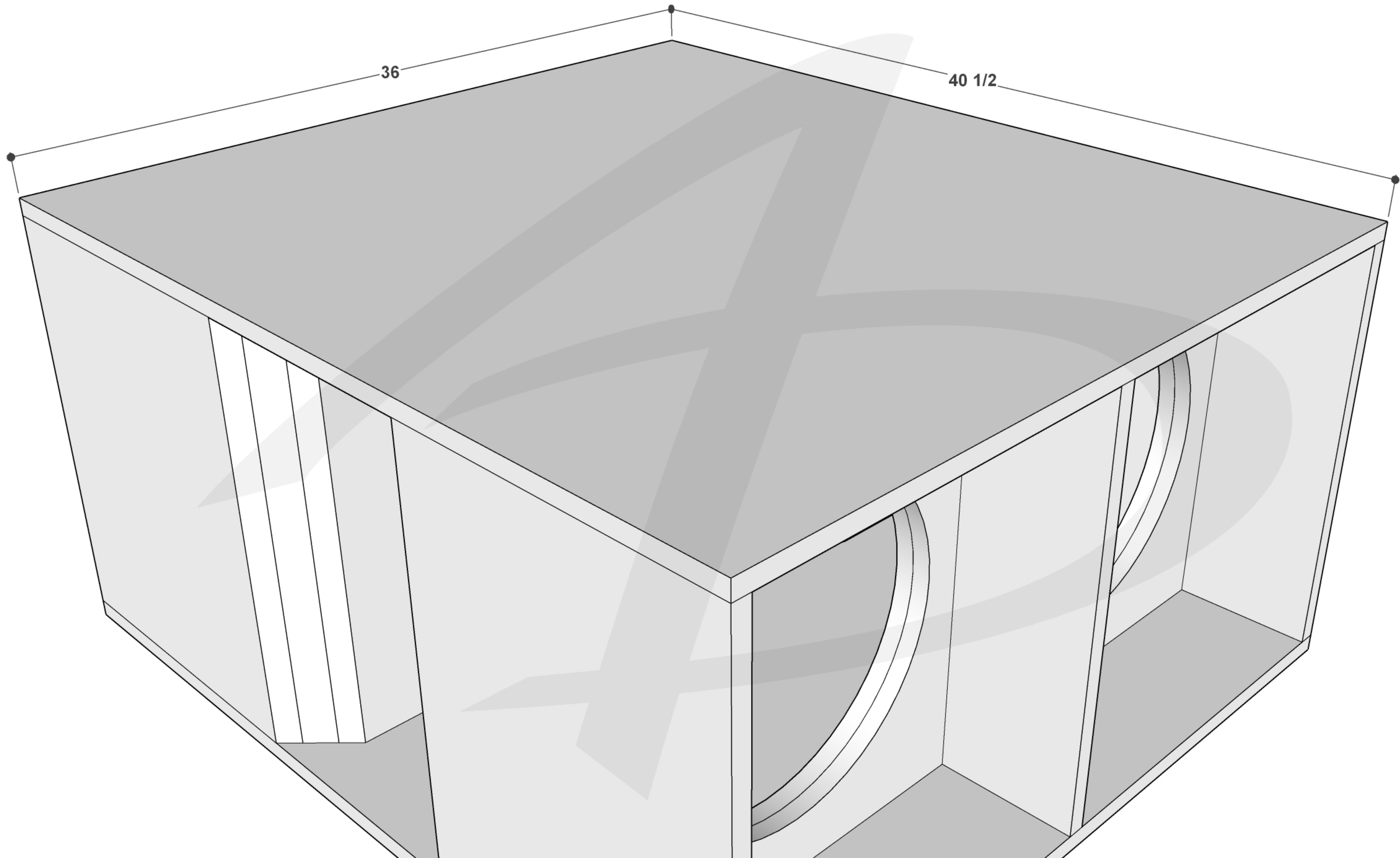
9 1/4

9 1/4

8 7/16

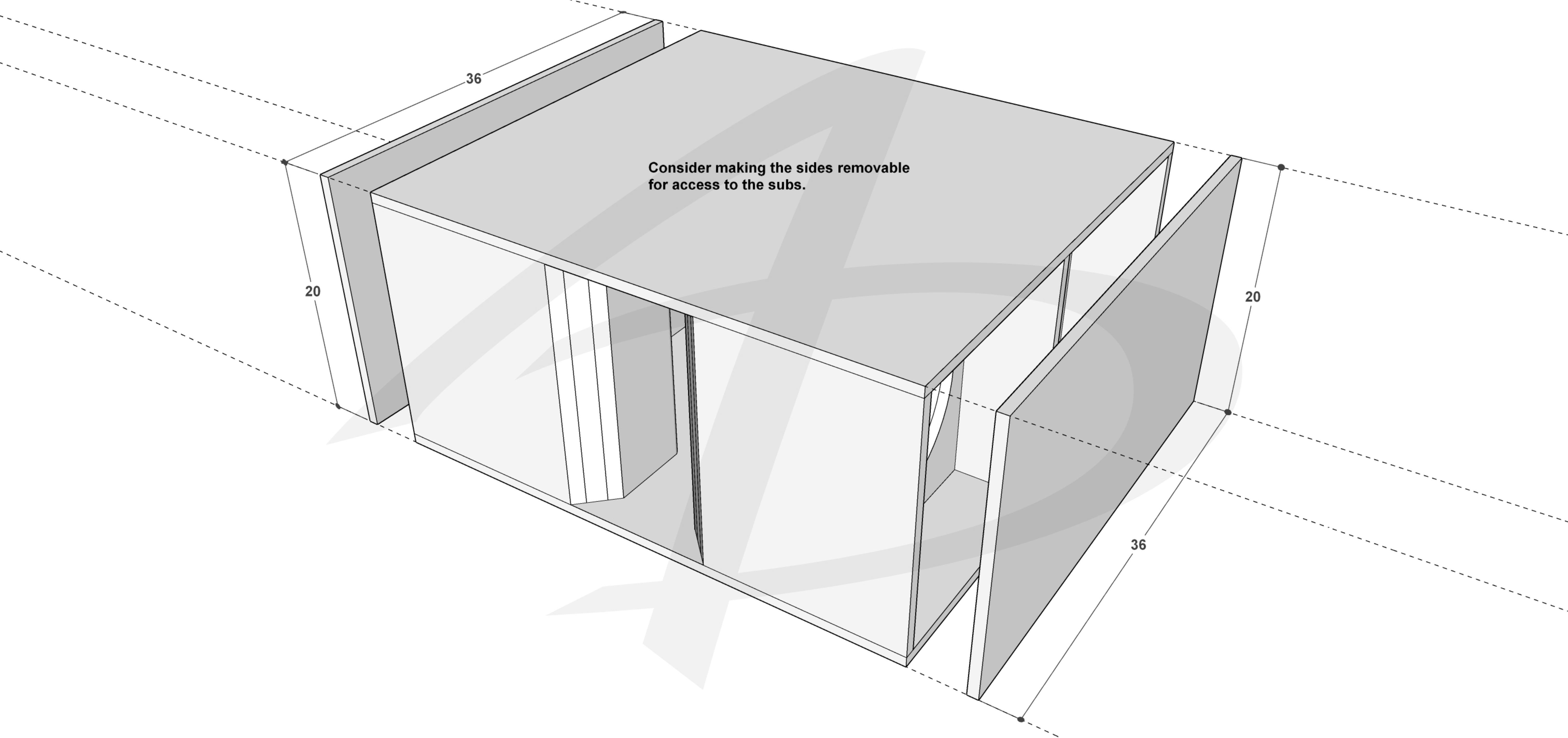
8 7/16

9 1/4



36

40 1/2



36

Consider making the sides removable  
for access to the subs.

20

20

36

