

Vehicle Information	
Year	1992
Make	Chevy
Model	Suburban

Enclosure Information	
Design Type	4 th Order Bandpass
Placement	Cargo area
Orientation	Position the enclosure with the vent directed rearward along the driver side.



AUDIO DYNAMICS

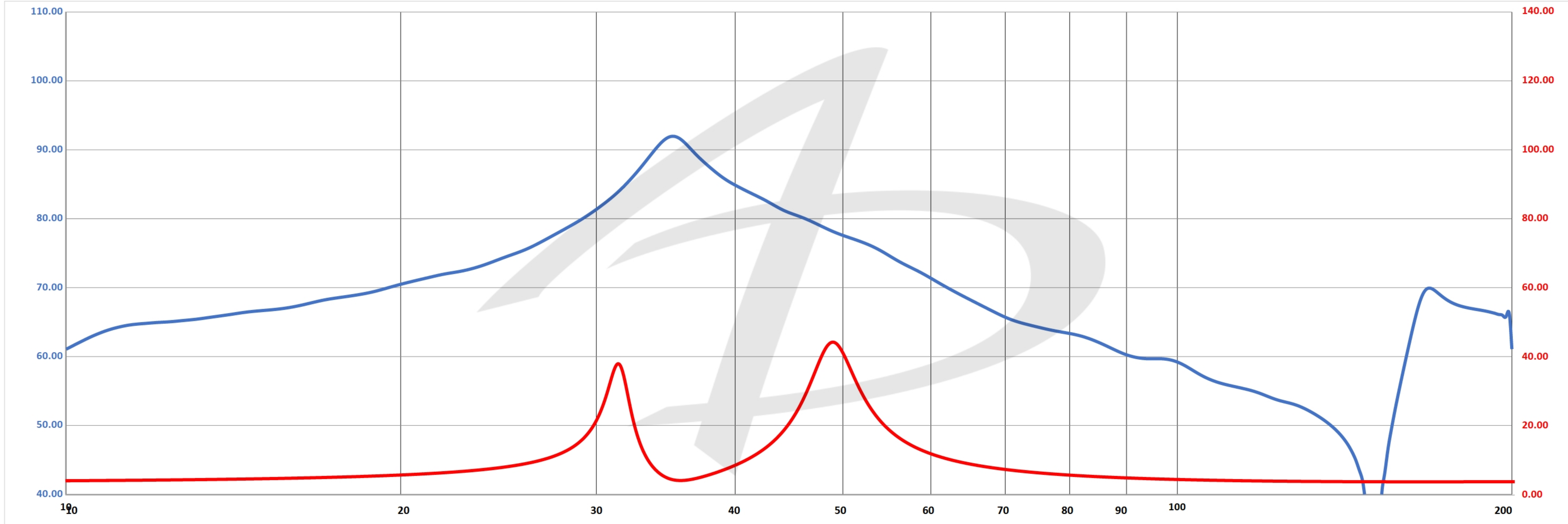
Special Notes
Mount the subs with the motors protruding into the two sealed chambers.

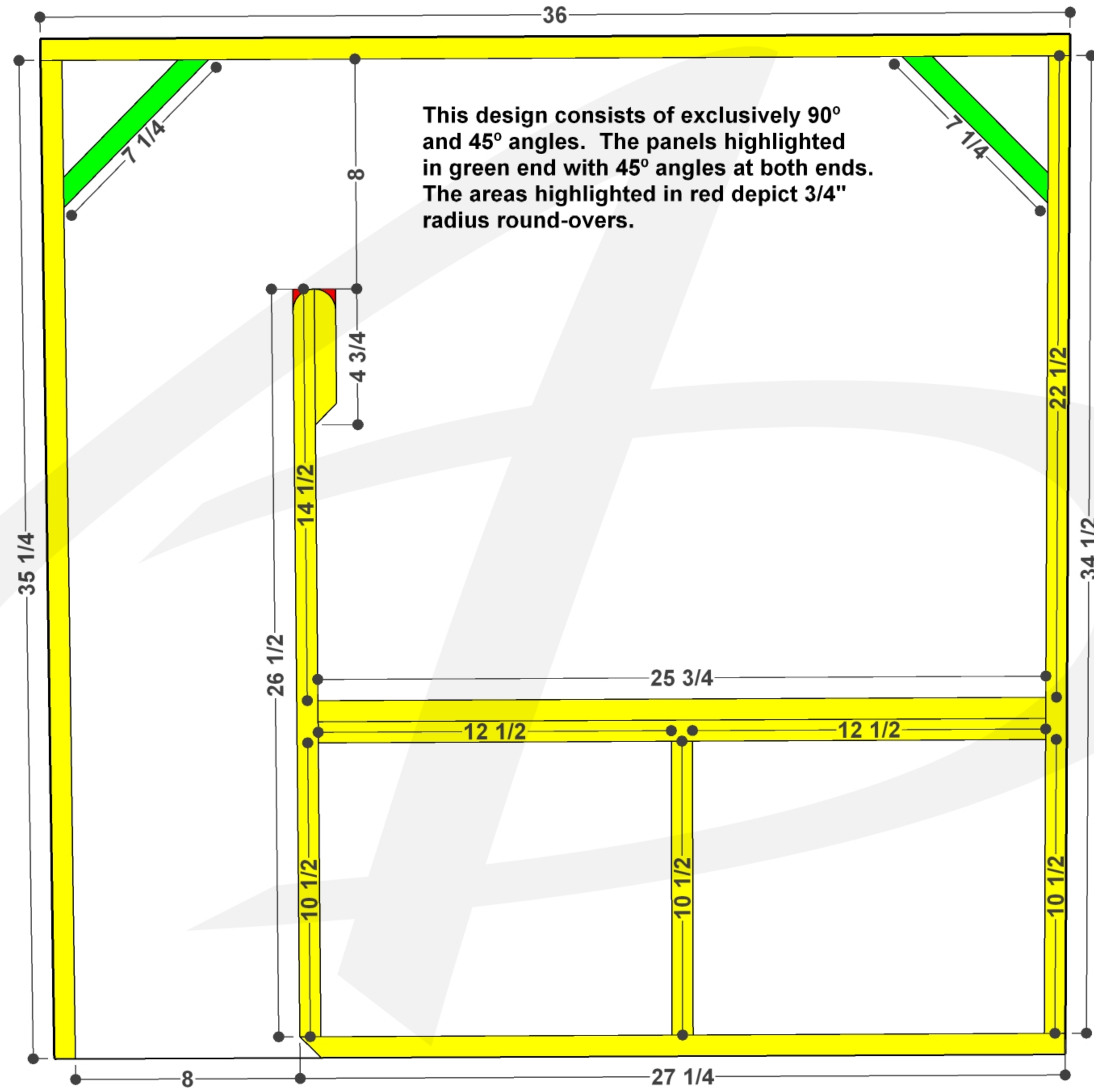
Amplifier Information	
Continuous Power Handling	3,000 W
Subsonic Filter Setting	N/A Hz
Low Pass Filter Setting	N/A Hz

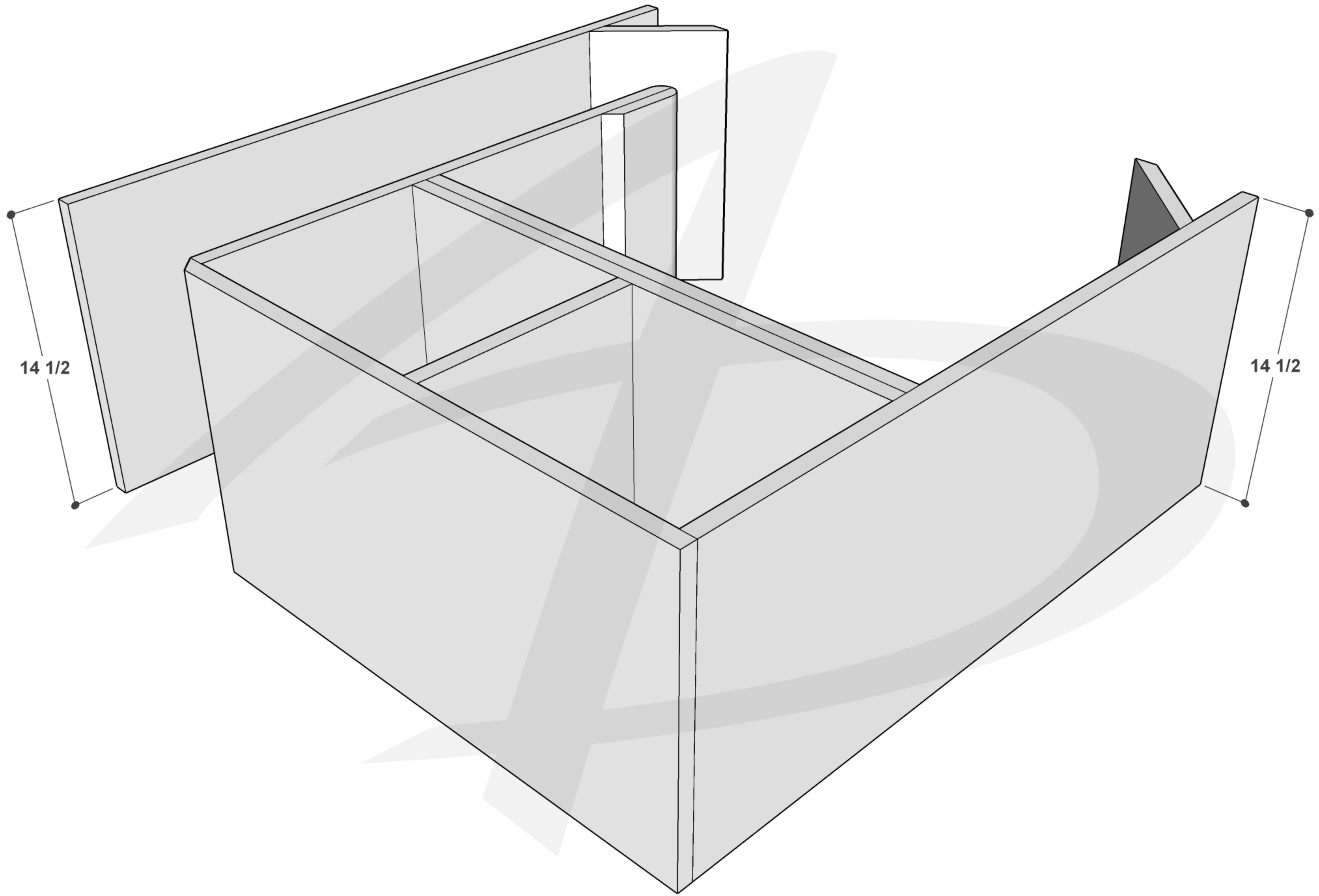
Subwoofer Information	
Make	Audio Dynamics
Model	AD4212 D4
Quantity	2

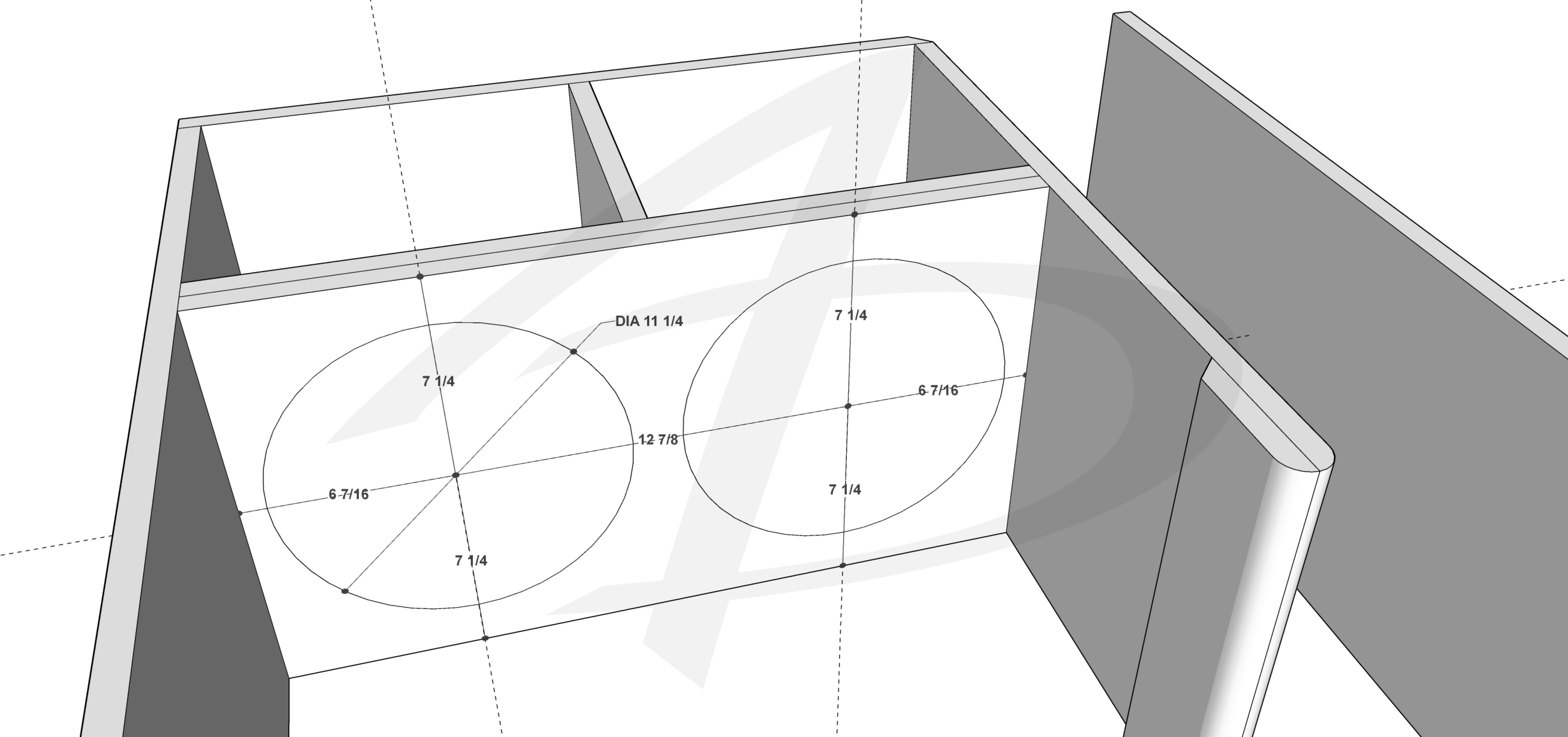
Performance Information	
SQ	Within the Vehicle
SQL	Outside the Vehicle
✓ SPL	✓ Metering Position

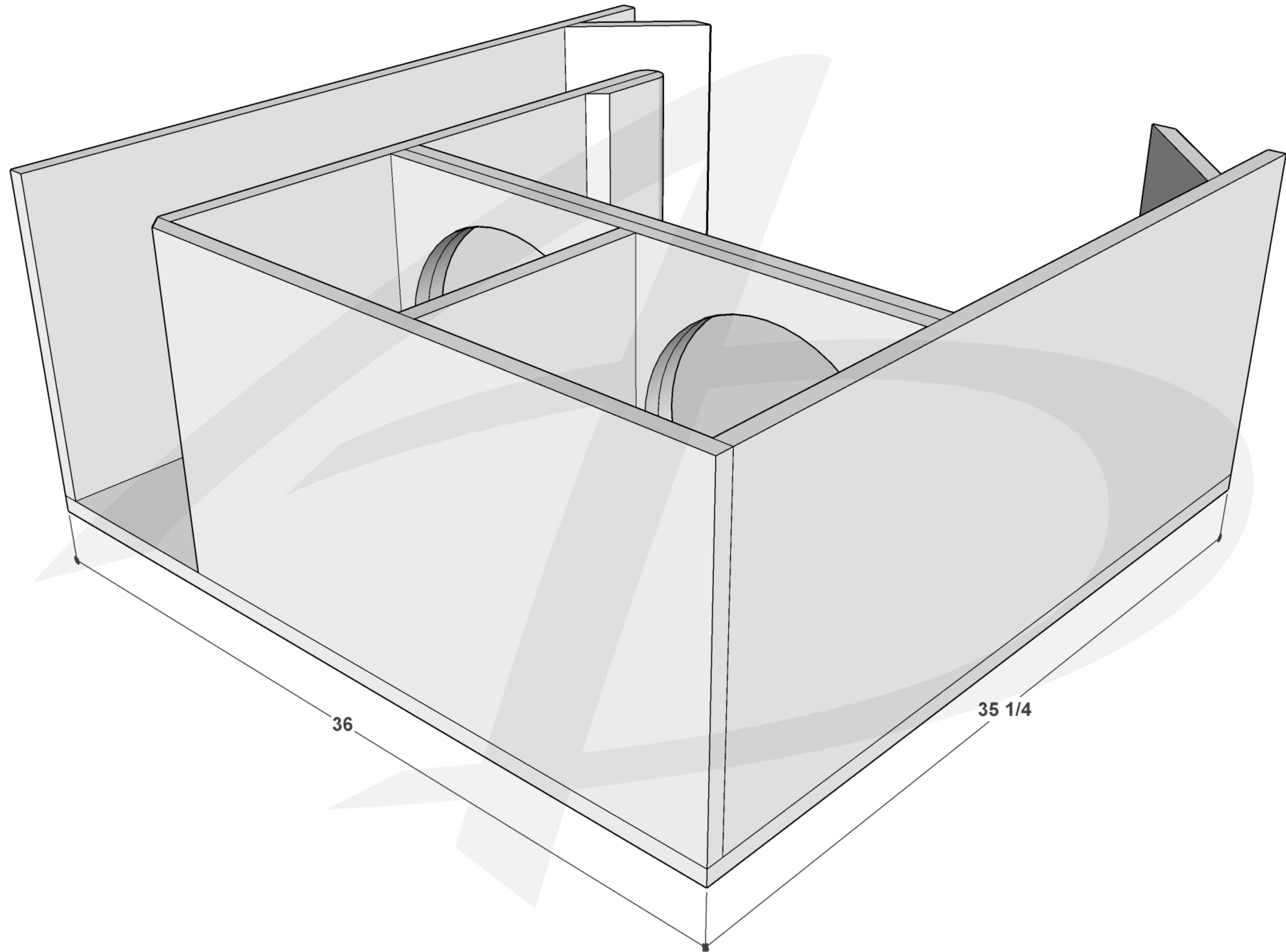
Metering Information			
✓ Headrest		Peak Frequency	35.2 Hz
Dash / Windshield			
Foot Well			





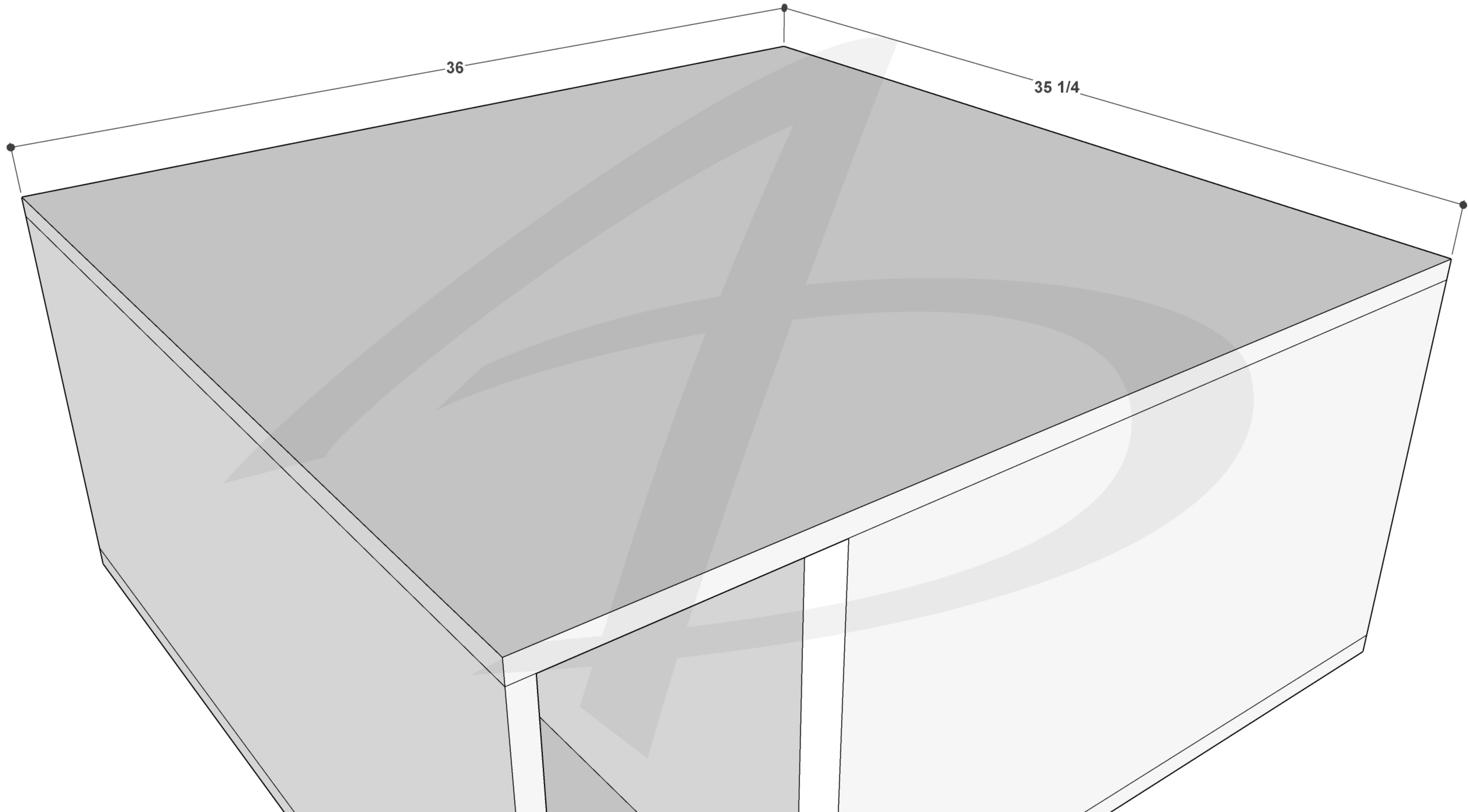


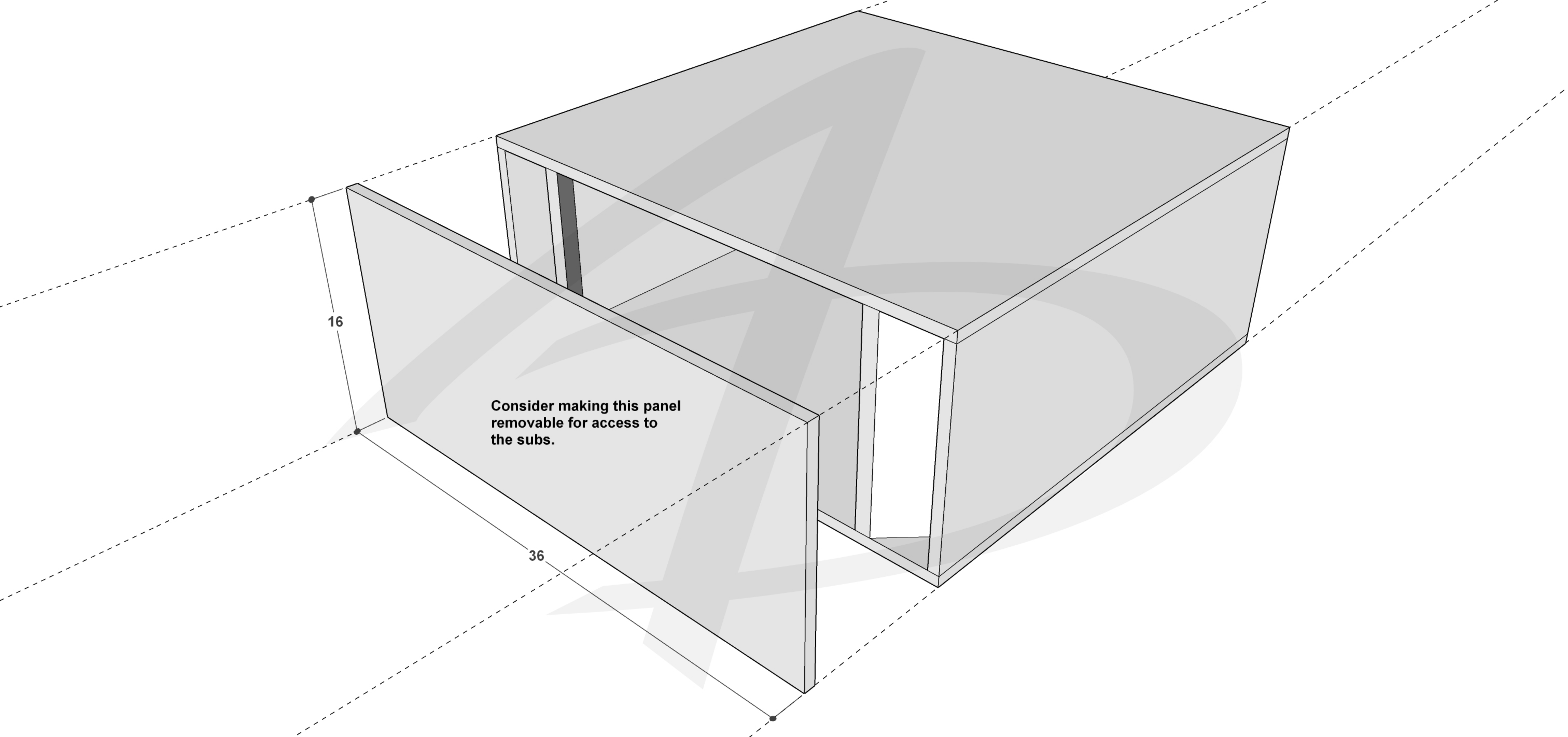




36

35 1/4





16

36

**Consider making this panel
removable for access to
the subs.**

