

Vehicle Information	
Year	1962
Make	Chevy
Model	Impala

Enclosure Information	
Design Type	Bass-Reflex
Placement	Trunk
Orientation	Position the enclosure with the subs directed upward along the driver side, vent directed rearward along the passenger side.



AUDIO DYNAMICS

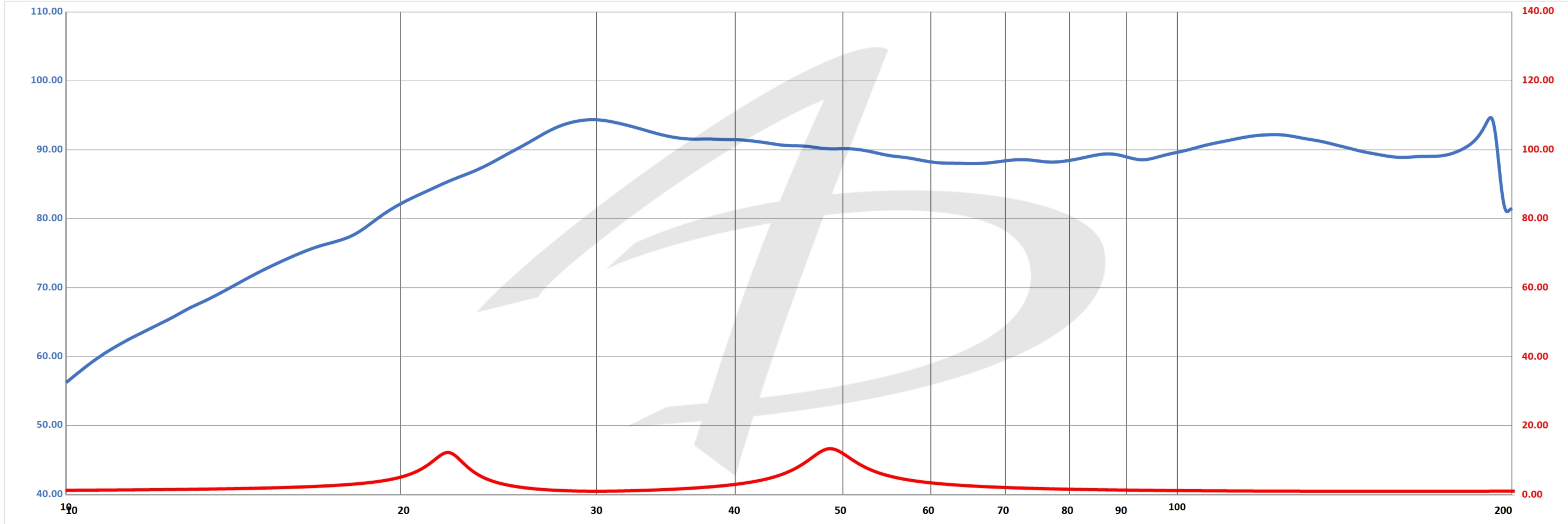
Special Notes

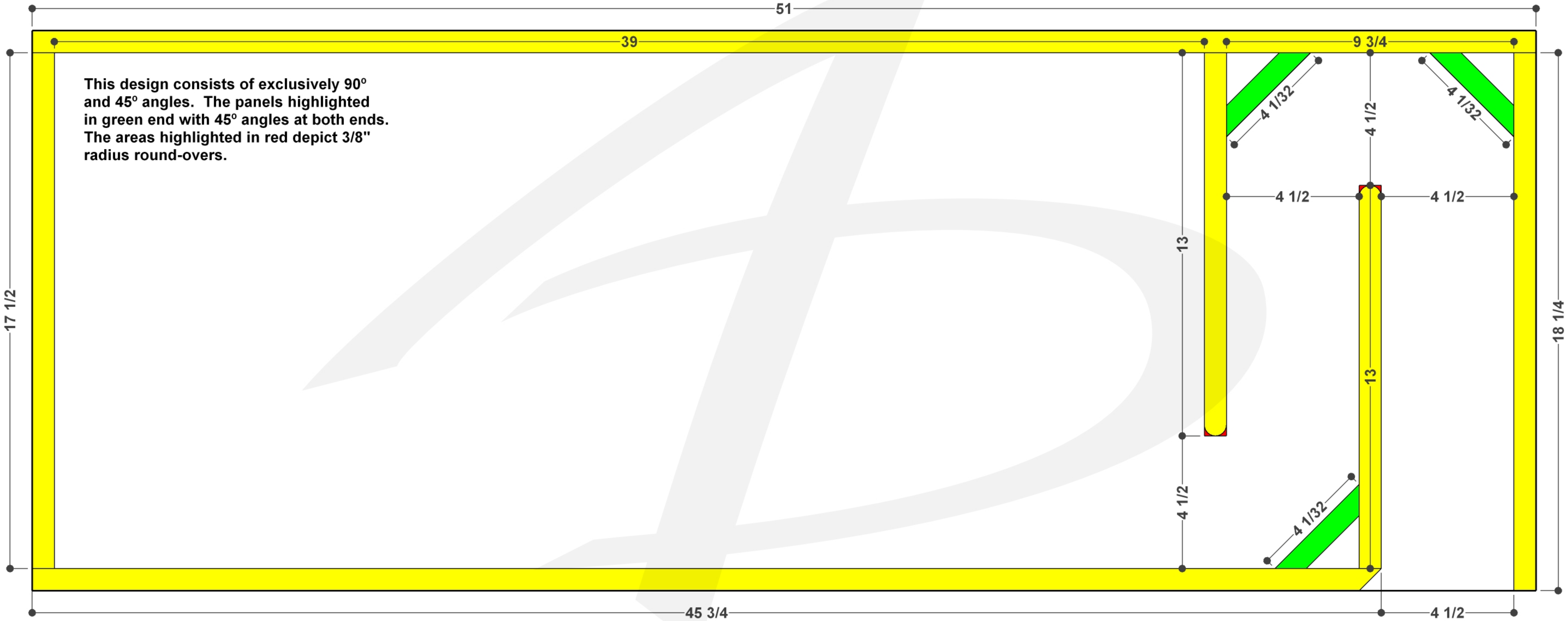
Amplifier Information	
Continuous Power Handling	6,000 W
Subsonic Filter Setting	28 Hz
Low Pass Filter Setting	55 Hz

Subwoofer Information	
Make	Audio Dynamics
Model	AD4210 D2
Quantity	4

Performance Information	
SQ	<input checked="" type="checkbox"/> Within the Vehicle
<input checked="" type="checkbox"/> SQL	Outside the Vehicle
SPL	Metering Position

Metering Information		
Headrest	Peak Frequency	Hz
Dash / Windshield		
Foot Well		





This design consists of exclusively 90° and 45° angles. The panels highlighted in green end with 45° angles at both ends. The areas highlighted in red depict 3/8" radius round-overs.

51

39

9 3/4

17 1/2

18 1/4

45 3/4

4 1/2

13

13

4 1/2

4 1/2

4 1/2

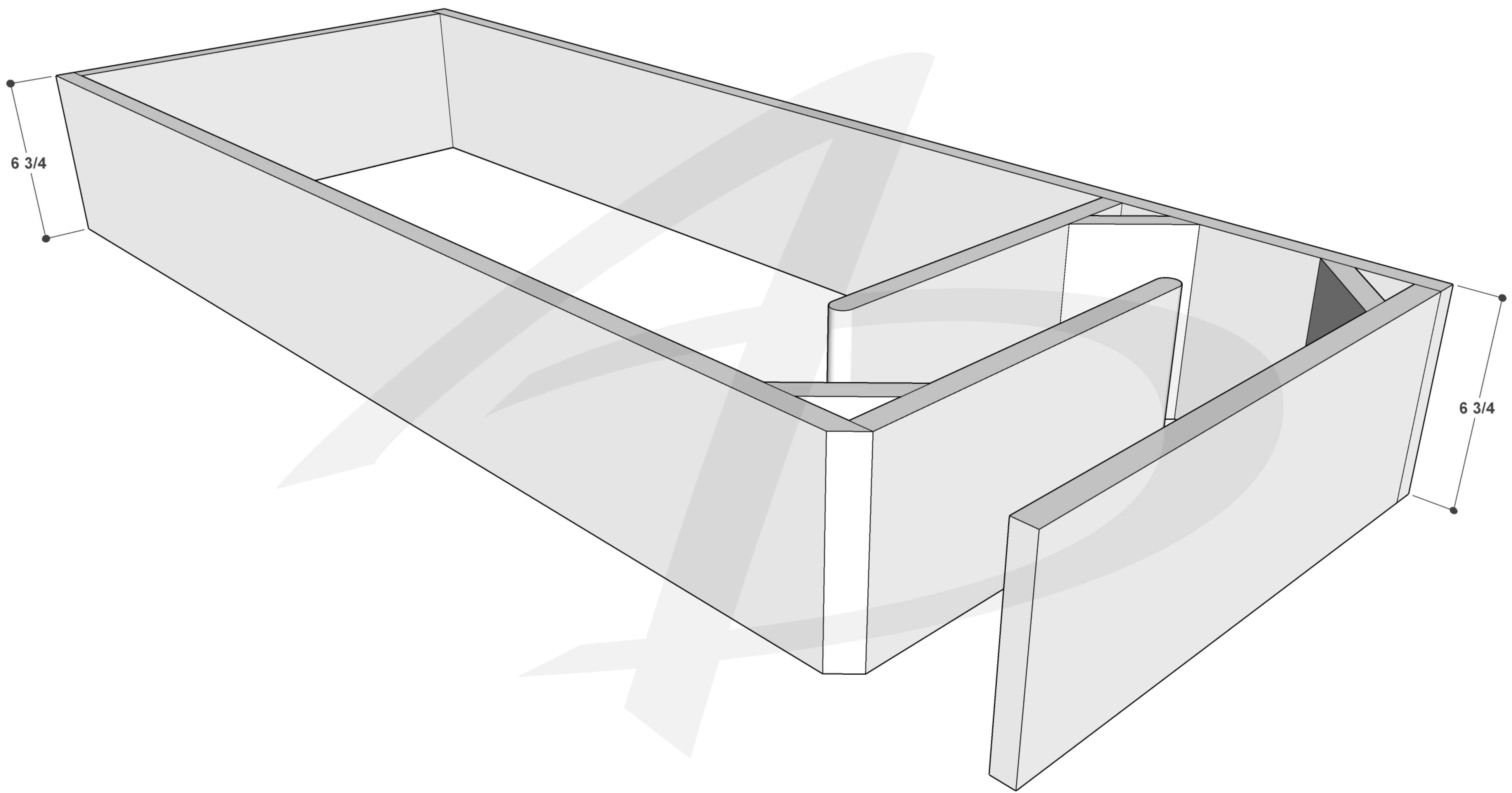
4 1/2

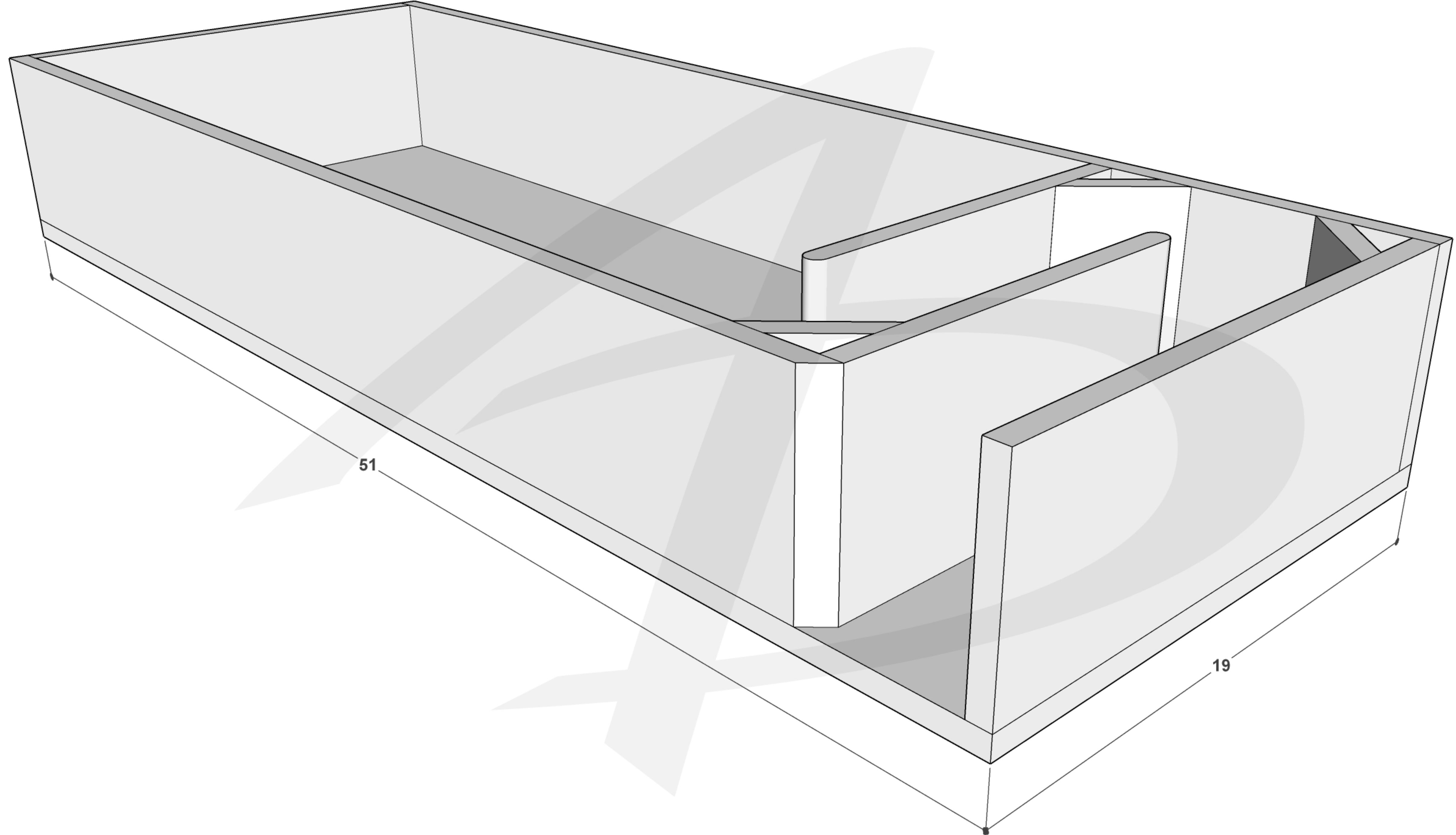
4 1/32

4 1/32

4 1/32

3/8





51

19

