



**AUDIO DYNAMICS**

Vehicle Information	
Year	2022
Make	Chevy
Model	Impala

Enclosure Information	
Design Type	Bass-Reflex
Placement	Trunk
Orientation	Position the enclosure with the sub directed up along the driver side, vent along the passenger side.

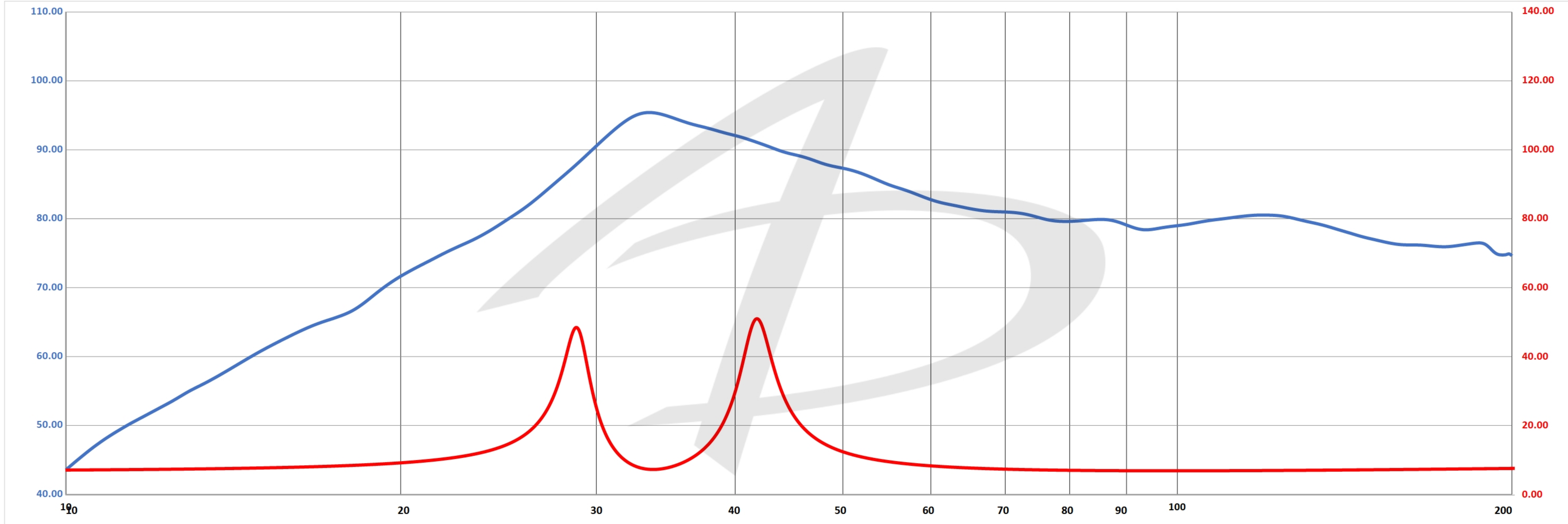
Special Notes

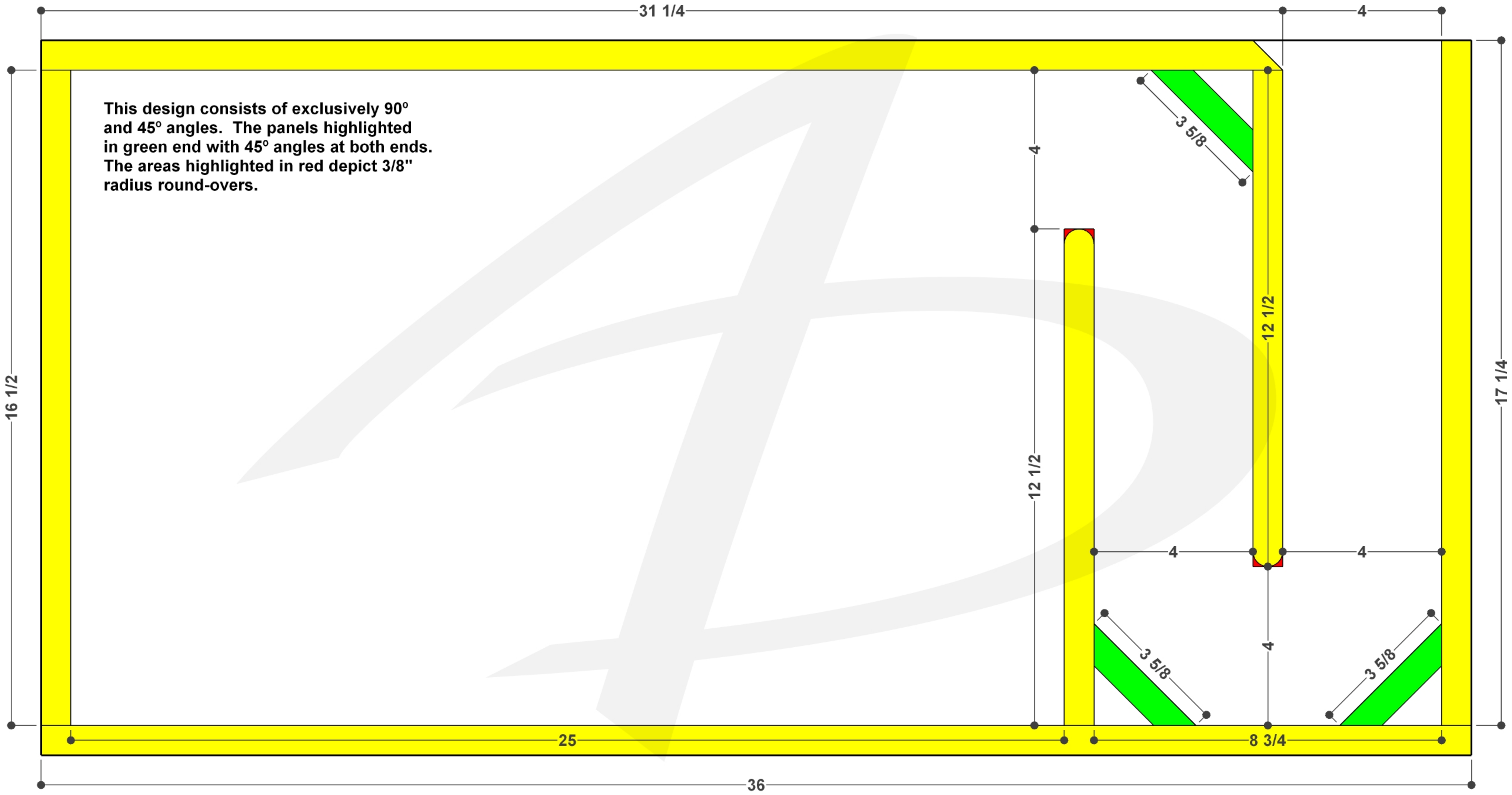
Amplifier Information	
Continuous Power Handling	1,500 W
Subsonic Filter Setting	30 Hz
Low Pass Filter Setting	50 Hz

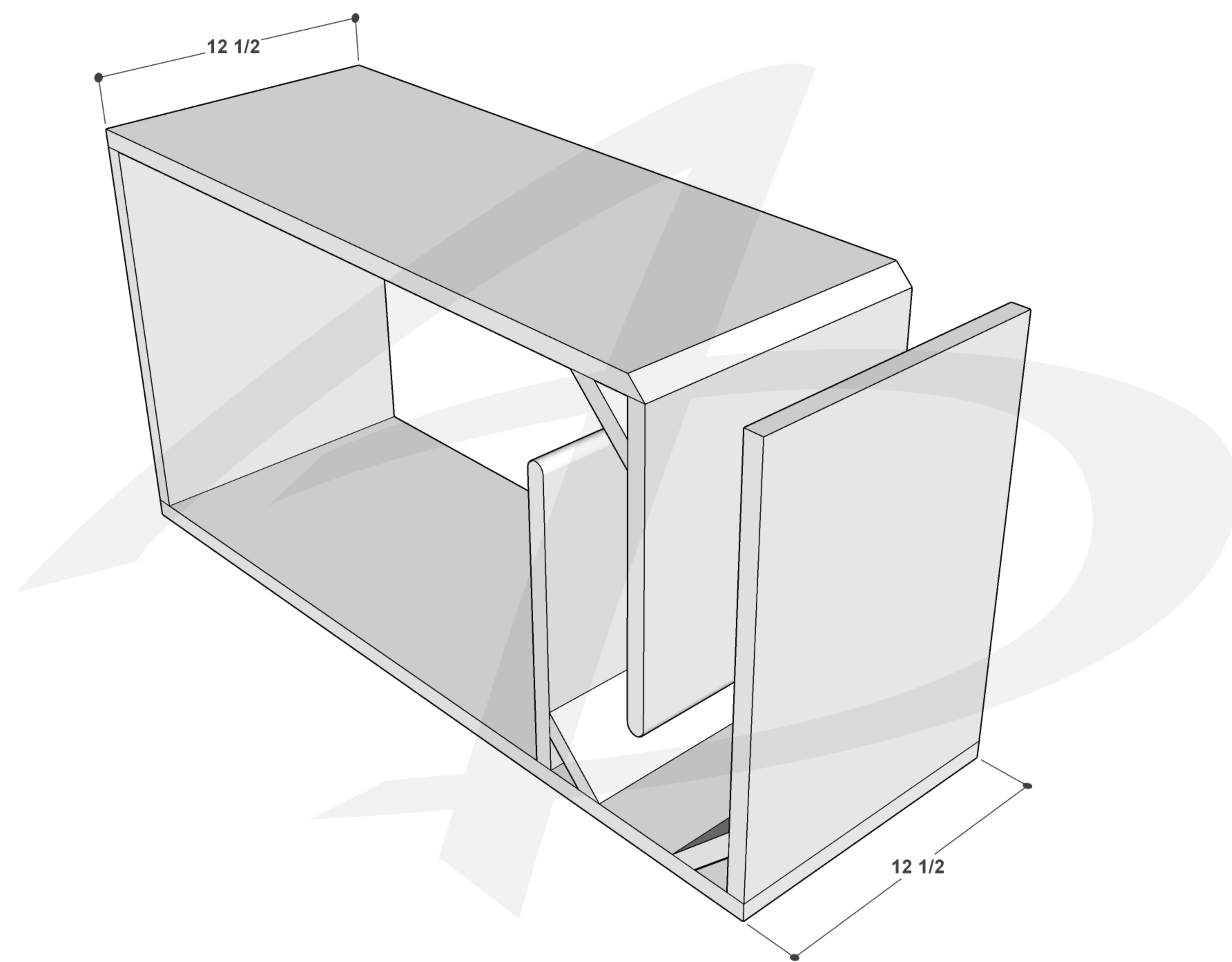
Subwoofer Information	
Make	Audio Dynamics
Model	AD5012 S1
Quantity	1

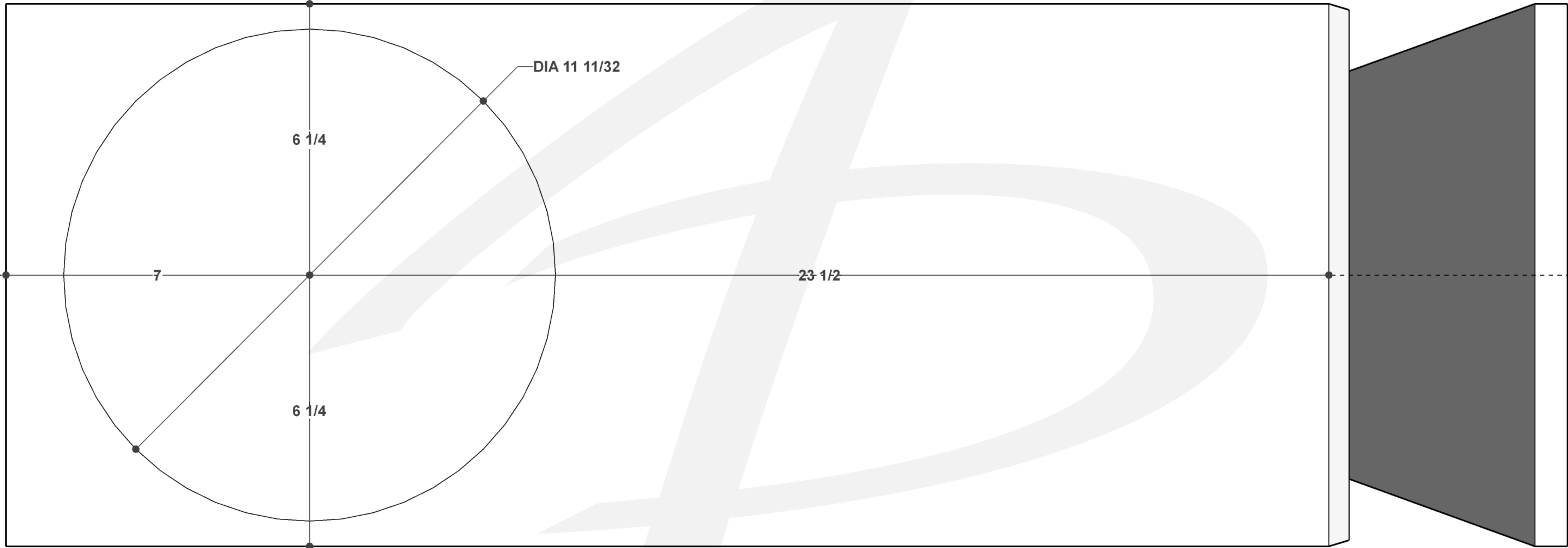
Performance Information	
SQ	<input checked="" type="checkbox"/> Within the Vehicle
<input checked="" type="checkbox"/> SQL	Outside the Vehicle
SPL	Metering Position

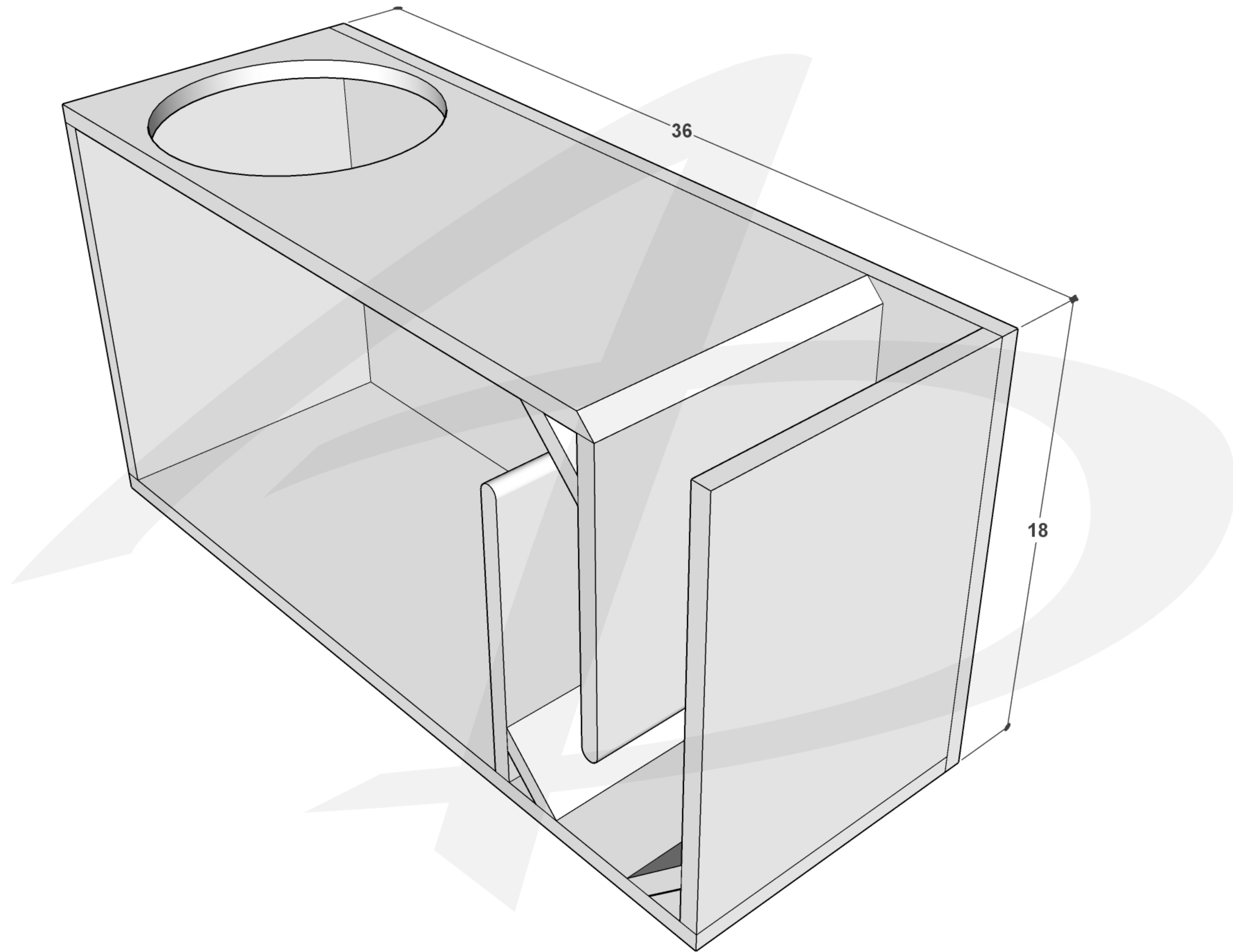
Metering Information		
Headrest	Peak Frequency	Hz
Dash / Windshield		
Foot Well		

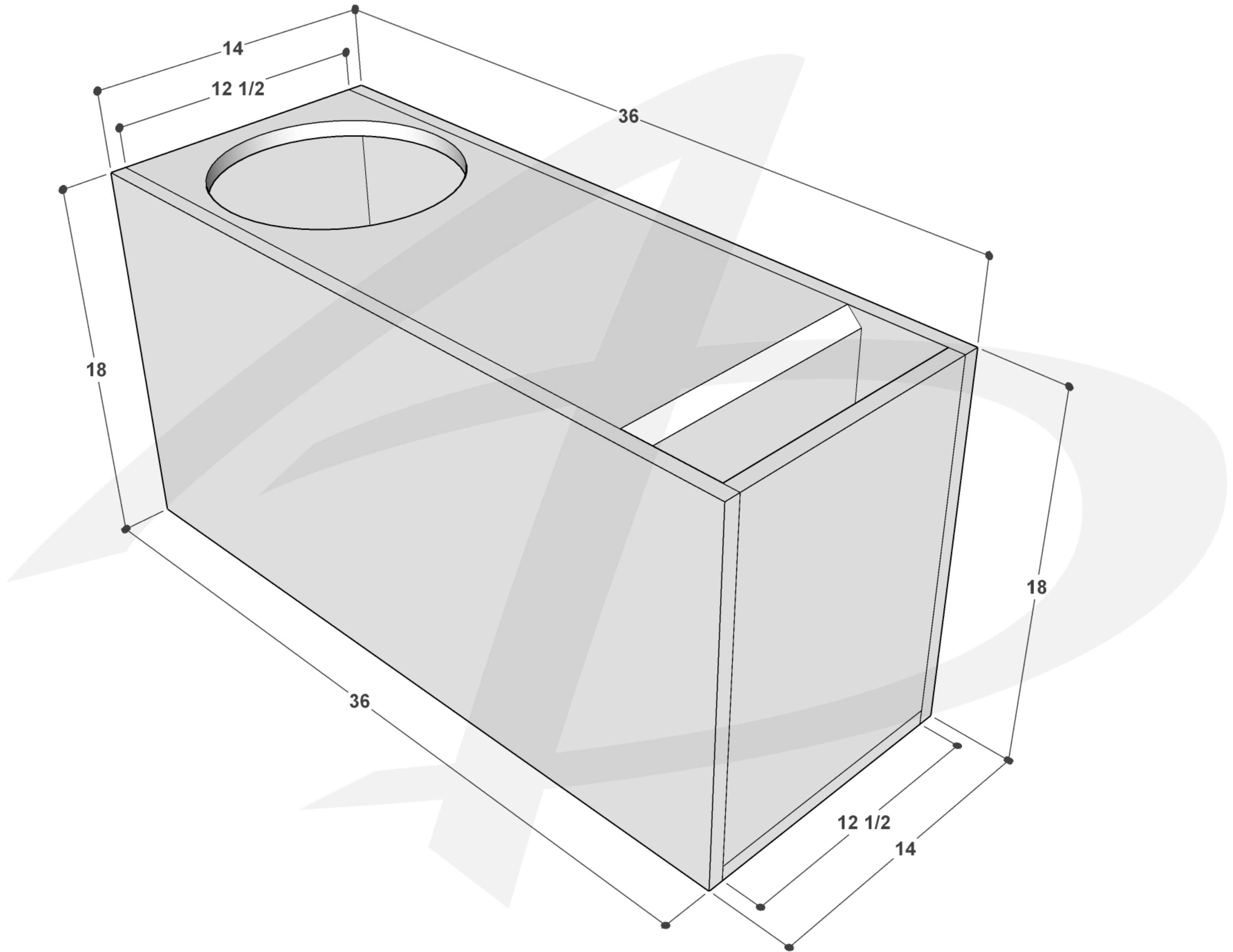












14

12 1/2

36

18

18

36

12 1/2

14

