



AUDIO DYNAMICS

Vehicle Information	
Year	2006
Make	Dodge
Model	RAM

Enclosure Information	
Design Type	6 th Order Parallel-Tuned Bandpass
Placement	In place of rear seats
Orientation	Position the enclosure with the vents directed forward. (Longer vents along the bottom.)

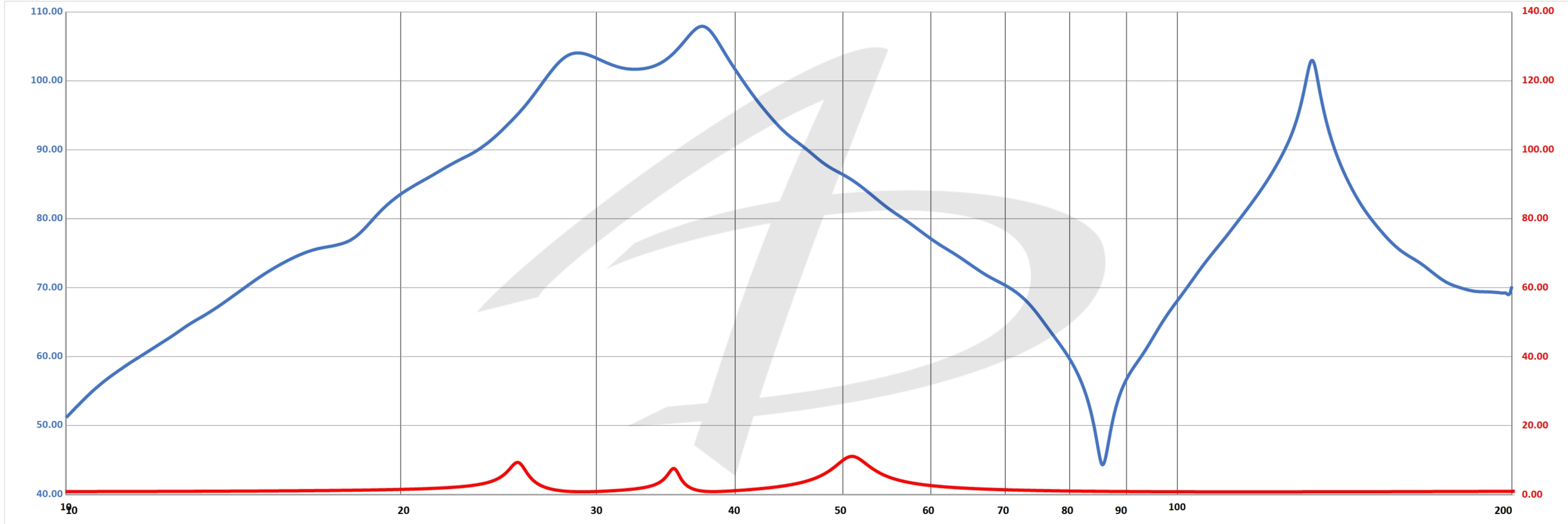
Special Notes
Mount the subs with the motors protruding into the lower chamber.

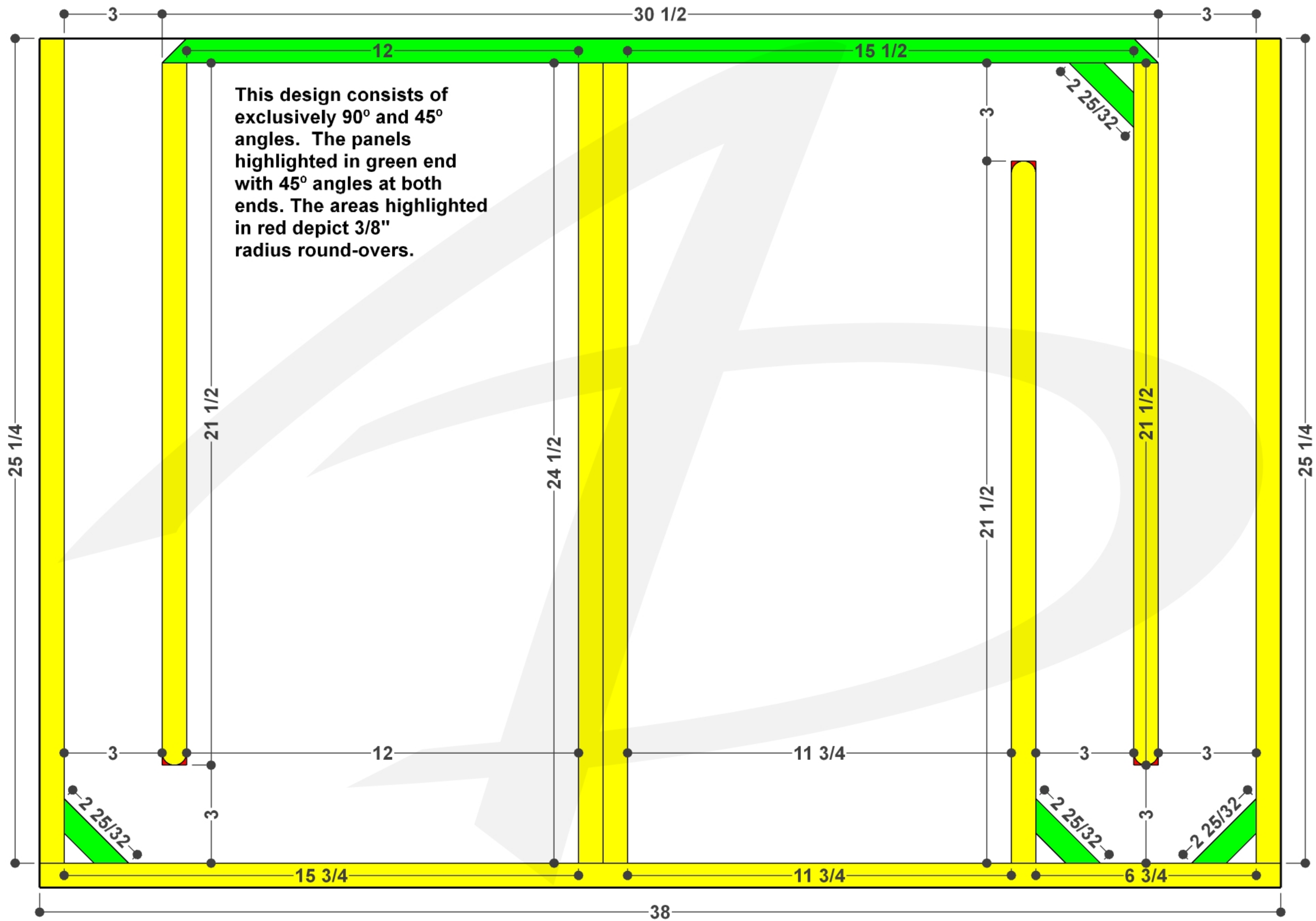
Amplifier Information	
Continuous Power Handling	12,000 W
Subsonic Filter Setting	25 Hz
Low Pass Filter Setting	40 Hz

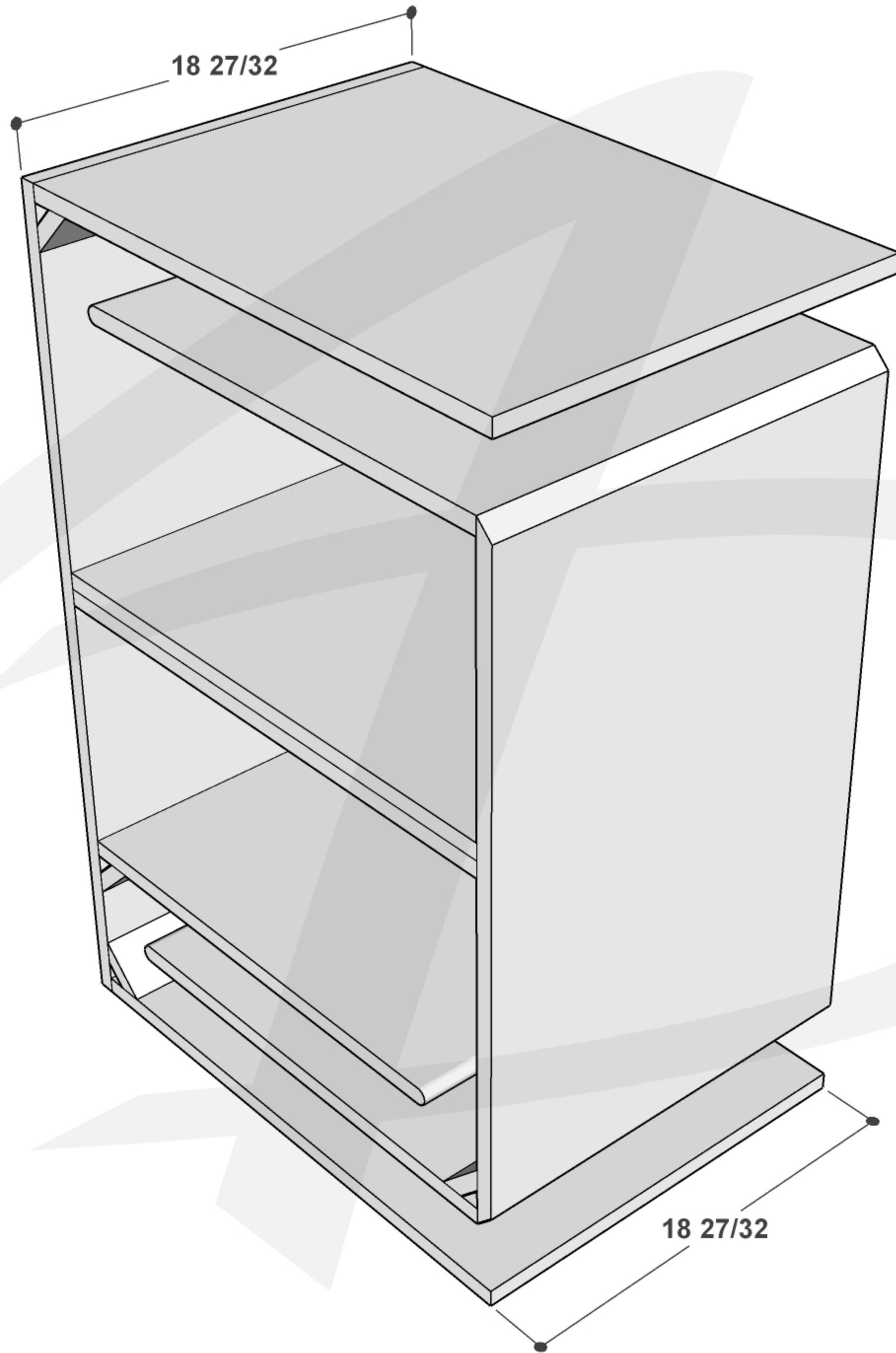
Subwoofer Information	
Make	Audio Dynamics
Model	AD6012 D1
Quantity	6

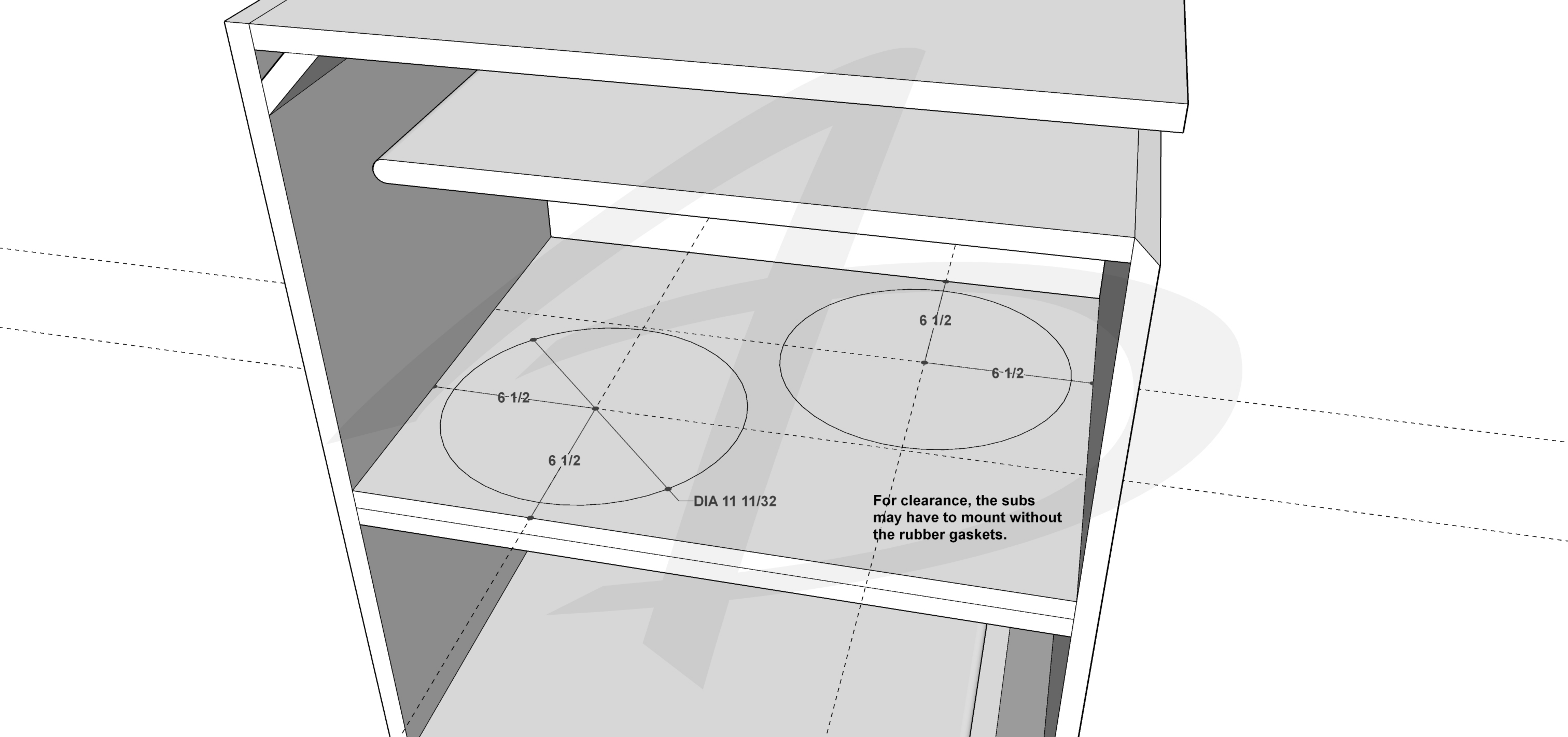
Performance Information	
SQ	<input checked="" type="checkbox"/> Within the Vehicle
<input checked="" type="checkbox"/> SQL	Outside the Vehicle
SPL	Metering Position

Metering Information		
Headrest	Peak Frequency	Hz
Dash / Windshield		
Foot Well		









$6\frac{1}{2}$

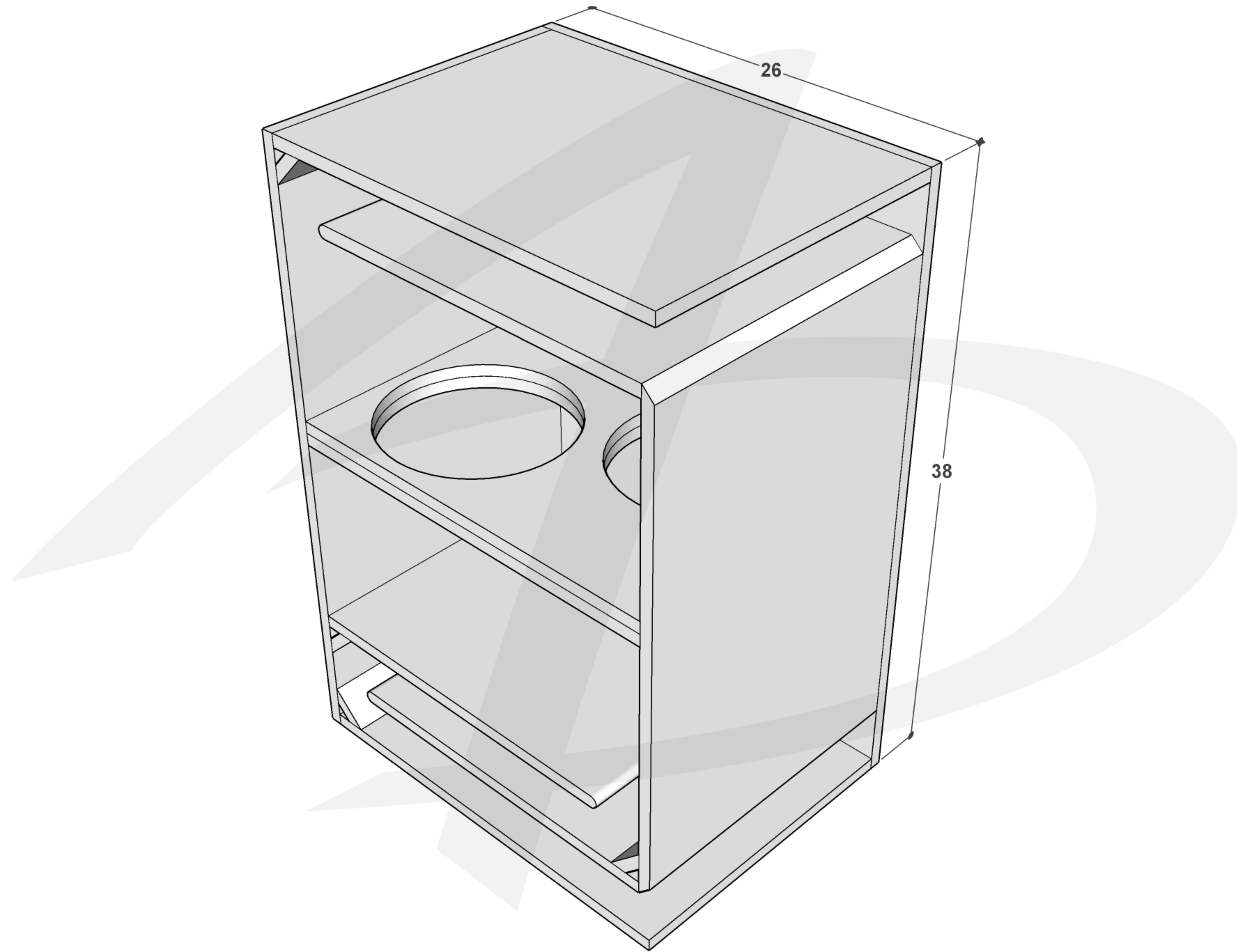
$6\frac{1}{2}$

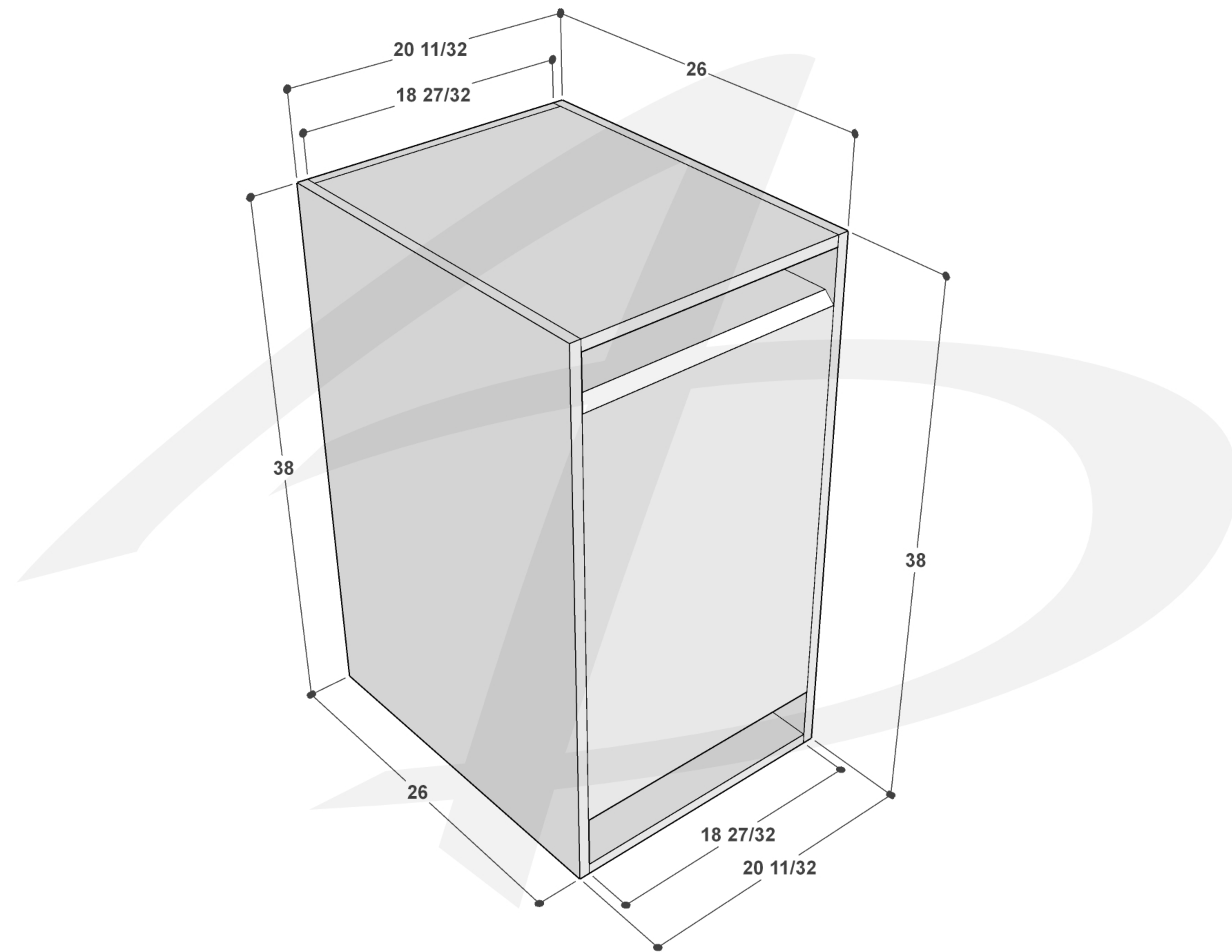
$\text{DIA } 11\frac{11}{32}$

$6\frac{1}{2}$

$6\frac{1}{2}$

**For clearance, the subs
may have to mount without
the rubber gaskets.**





$20 \frac{11}{32}$

$18 \frac{27}{32}$

26

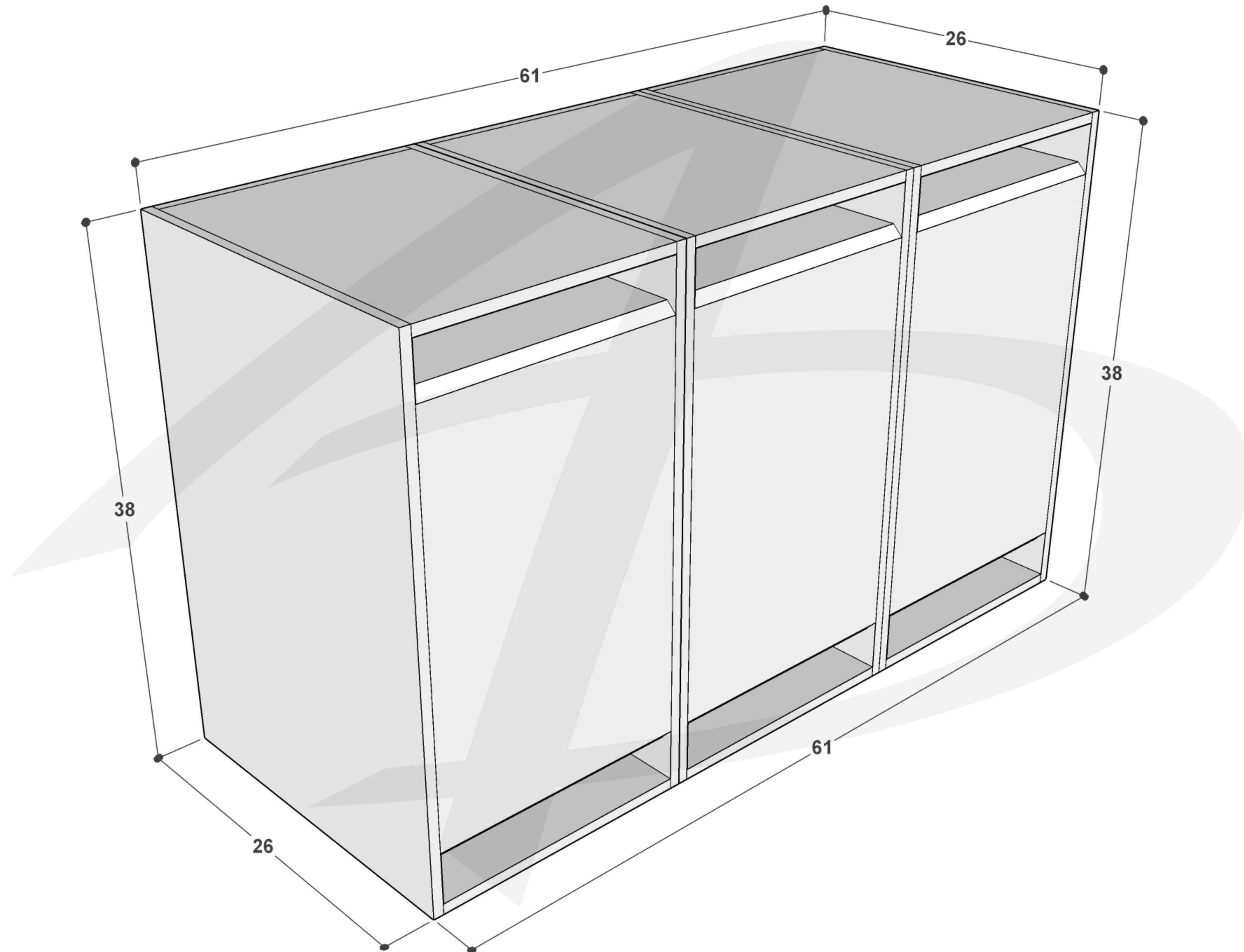
38

38

26

$18 \frac{27}{32}$

$20 \frac{11}{32}$



61

26

38

38

26

61

