



AUDIO DYNAMICS

Vehicle Information	
Year	2017
Make	Ford
Model	Fiesta

Enclosure Information	
Design Type	Bass-Reflex
Placement	Cargo area
Orientation	Position the enclosure with the subs directed upward, vent along the passenger side.

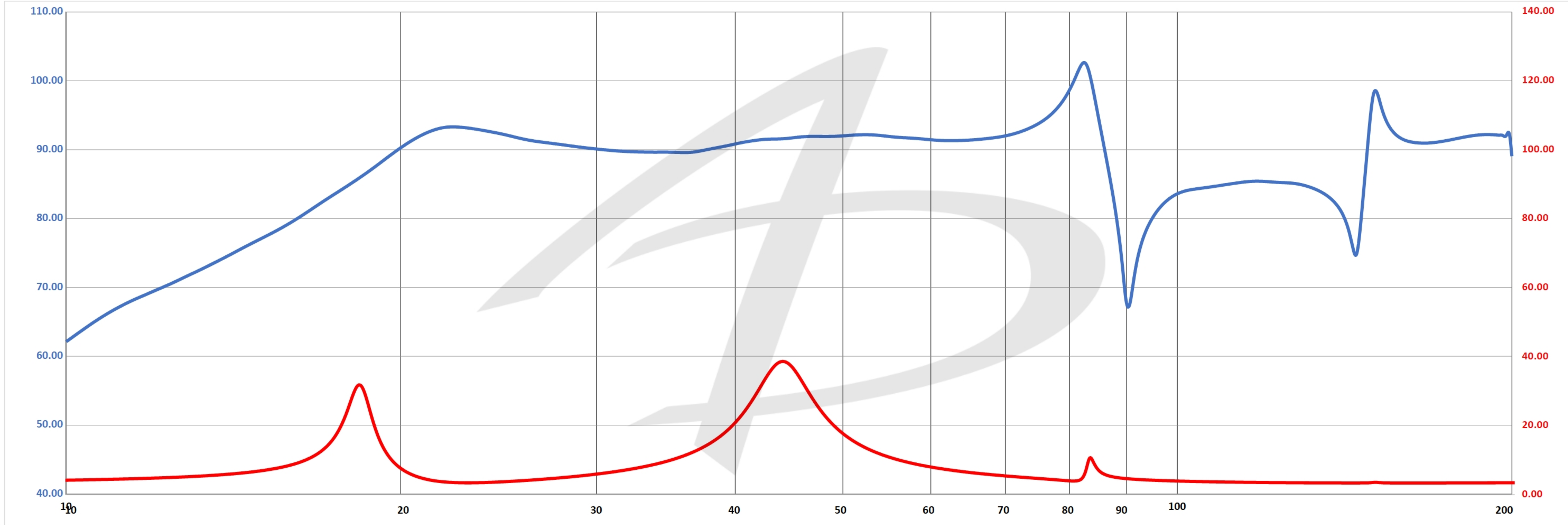
Special Notes

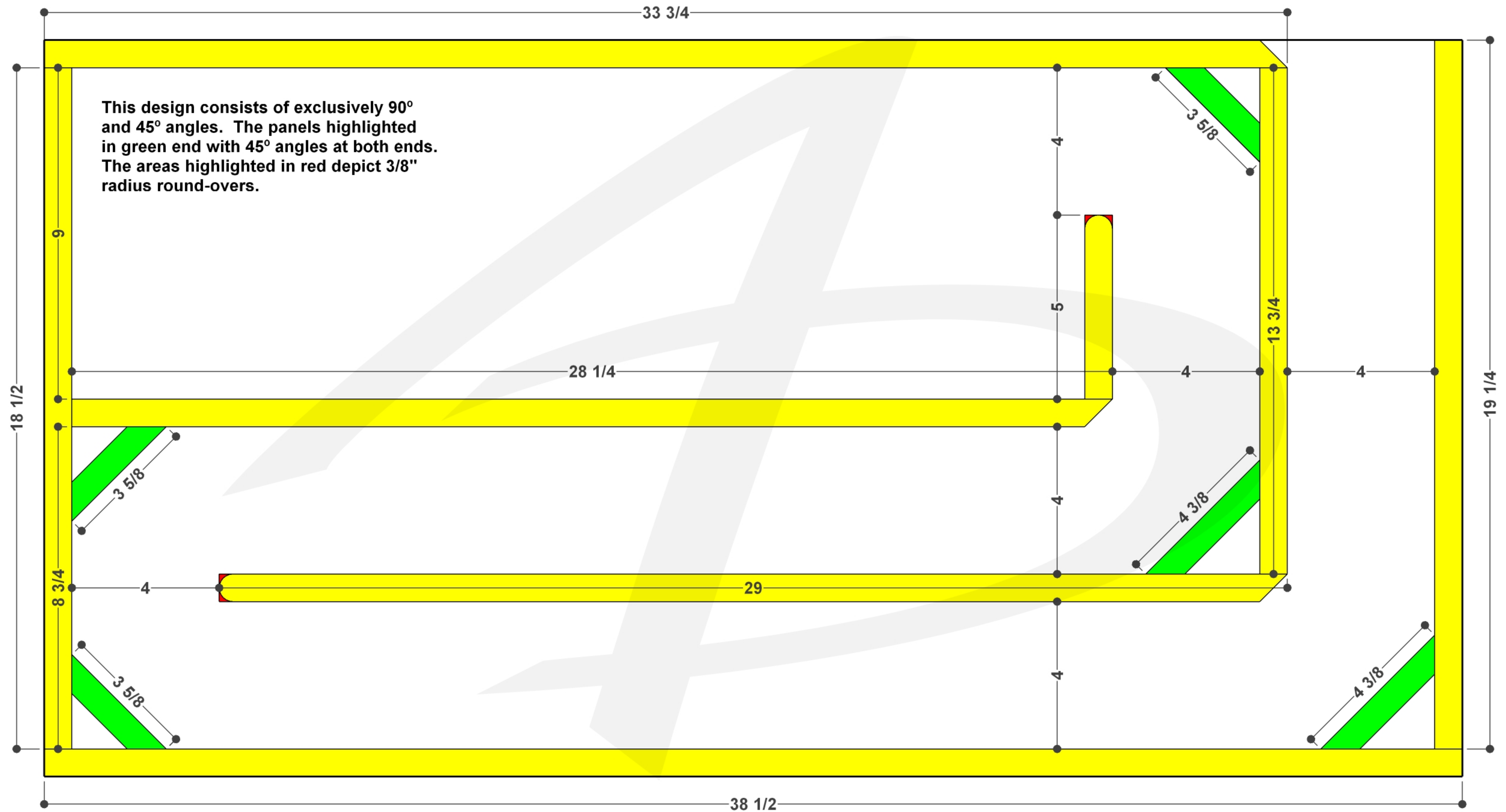
Amplifier Information	
Continuous Power Handling	1,200 W
Subsonic Filter Setting	22 Hz
Low Pass Filter Setting	70 Hz

Subwoofer Information	
Make	Audio Dynamics
Model	AD2310 D4
Quantity	2

Performance Information	
SQ	<input checked="" type="checkbox"/> Within the Vehicle
<input checked="" type="checkbox"/> SQL	Outside the Vehicle
SPL	Metering Position

Metering Information		
Headrest	Peak Frequency	Hz
Dash / Windshield		
Foot Well		





This design consists of exclusively 90° and 45° angles. The panels highlighted in green end with 45° angles at both ends. The areas highlighted in red depict 3/8" radius round-overs.

33 3/4

18 1/2

28 1/4

38 1/2

19 1/4

9

8 3/4

13 3/4

4

5

4

4

4

4

4

3 5/8

3 5/8

3 5/8

4 3/8

4 3/8

29

4

4

4

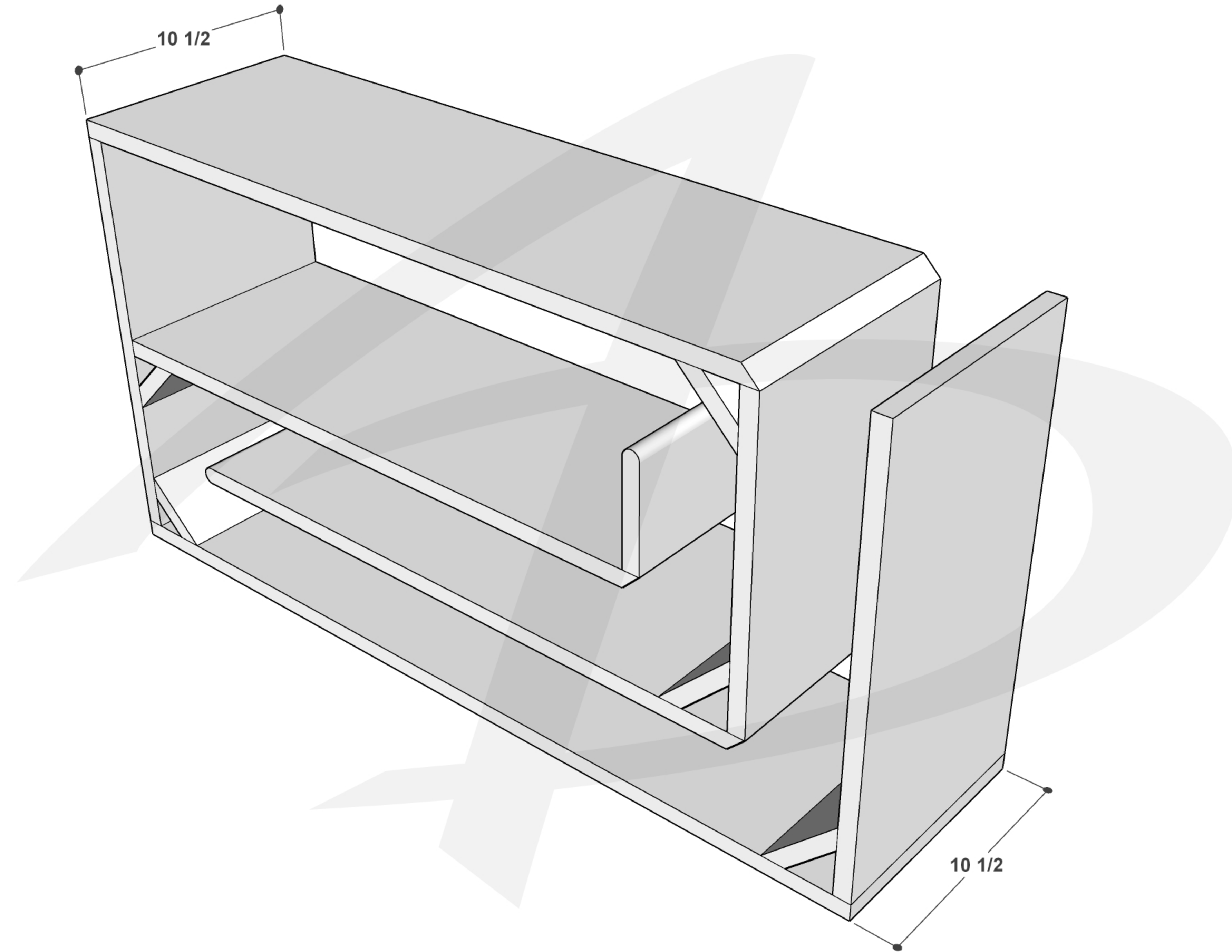
4

4

4

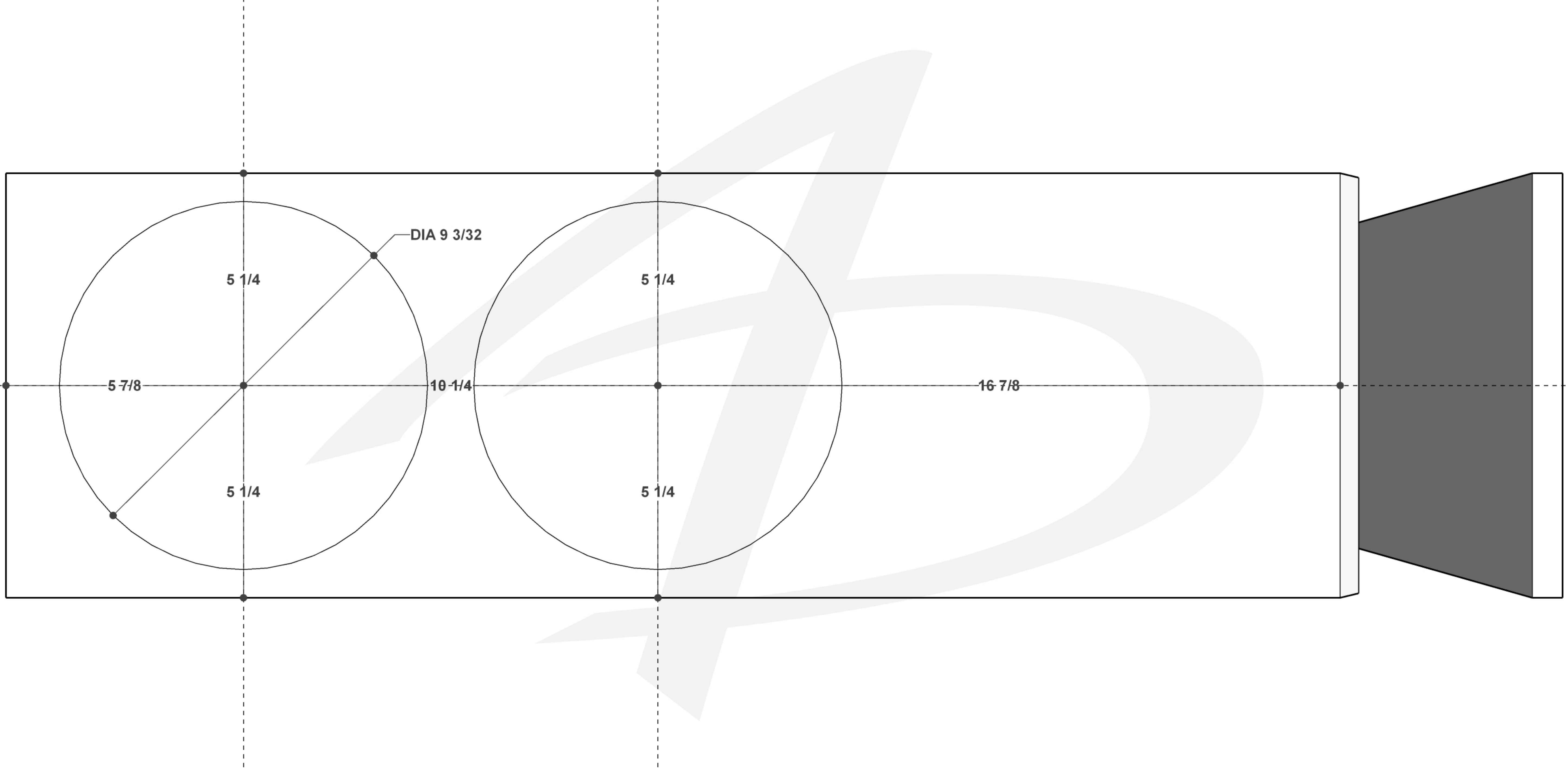
4

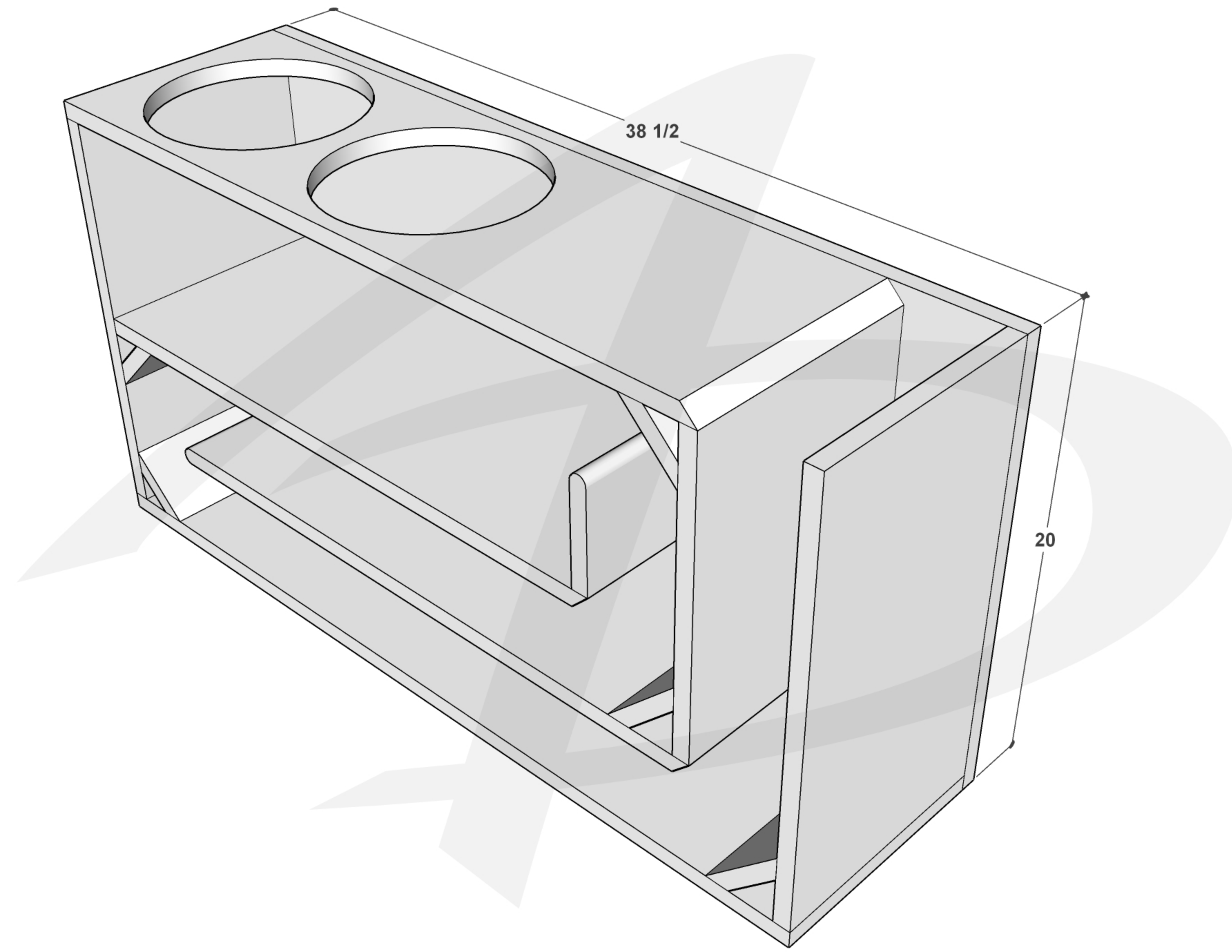
4



10 1/2

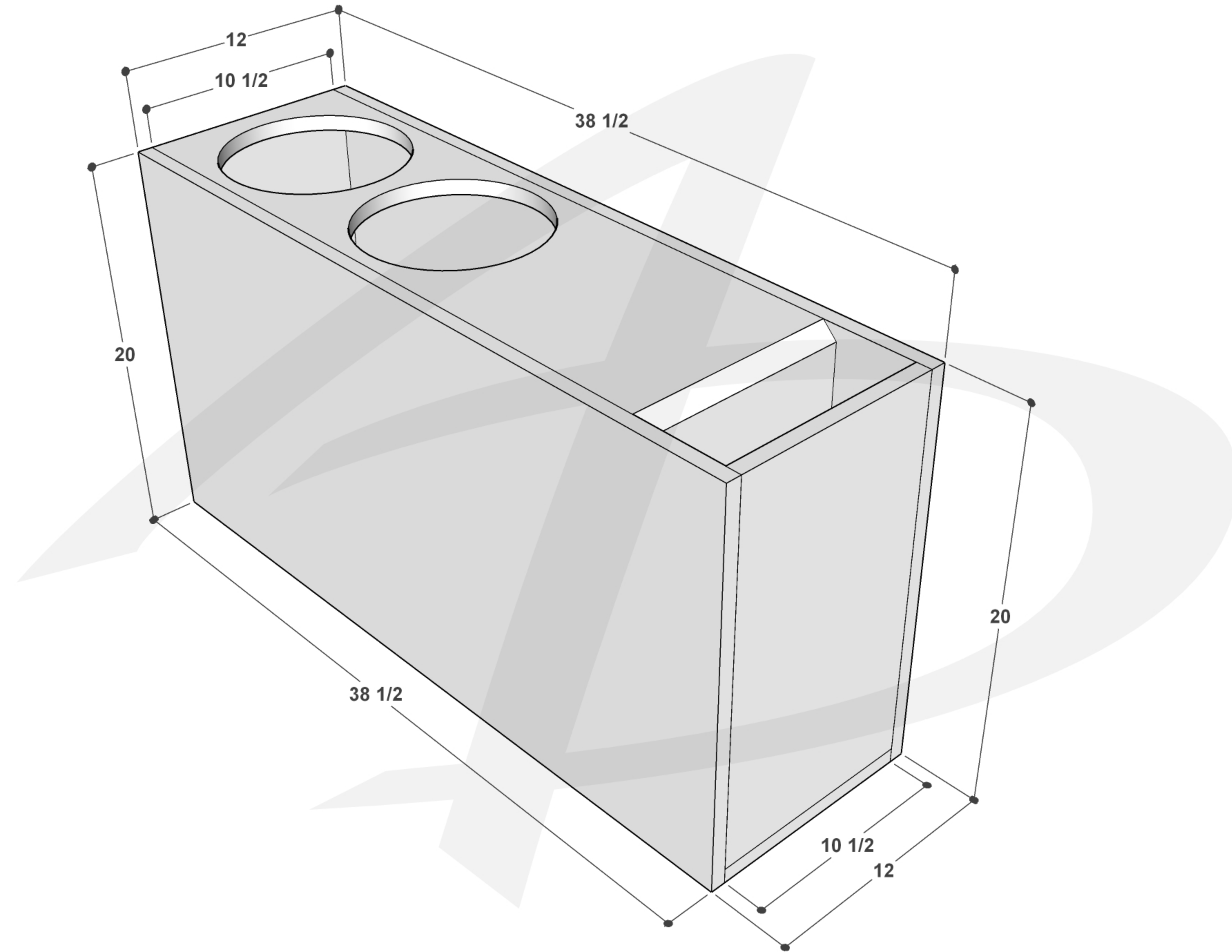
10 1/2





38 1/2

20



12

10 1/2

38 1/2

20

20

38 1/2

10 1/2

12

