



AUDIO DYNAMICS

Vehicle Information	
Year	2003
Make	Chevy
Model	Silverado

Enclosure Information	
Design Type	Bass-Reflex
Placement	In place of rear seats.
Orientation	Position the enclosure with the subs directed upward.

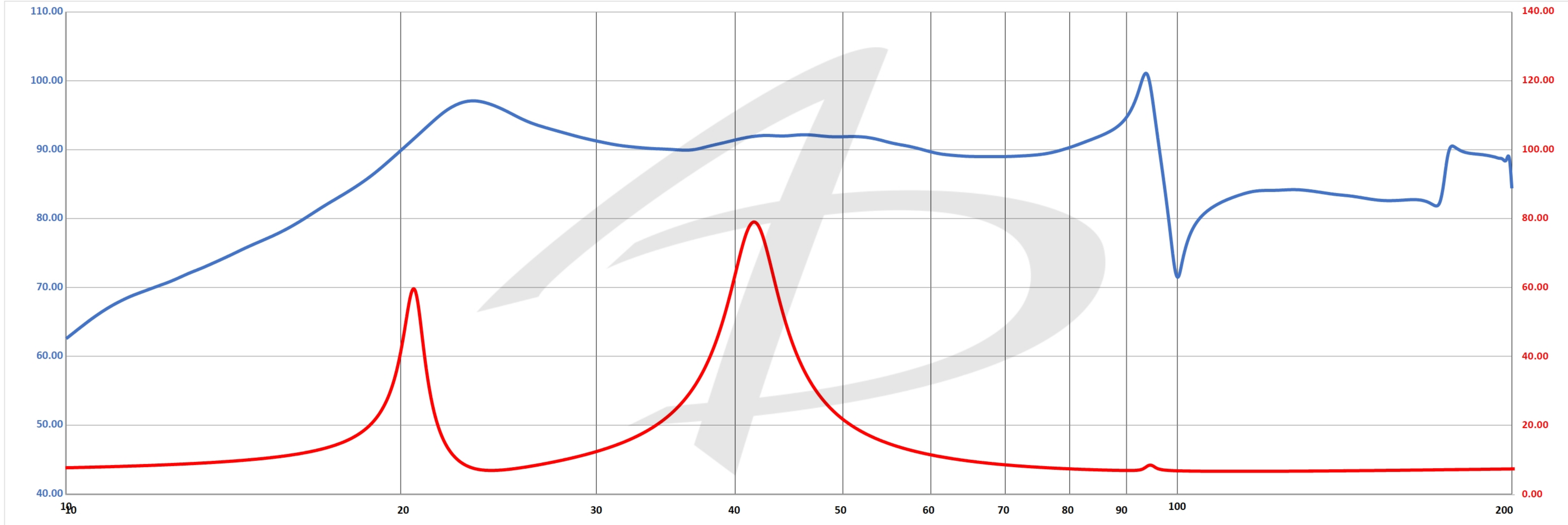
Special Notes

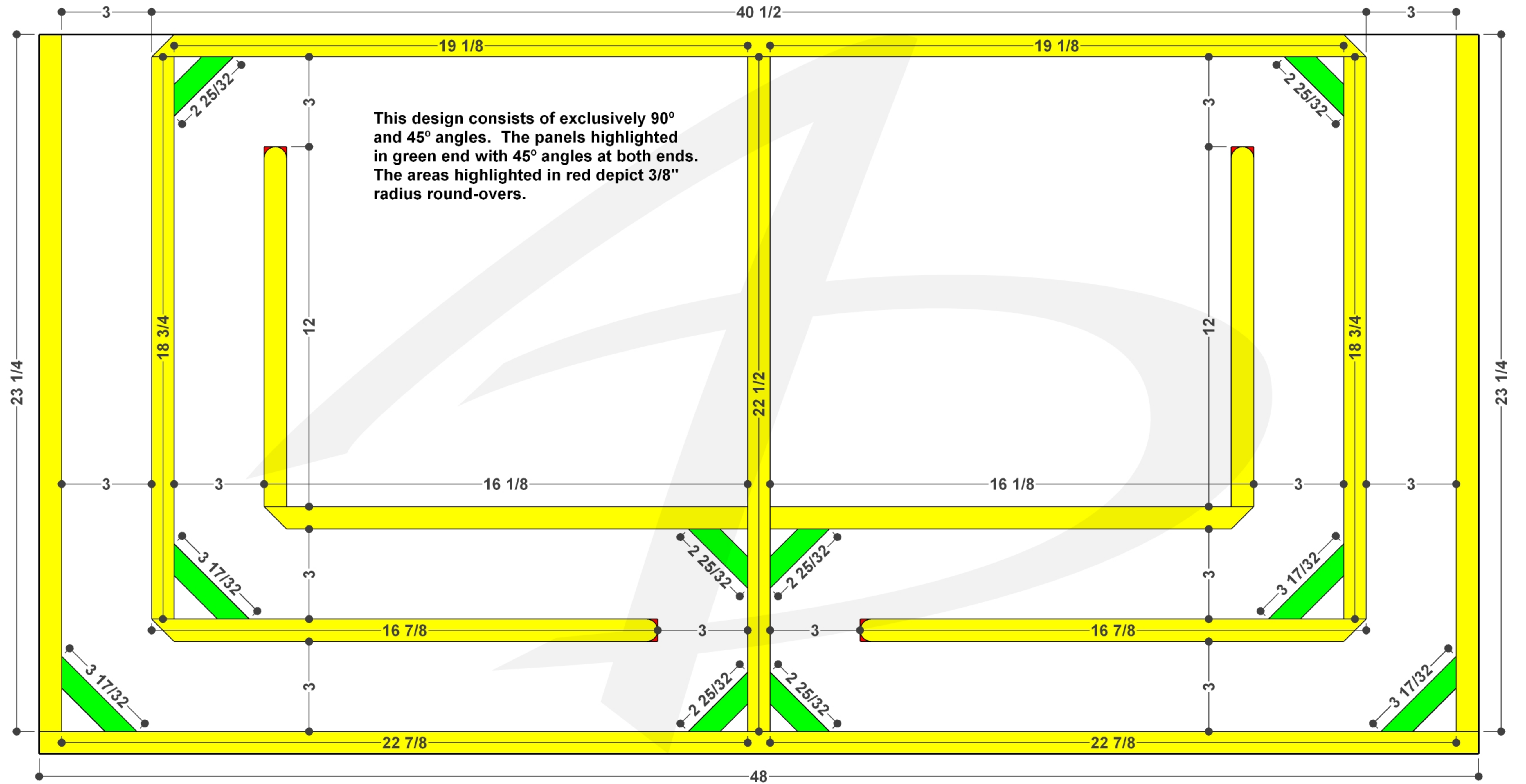
Amplifier Information	
Continuous Power Handling	1,000 W
Subsonic Filter Setting	20 Hz
Low Pass Filter Setting	60 Hz

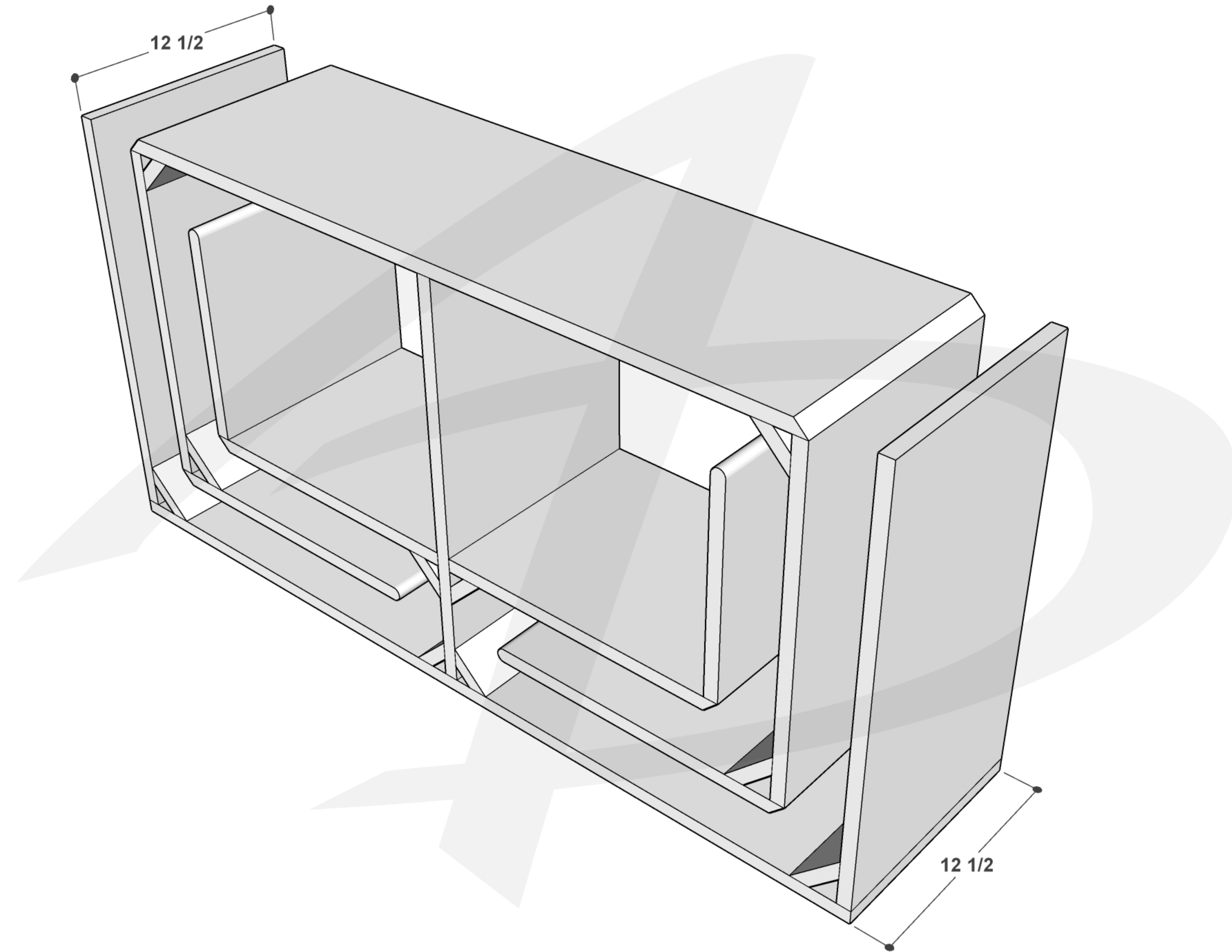
Subwoofer Information	
Make	Audio Dynamics
Model	AD4312 D4
Quantity	2

Performance Information	
SQ	<input checked="" type="checkbox"/> Within the Vehicle
<input checked="" type="checkbox"/> SQL	Outside the Vehicle
SPL	Metering Position

Metering Information		
Headrest	Peak Frequency	Hz
Dash / Windshield		
Foot Well		







12 1/2

12 1/2

