

Vehicle Information	
Year	2025
Make	Dodge
Model	Ram

Enclosure Information	
Design Type	6 <sup>th</sup> Order Series-Tuned Bandpass
Placement	Truck Bed
Orientation	Position the enclosure with the vent directed into the main cabin.



**AUDIO DYNAMICS**

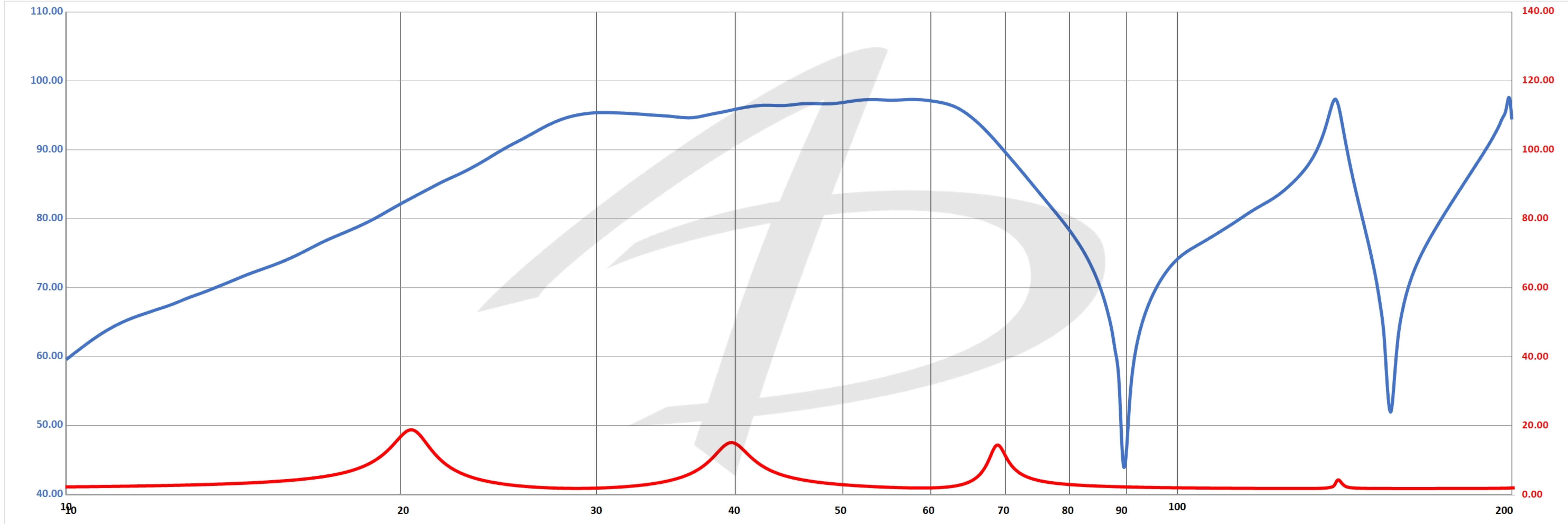
Special Notes	

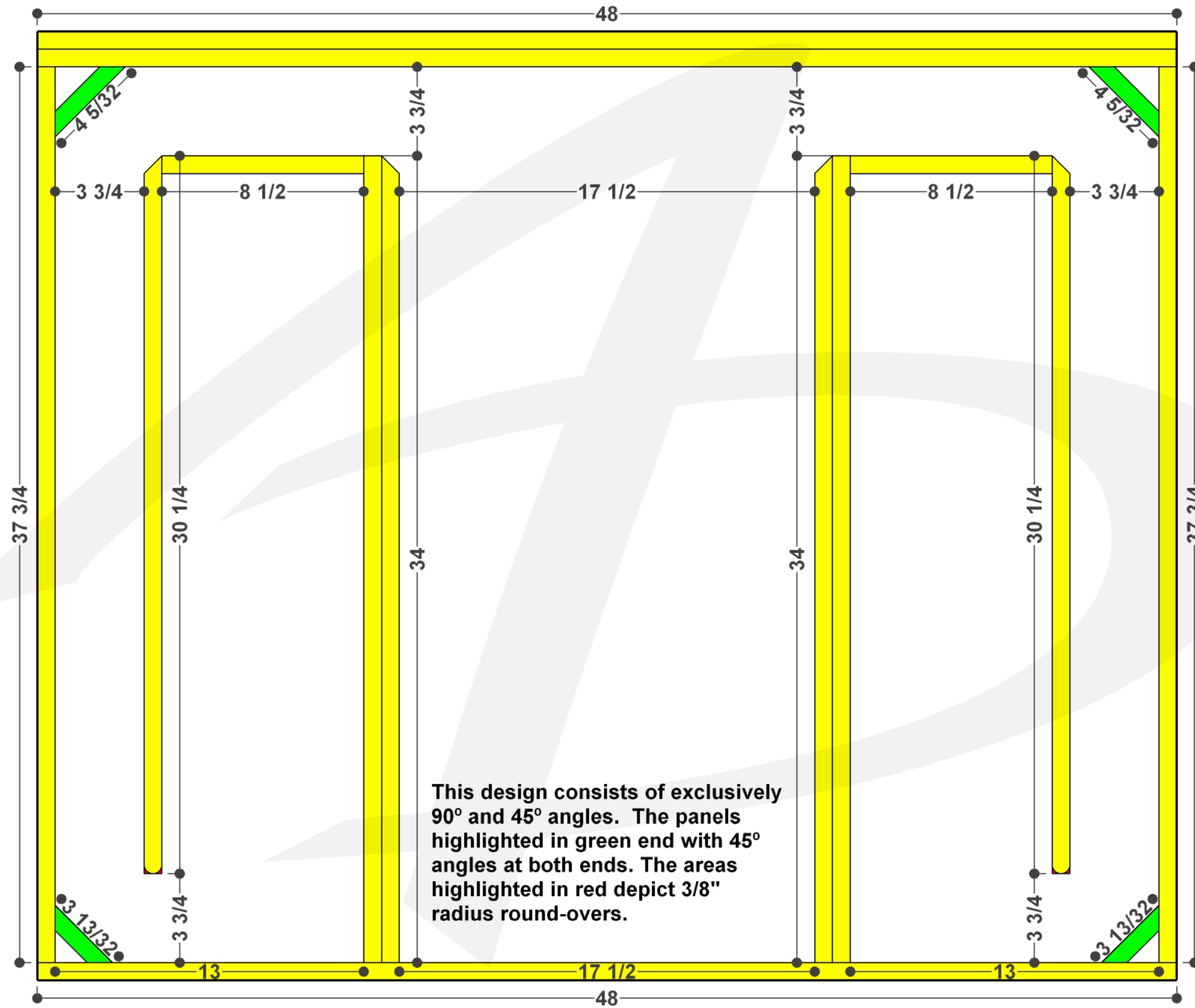
Amplifier Information	
Continuous Power Handling	6,000 W
Subsonic Filter Setting	24 Hz
Low Pass Filter Setting	65 Hz

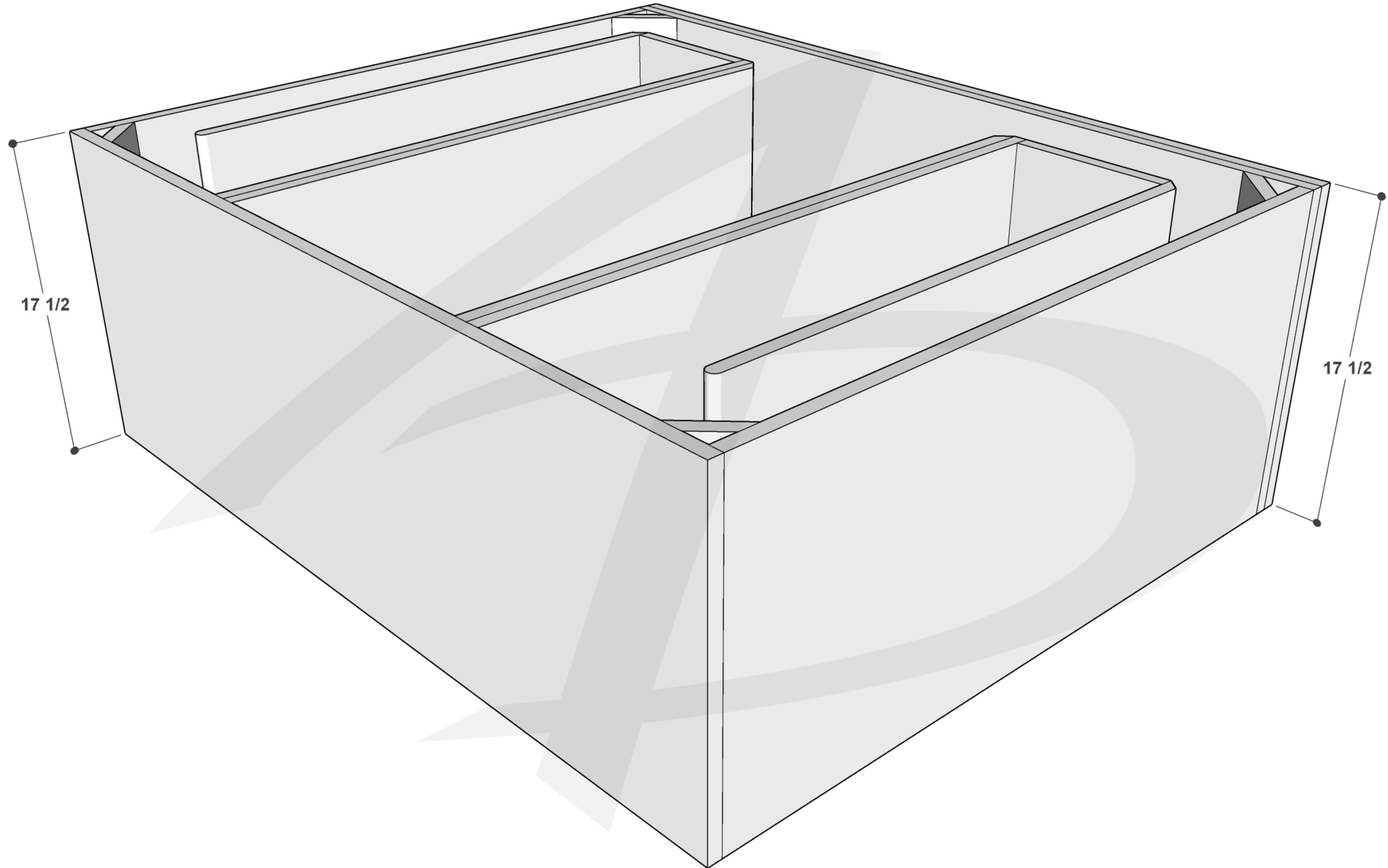
Subwoofer Information	
Make	Audio Dynamics
Model	AD4215 D4
Quantity	4

Performance Information	
SQ	<input checked="" type="checkbox"/> Within the Vehicle
<input checked="" type="checkbox"/> SQL	Outside the Vehicle
SPL	Metering Position

Metering Information		
Headrest	Peak Frequency	Hz
Dash / Windshield		
Foot Well		

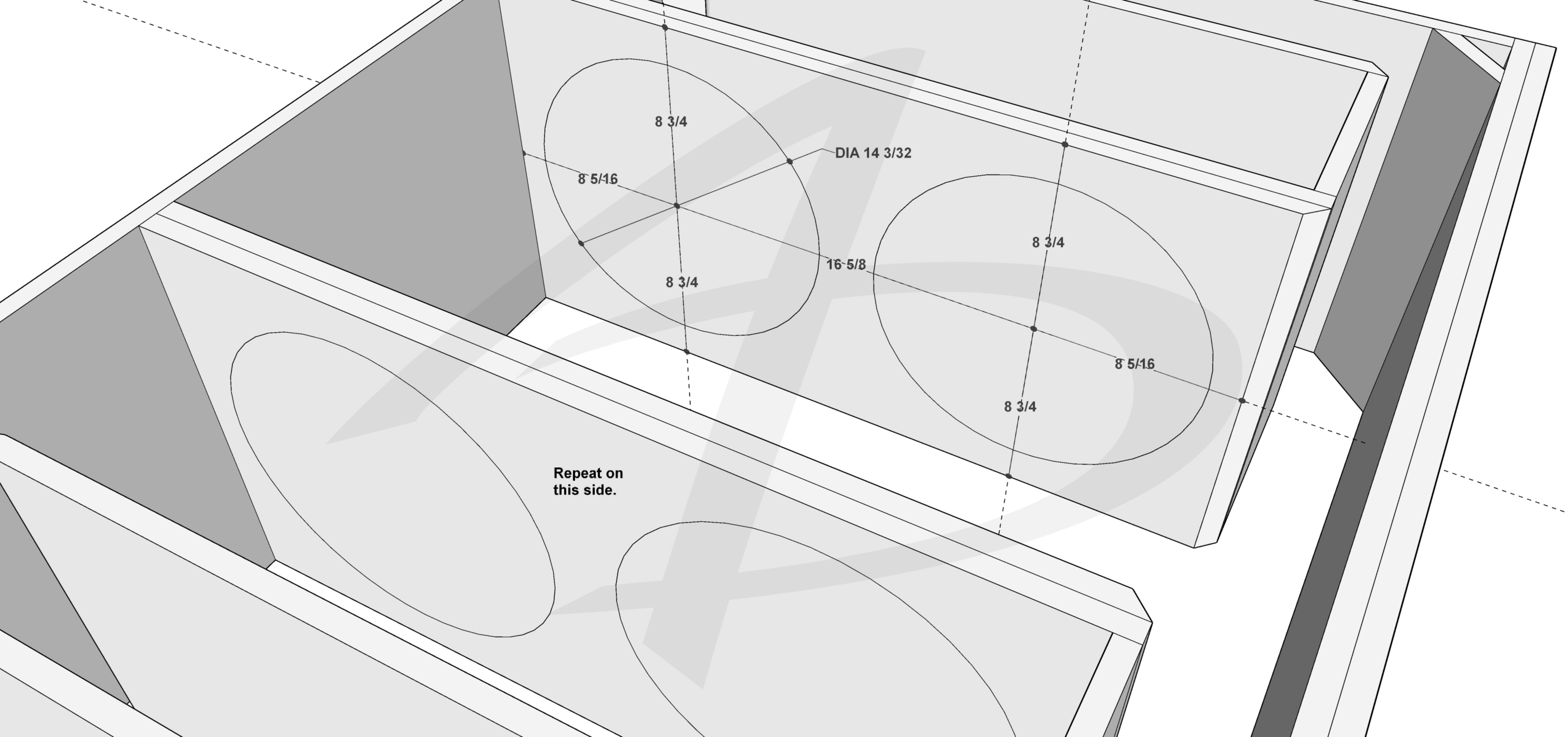


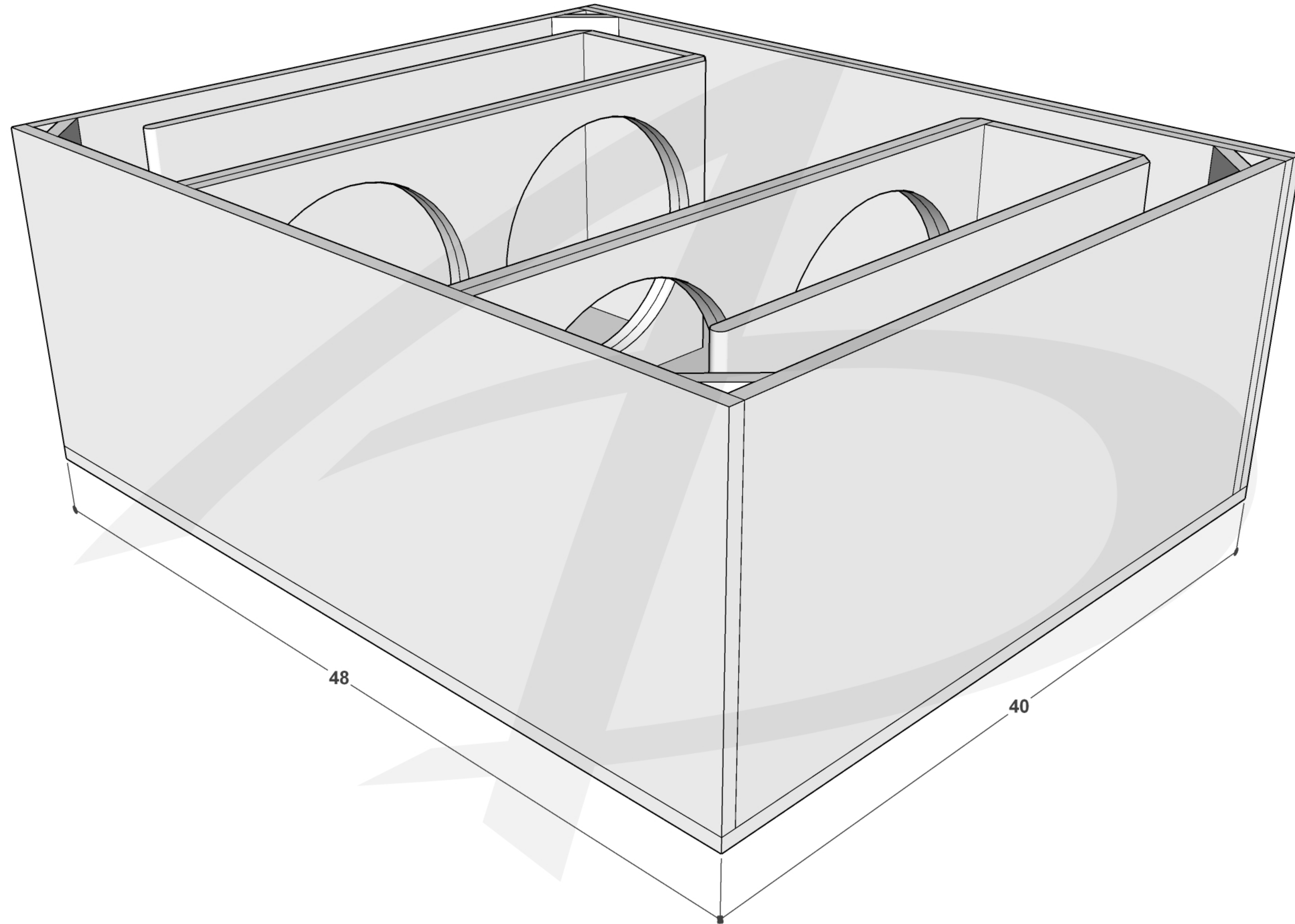


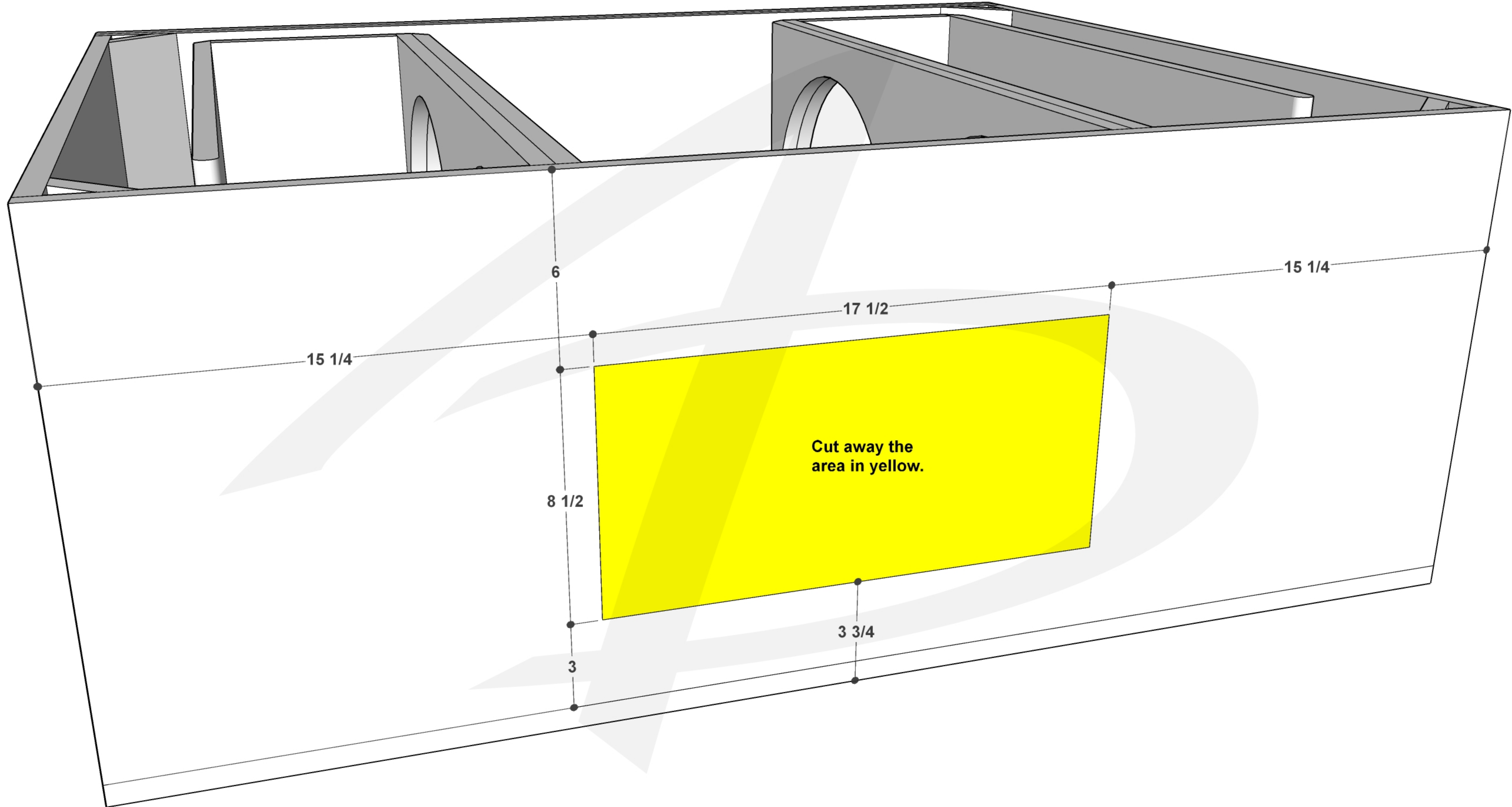


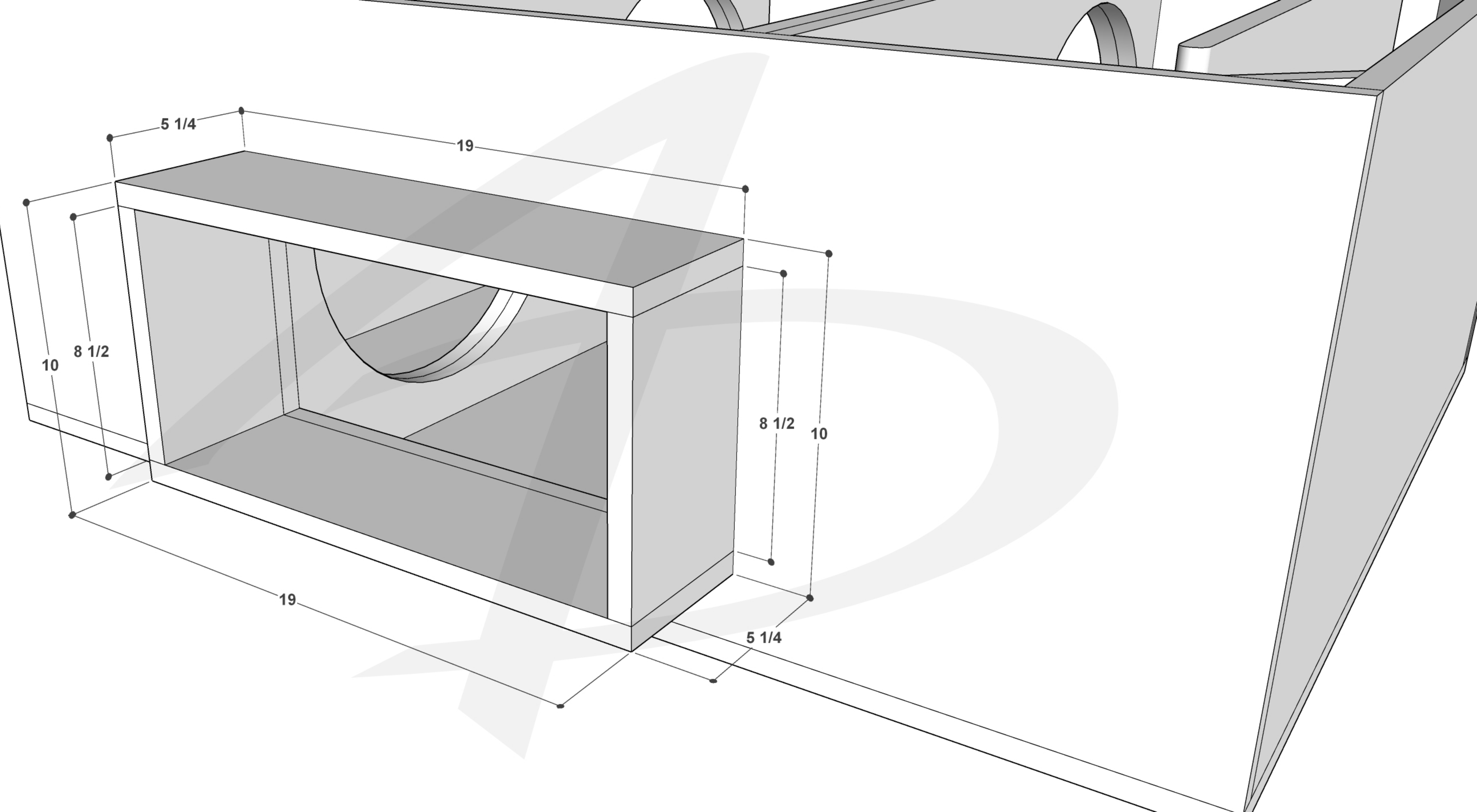
17 1/2

17 1/2









5 1/4

19

10

8 1/2

8 1/2

10

19

5 1/4

