

Vehicle Information	
Year	2026
Make	Kia
Model	K4 Wagon

Enclosure Information	
Design Type	Bass-Reflex
Placement	Cargo area
Orientation	Position the enclosure with the subs directed upward, vents directed rearward.



**AUDIO DYNAMICS**

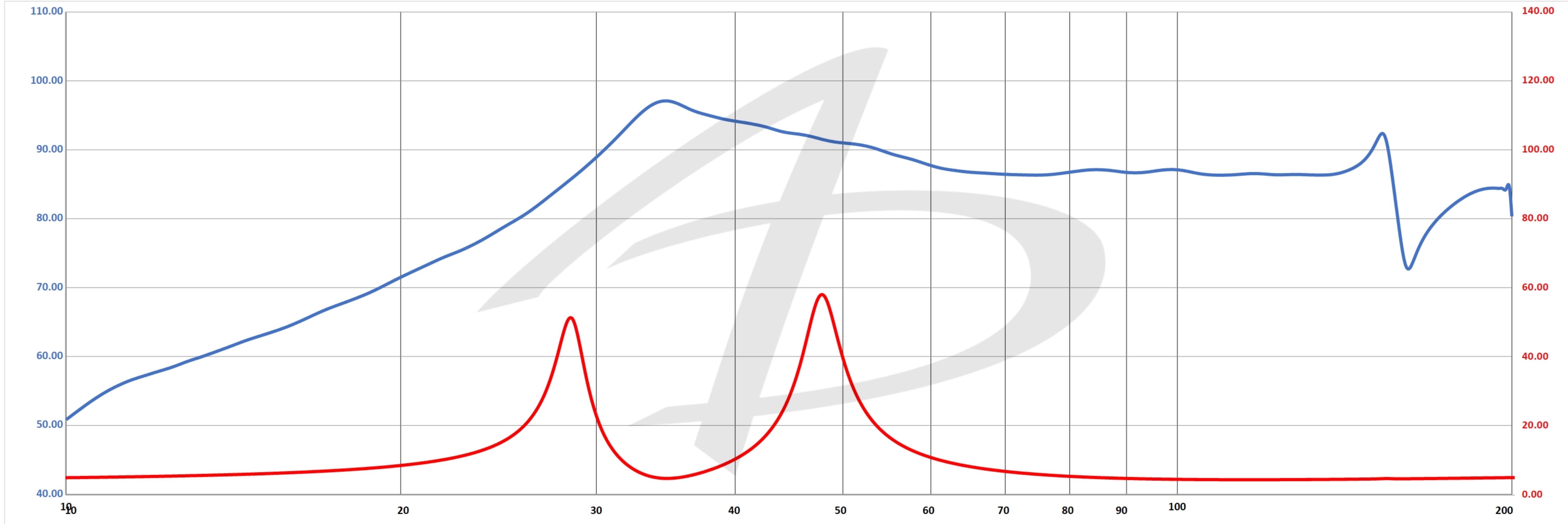
Special Notes

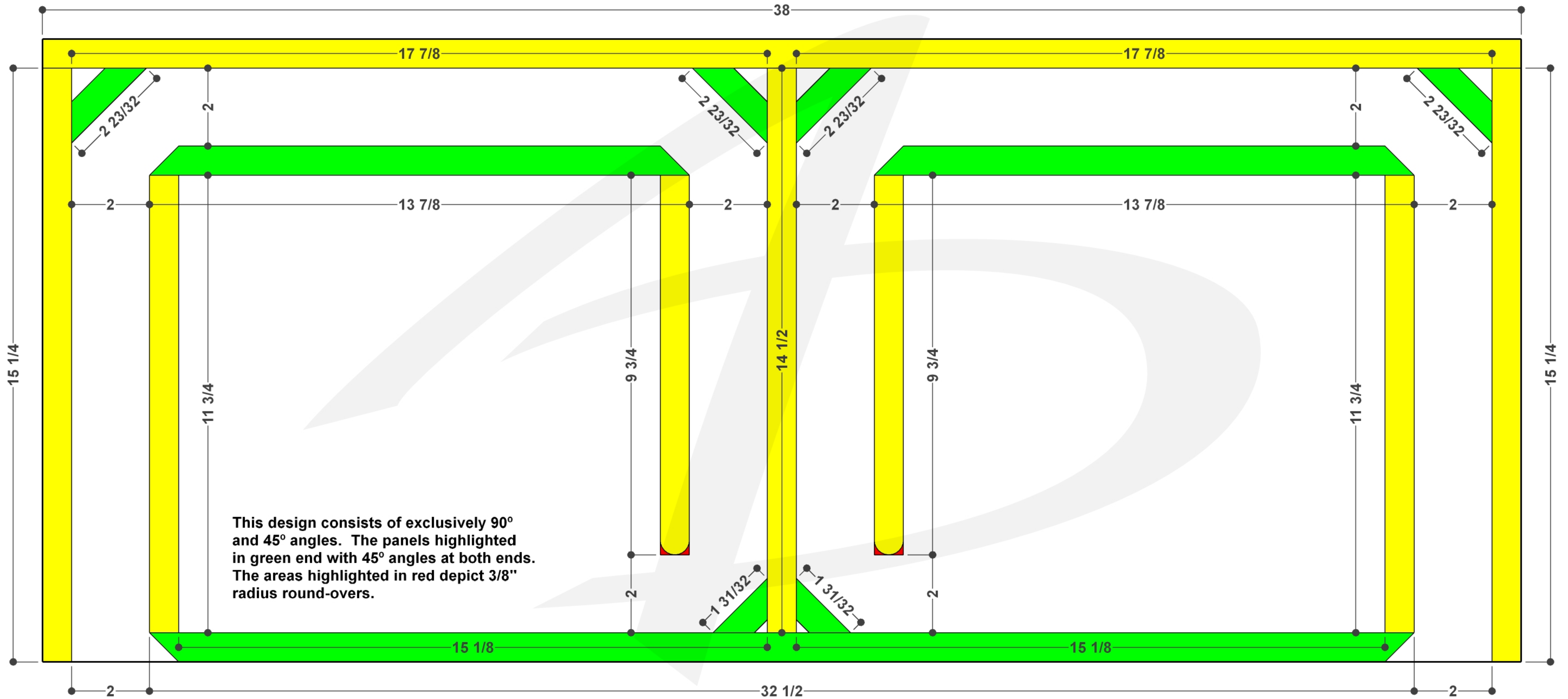
Amplifier Information	
Continuous Power Handling	1,000 W
Subsonic Filter Setting	30 Hz
Low Pass Filter Setting	50 Hz

Subwoofer Information	
Make	Audio Dynamics
Model	AD4310 D2
Quantity	2

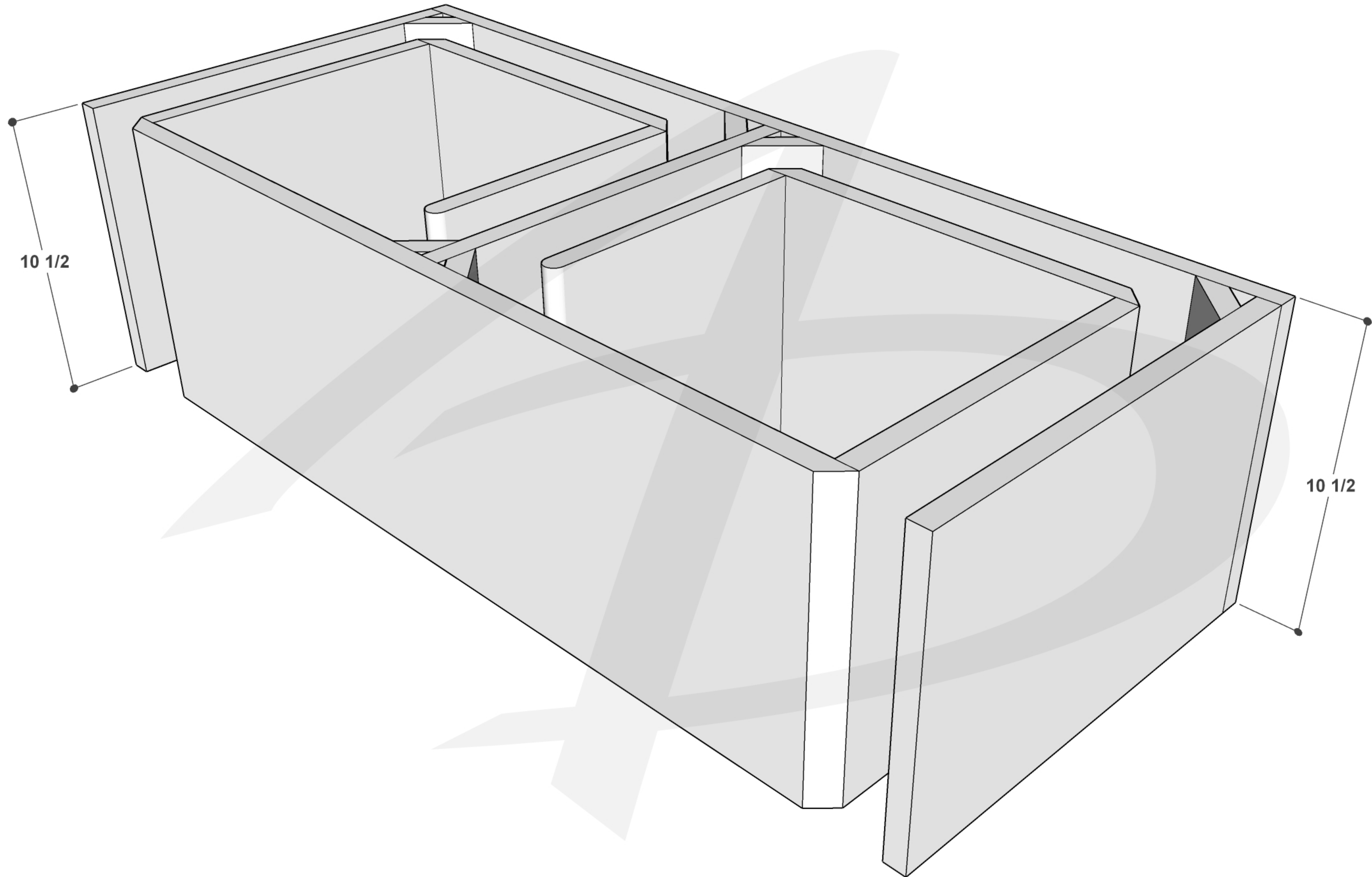
Performance Information	
SQ	<input checked="" type="checkbox"/> Within the Vehicle
<input checked="" type="checkbox"/> SQL	Outside the Vehicle
SPL	Metering Position

Metering Information		
Headrest	Peak Frequency	Hz
Dash / Windshield		
Foot Well		



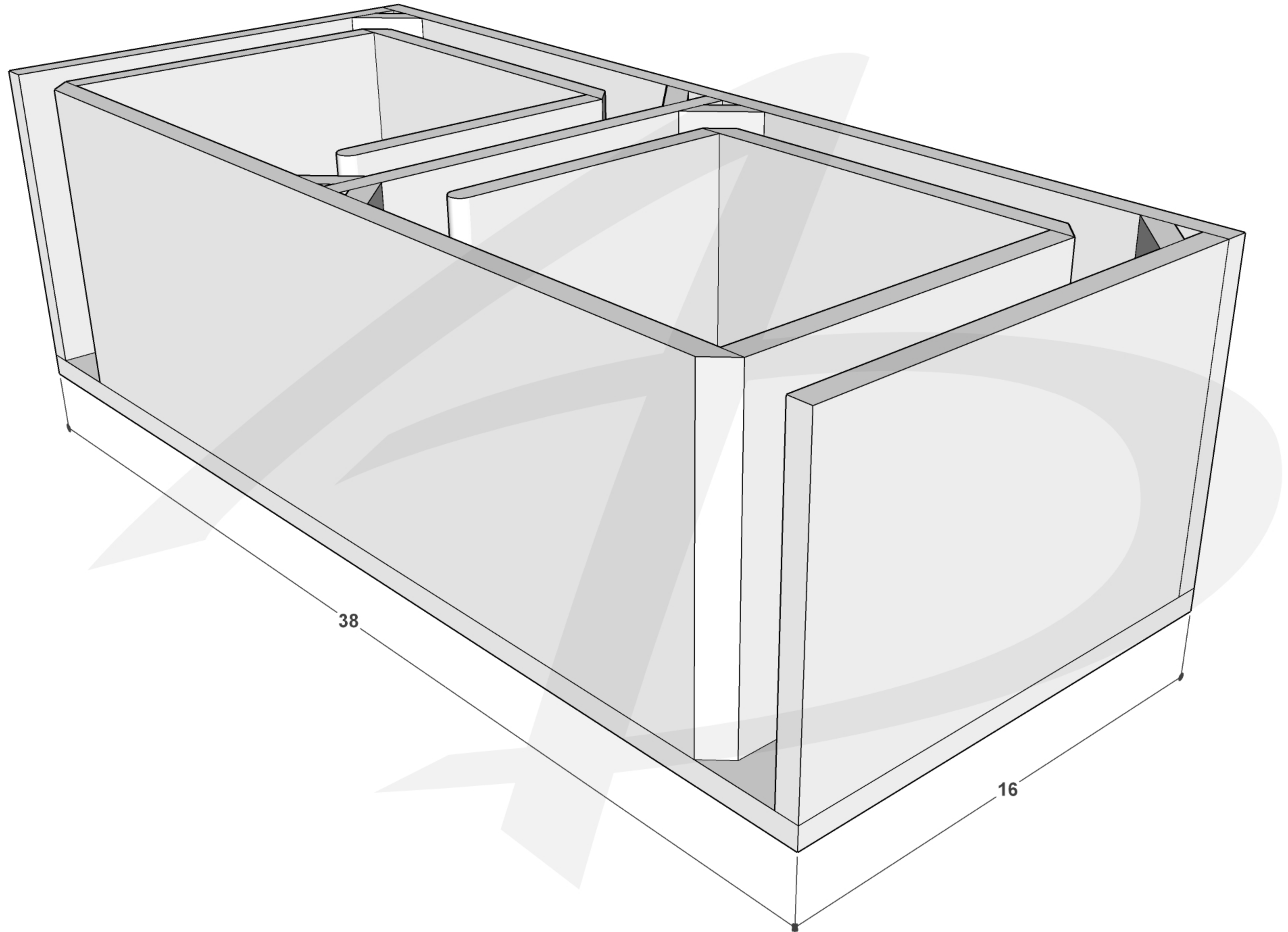


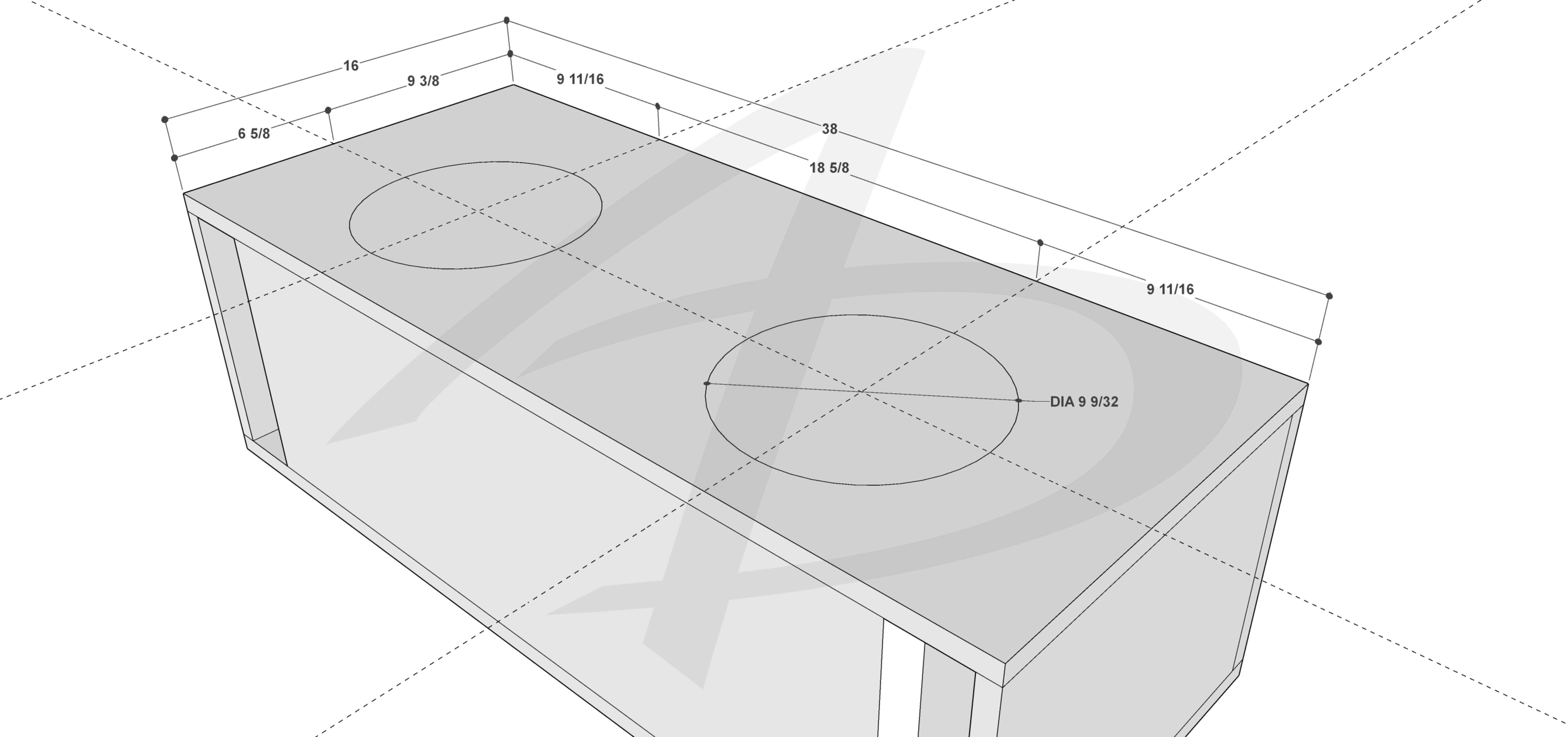
This design consists of exclusively 90° and 45° angles. The panels highlighted in green end with 45° angles at both ends. The areas highlighted in red depict 3/8" radius round-overs.



10 1/2

10 1/2





6 5/8

16

9 3/8

9 11/16

38

18 5/8

9 11/16

DIA 9 9/32

