



AUDIO DYNAMICS

Vehicle Information	
Year	2024
Make	Acura
Model	Integra A Spec

Enclosure Information	
Design Type	Sealed
Placement	Cargo area
Orientation	Position the enclosure with the subs directed rearward.

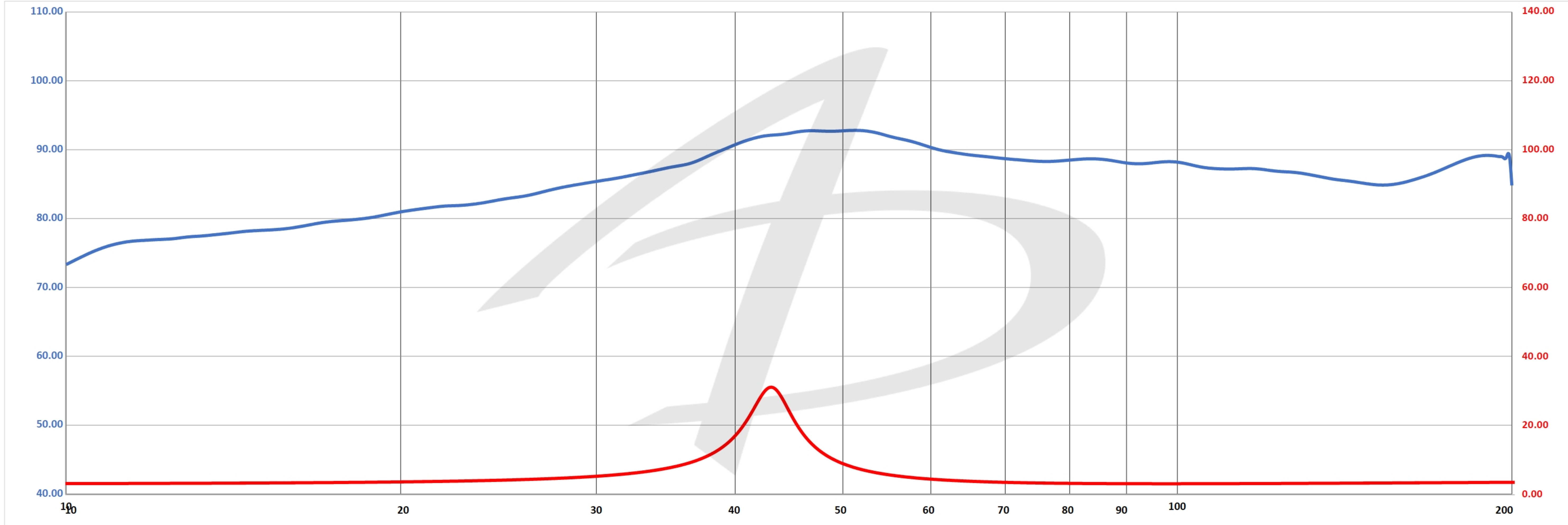
Special Notes

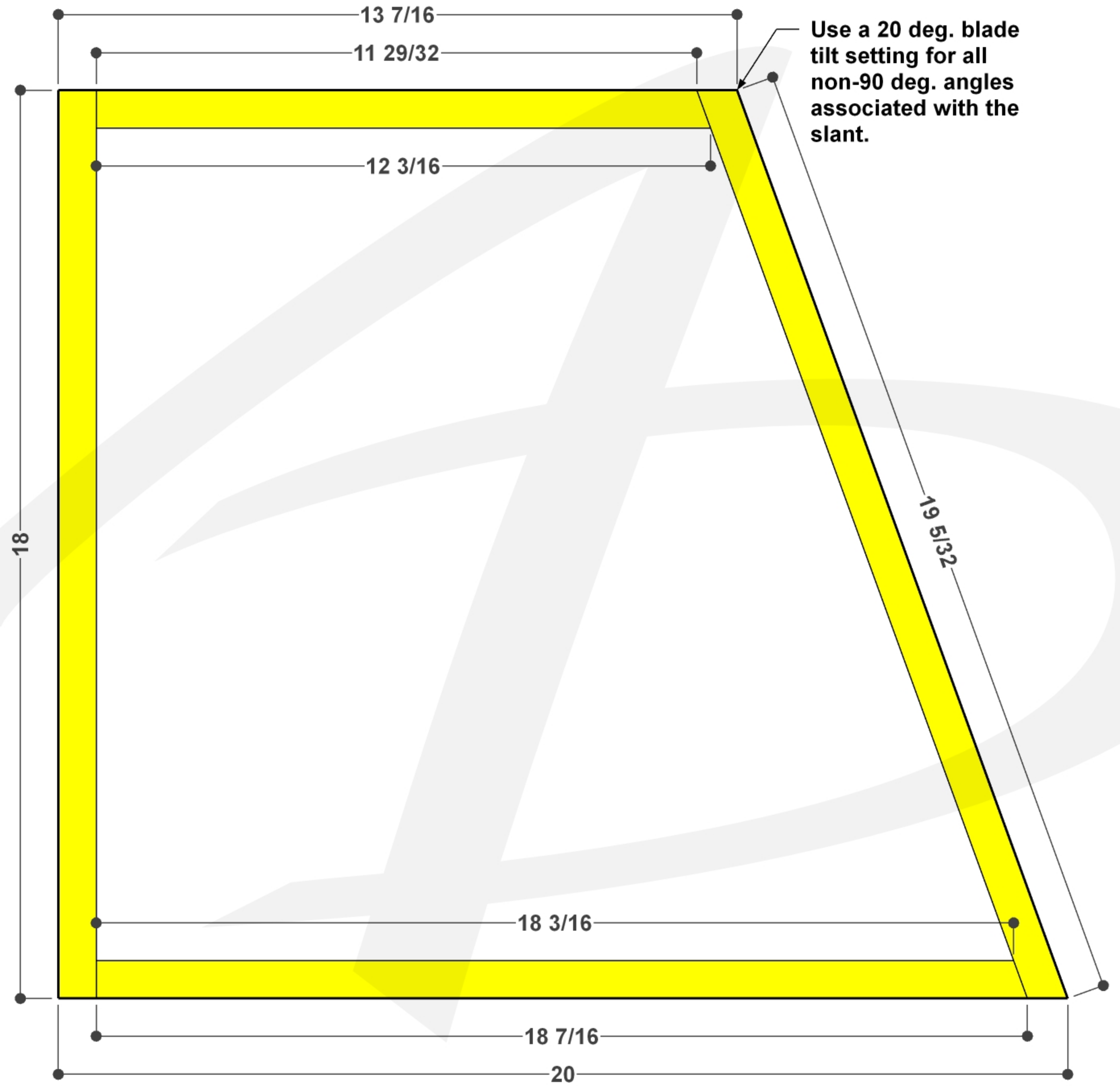
Amplifier Information	
Continuous Power Handling	3,000 W
Subsonic Filter Setting	38 Hz
Low Pass Filter Setting	65 Hz

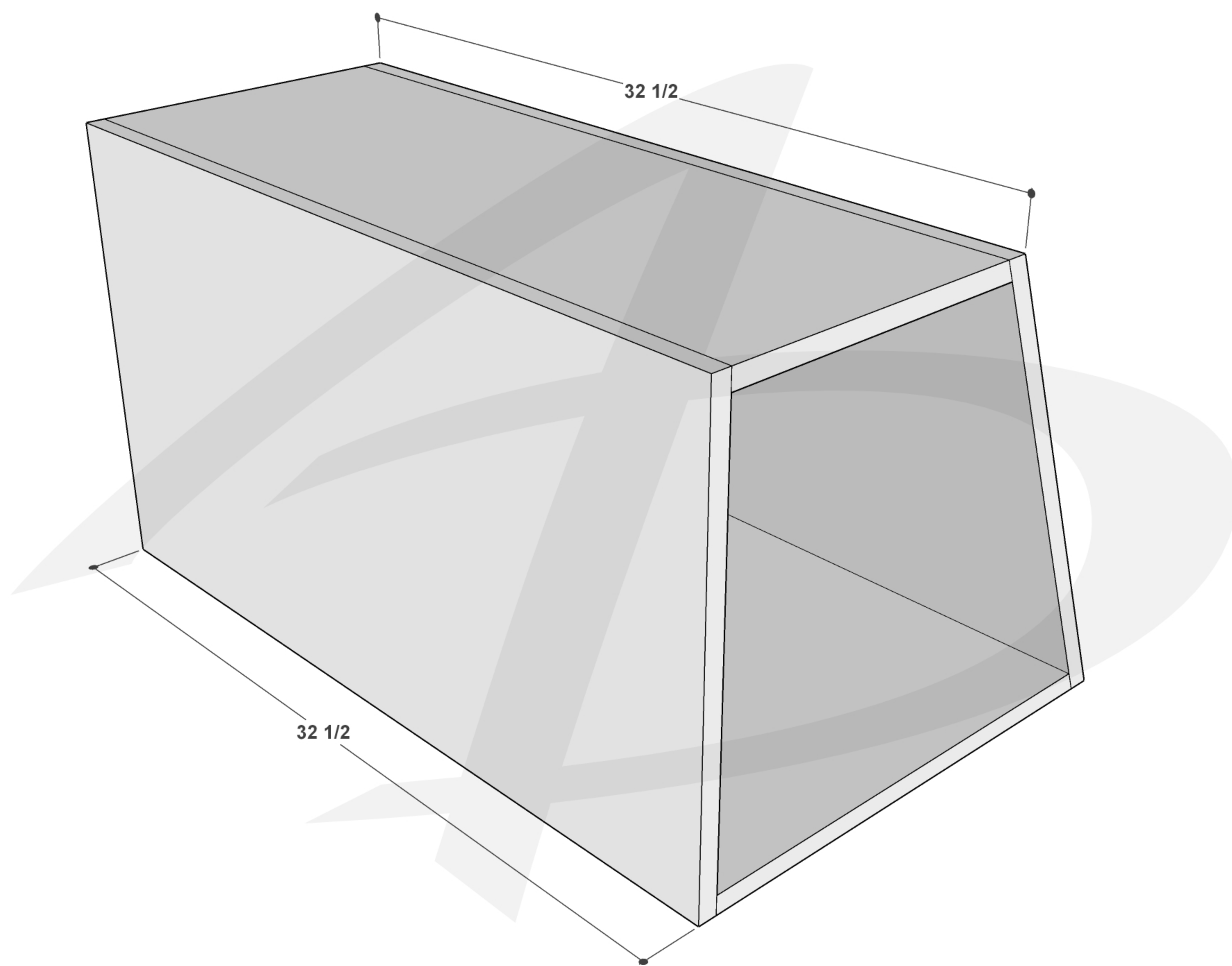
Subwoofer Information	
Make	Audio Dynamics
Model	AD5015 D4
Quantity	2

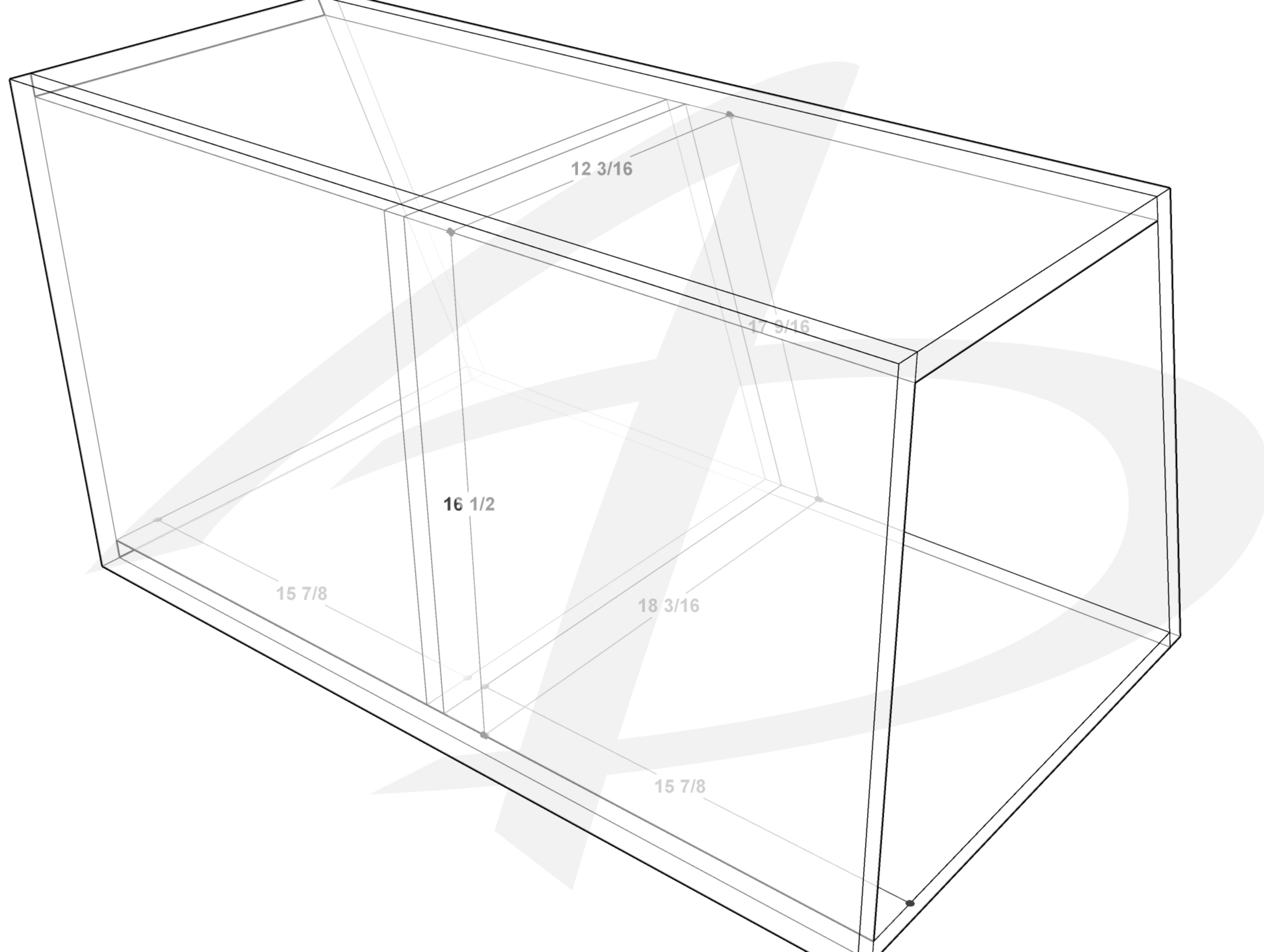
Performance Information	
SQ	<input checked="" type="checkbox"/> Within the Vehicle
<input checked="" type="checkbox"/> SQL	Outside the Vehicle
SPL	Metering Position

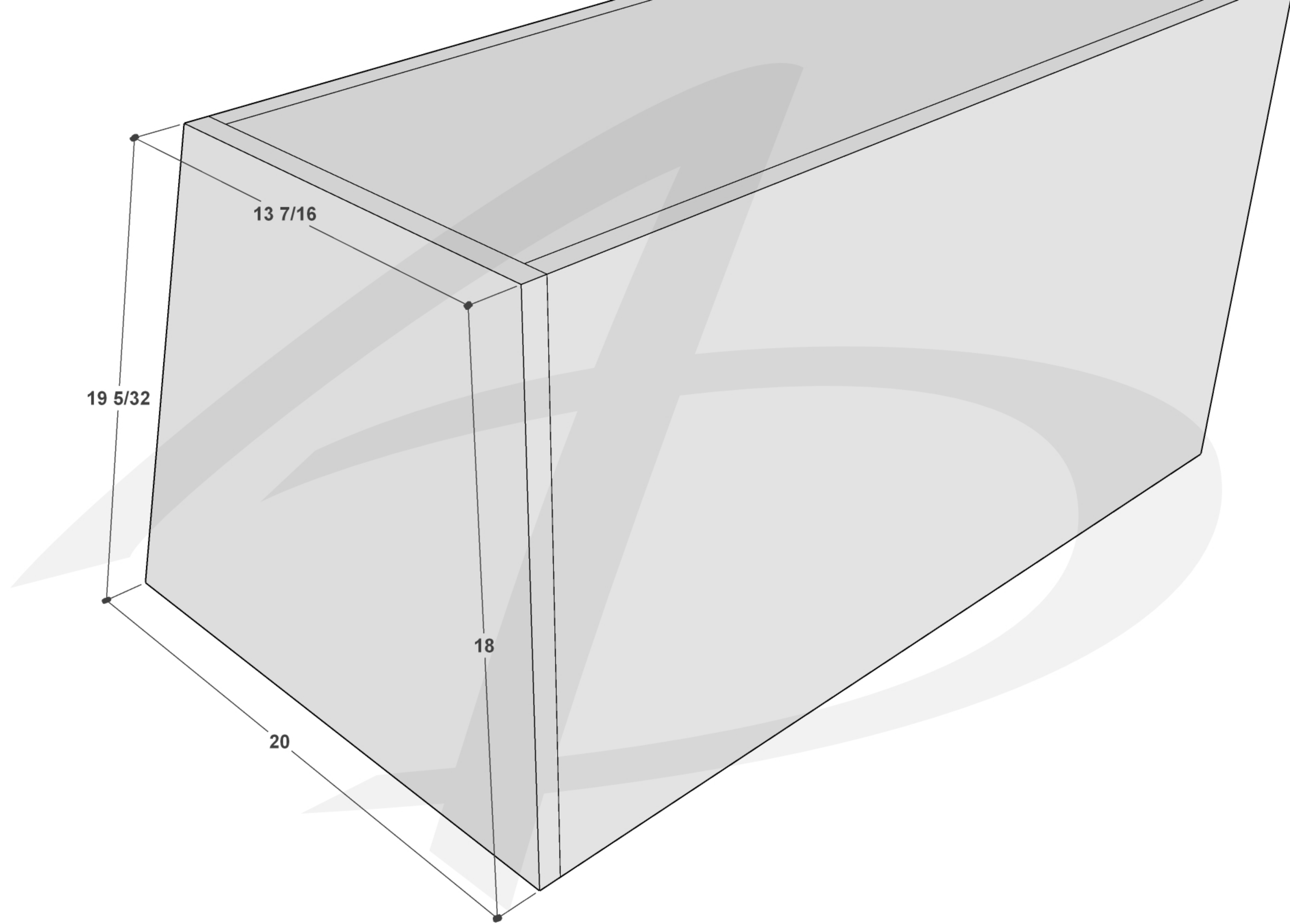
Metering Information		
Headrest	Peak Frequency	Hz
Dash / Windshield		
Foot Well		

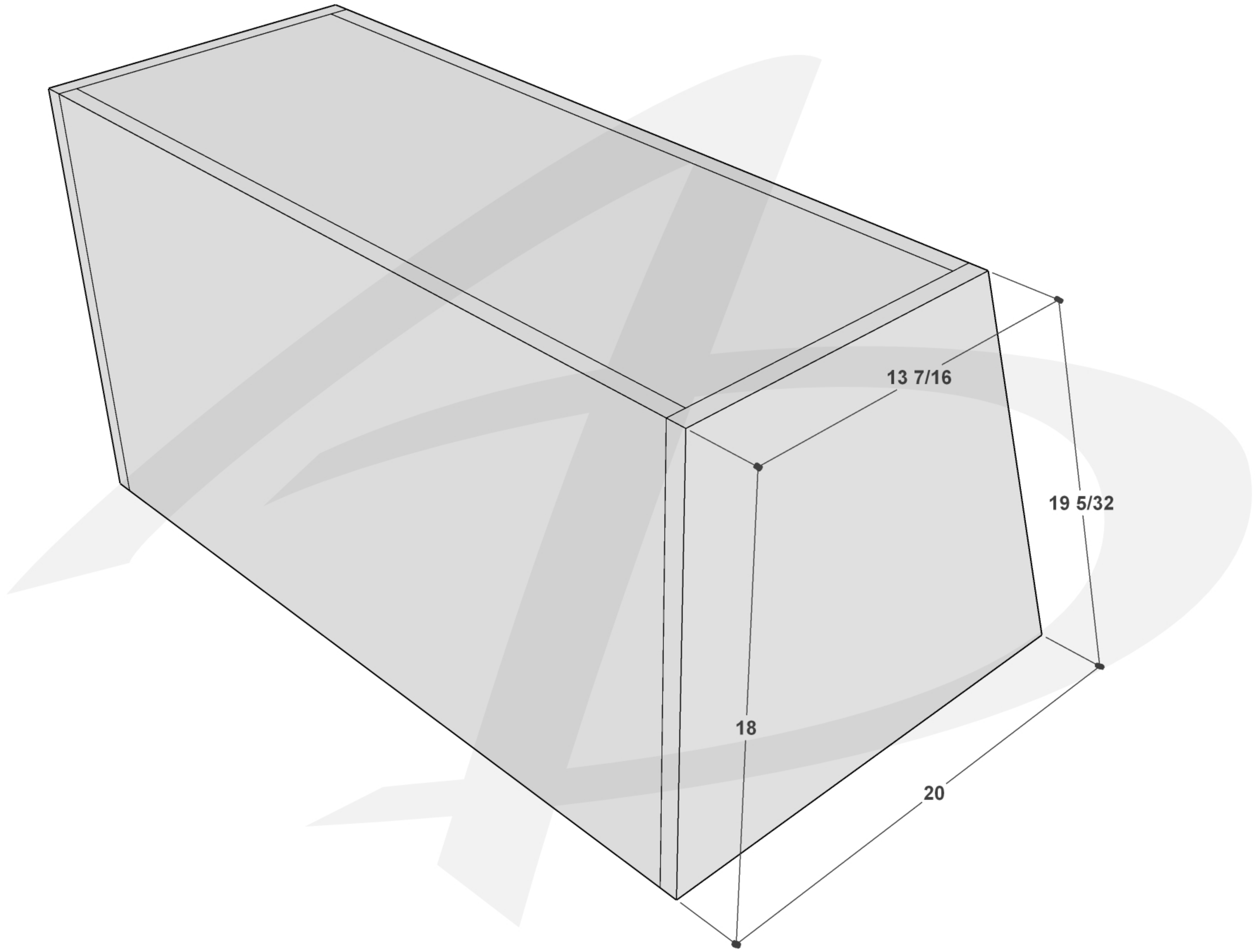










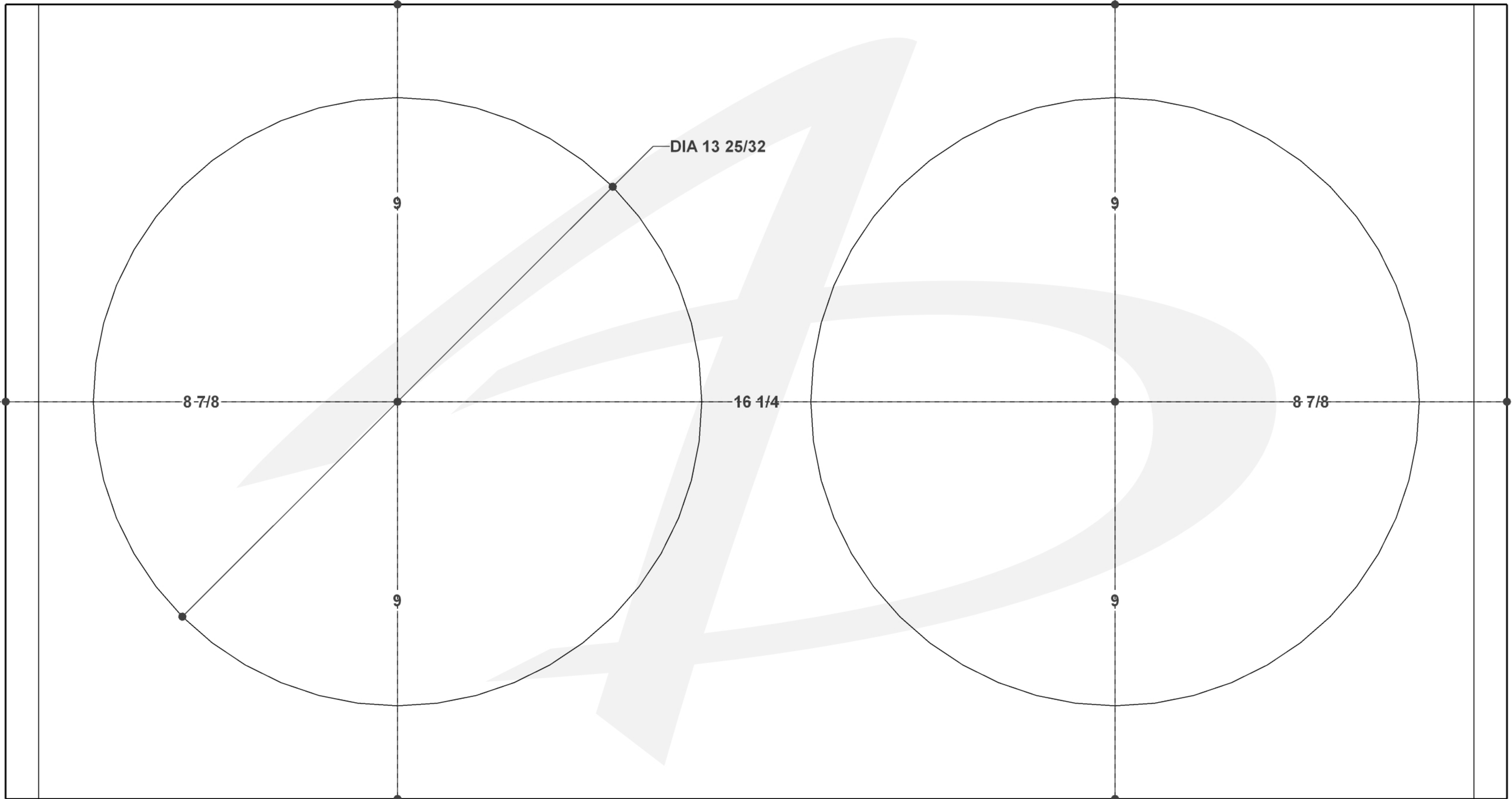


$13 \frac{7}{16}$

$19 \frac{5}{32}$

18

20



$8 \frac{7}{8}$

$\text{DIA } 13 \frac{25}{32}$

$16 \frac{1}{4}$

$8 \frac{7}{8}$

