



AUDIO DYNAMICS

Vehicle Information	
Year	2012
Make	Infinity
Model	G37s

Enclosure Information	
Design Type	Bass-Reflex
Placement	Trunk
Orientation	Position the enclosure with the sub directed rearward along the passenger side.

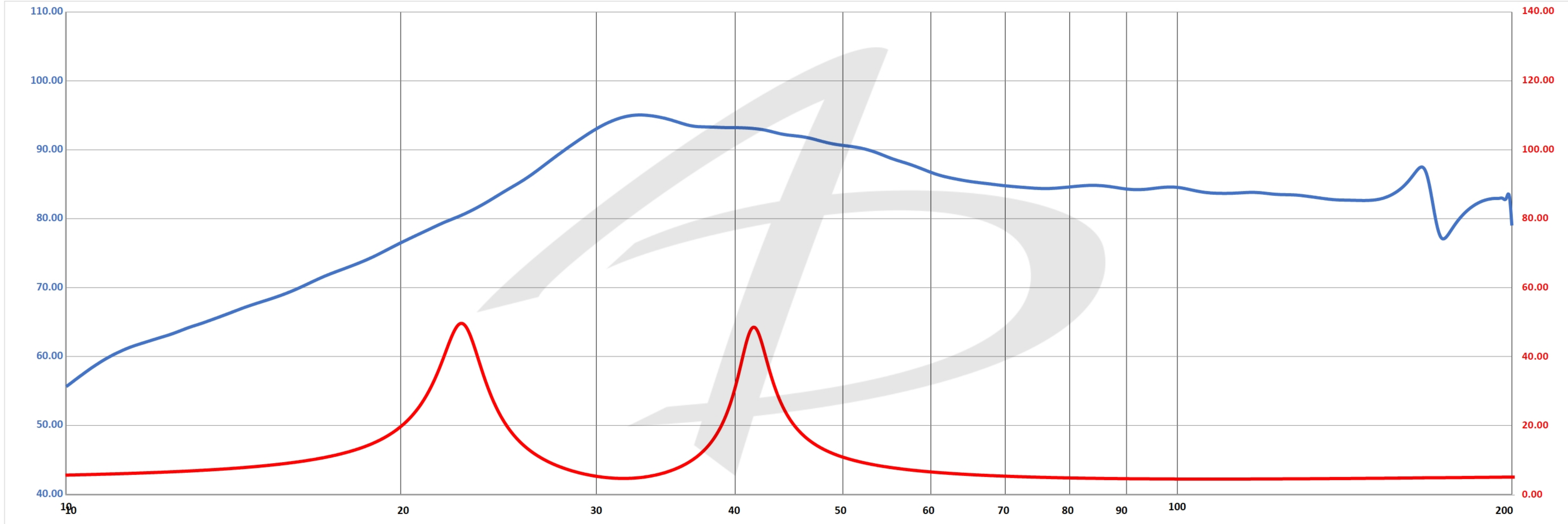
Special Notes

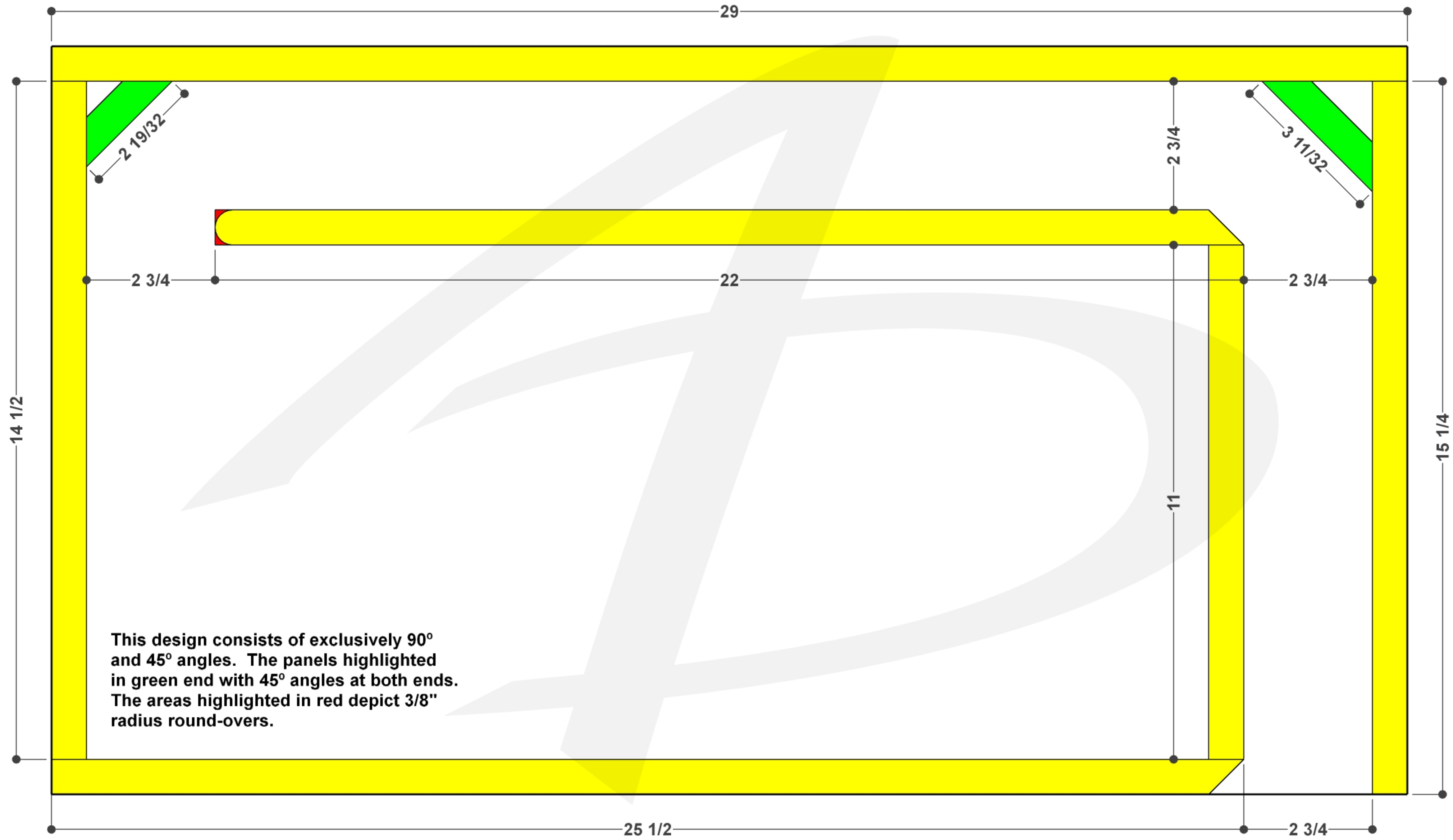
Amplifier Information	
Continuous Power Handling	600 W
Subsonic Filter Setting	28 Hz
Low Pass Filter Setting	55 Hz

Subwoofer Information	
Make	Audio Dynamics
Model	AD3012 D2
Quantity	1

Performance Information	
SQ	<input checked="" type="checkbox"/> Within the Vehicle
<input checked="" type="checkbox"/> SQL	Outside the Vehicle
SPL	Metering Position

Metering Information		
Headrest	Peak Frequency	Hz
Dash / Windshield		
Foot Well		





29

14 1/2

2 19/32

3 11/32

2 3/4

2 3/4

22

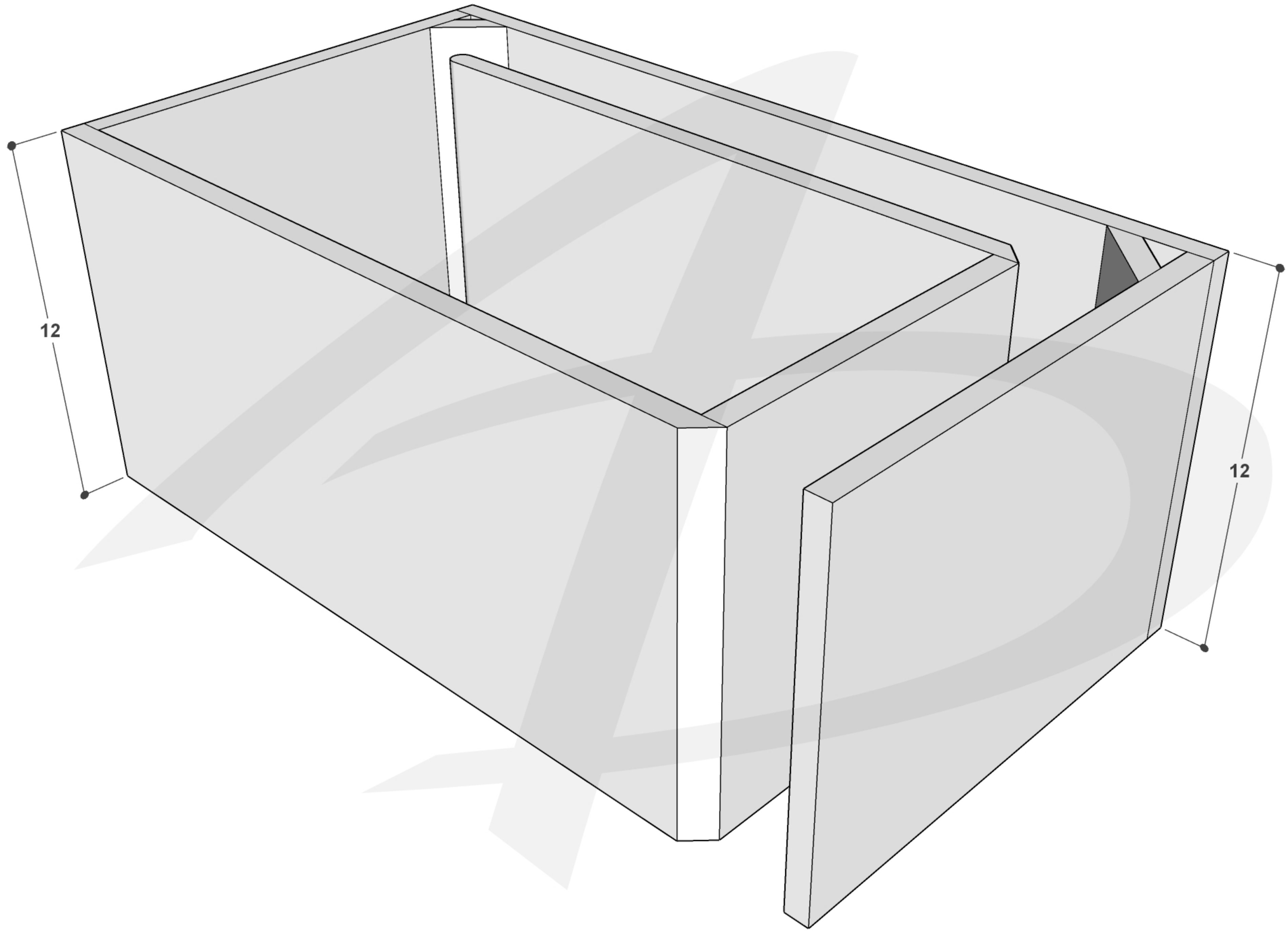
2 3/4

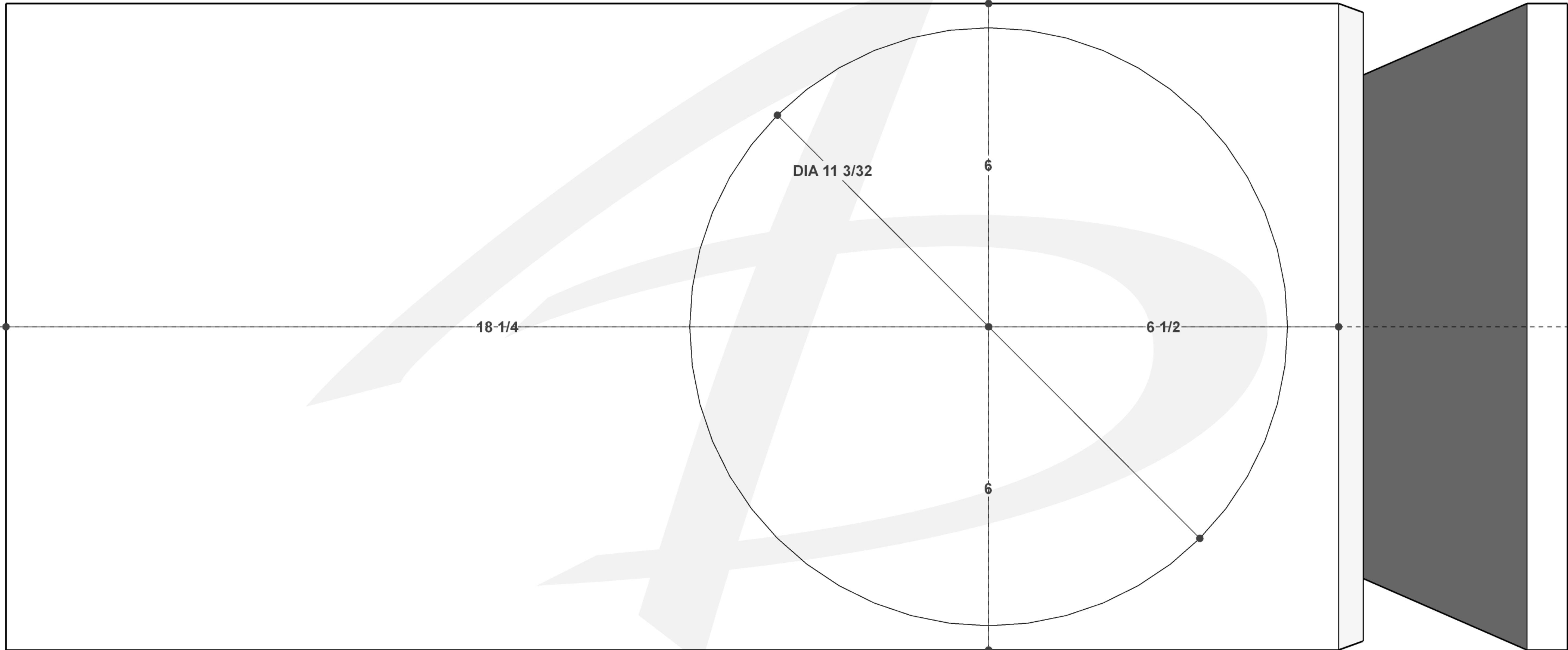
11

15 1/4

25 1/2

2 3/4





$18 \frac{1}{4}$

DIA $11 \frac{3}{32}$

6

$6 \frac{1}{2}$

6

