

Vehicle Information	
Year	2008
Make	Chevy
Model	Avalanche

Enclosure Information	
Design Type	Bass-Reflex
Placement	Truck bed
Orientation	Position the enclosure with the subs directed into the main cabin.



AUDIO DYNAMICS

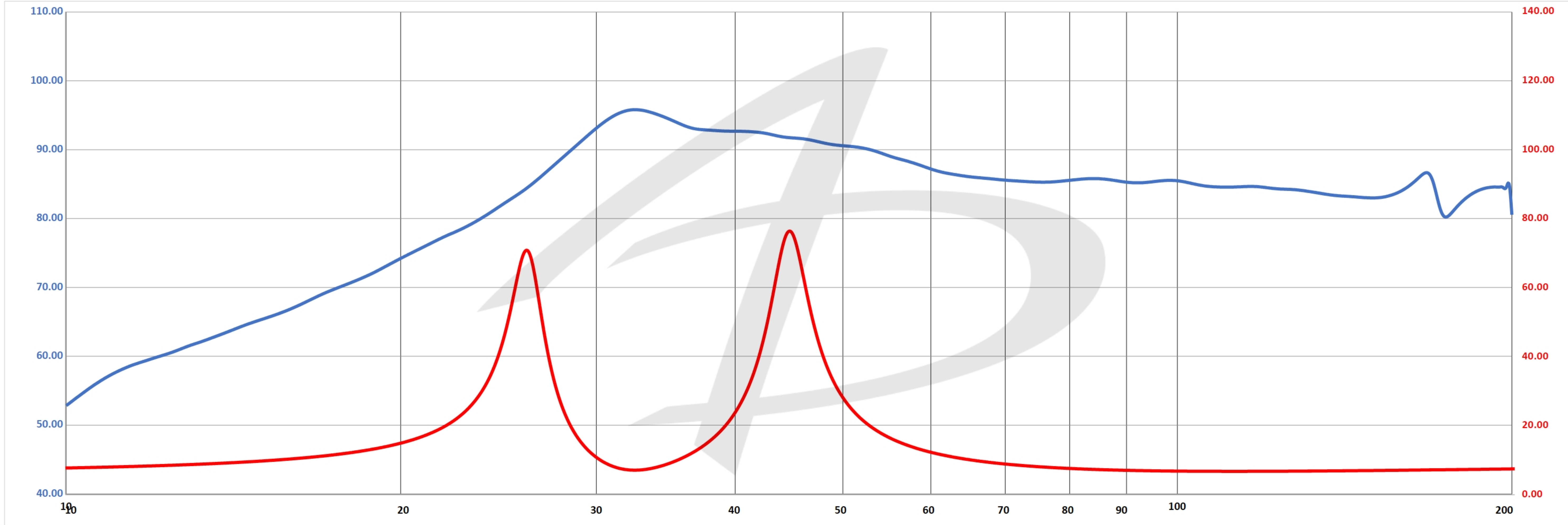
Special Notes

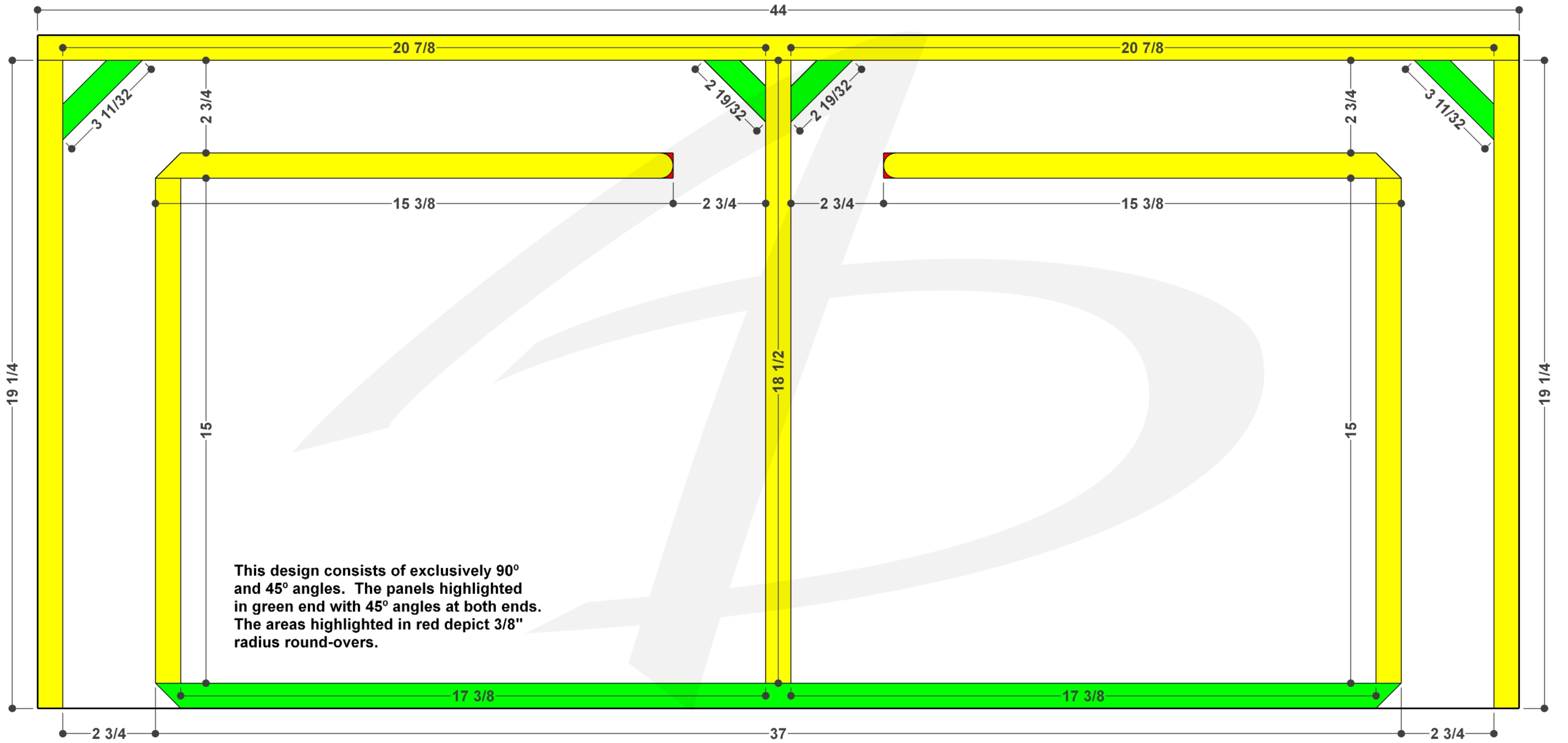
Amplifier Information	
Continuous Power Handling	1,000 W
Subsonic Filter Setting	28 Hz
Low Pass Filter Setting	55 Hz

Subwoofer Information	
Make	Audio Dynamics
Model	AD4312 D4
Quantity	2

Performance Information	
SQ	<input checked="" type="checkbox"/> Within the Vehicle
<input checked="" type="checkbox"/> SQL	Outside the Vehicle
SPL	Metering Position

Metering Information		
Headrest	Peak Frequency	Hz
Dash / Windshield		
Foot Well		





44

20 7/8

20 7/8

3 11/32

2 3/4

2 19/32

2 19/32

3 11/32

2 3/4

15 3/8

2 3/4

2 3/4

15 3/8

19 1/4

15

15

19 1/4

18 1/2

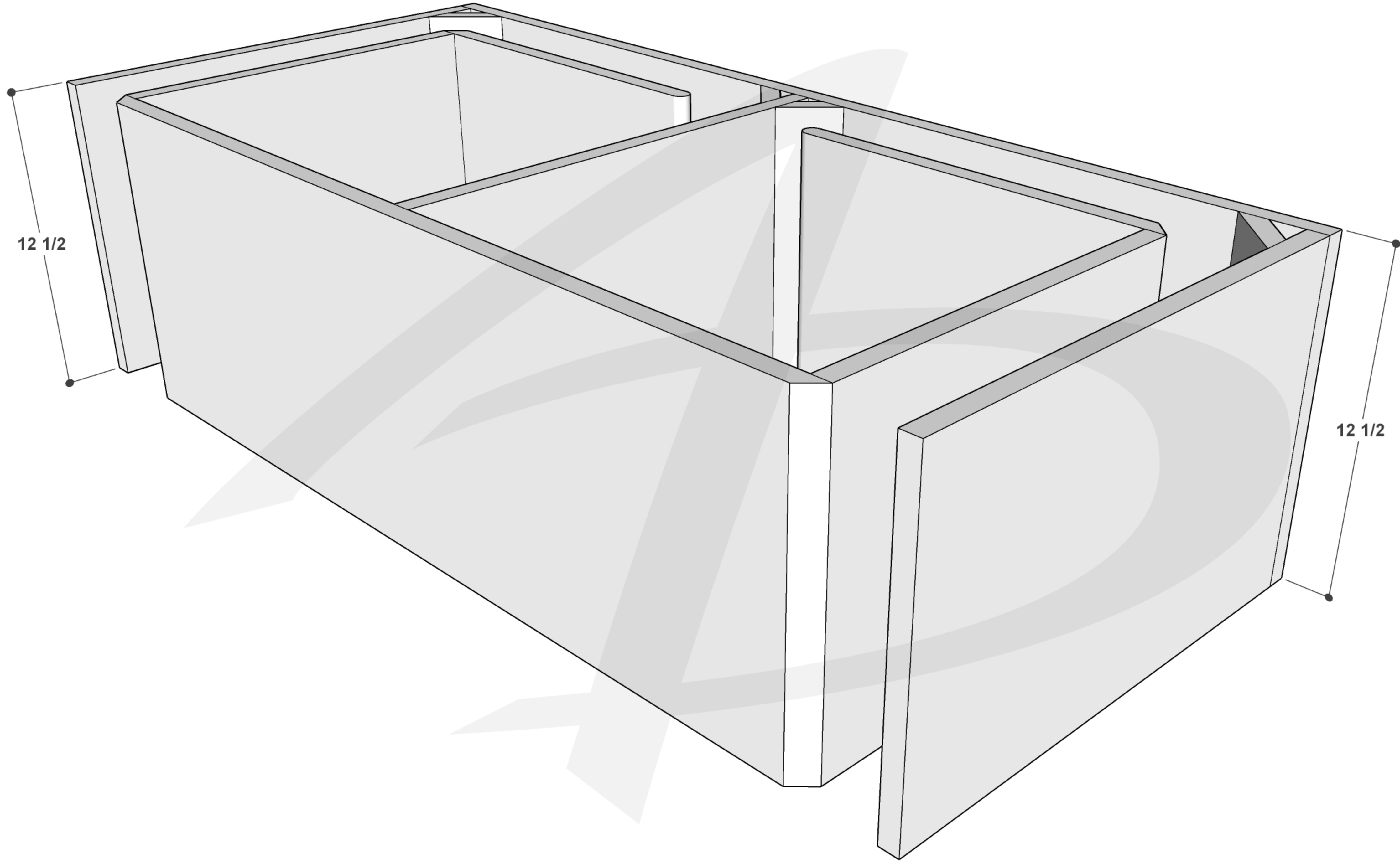
17 3/8

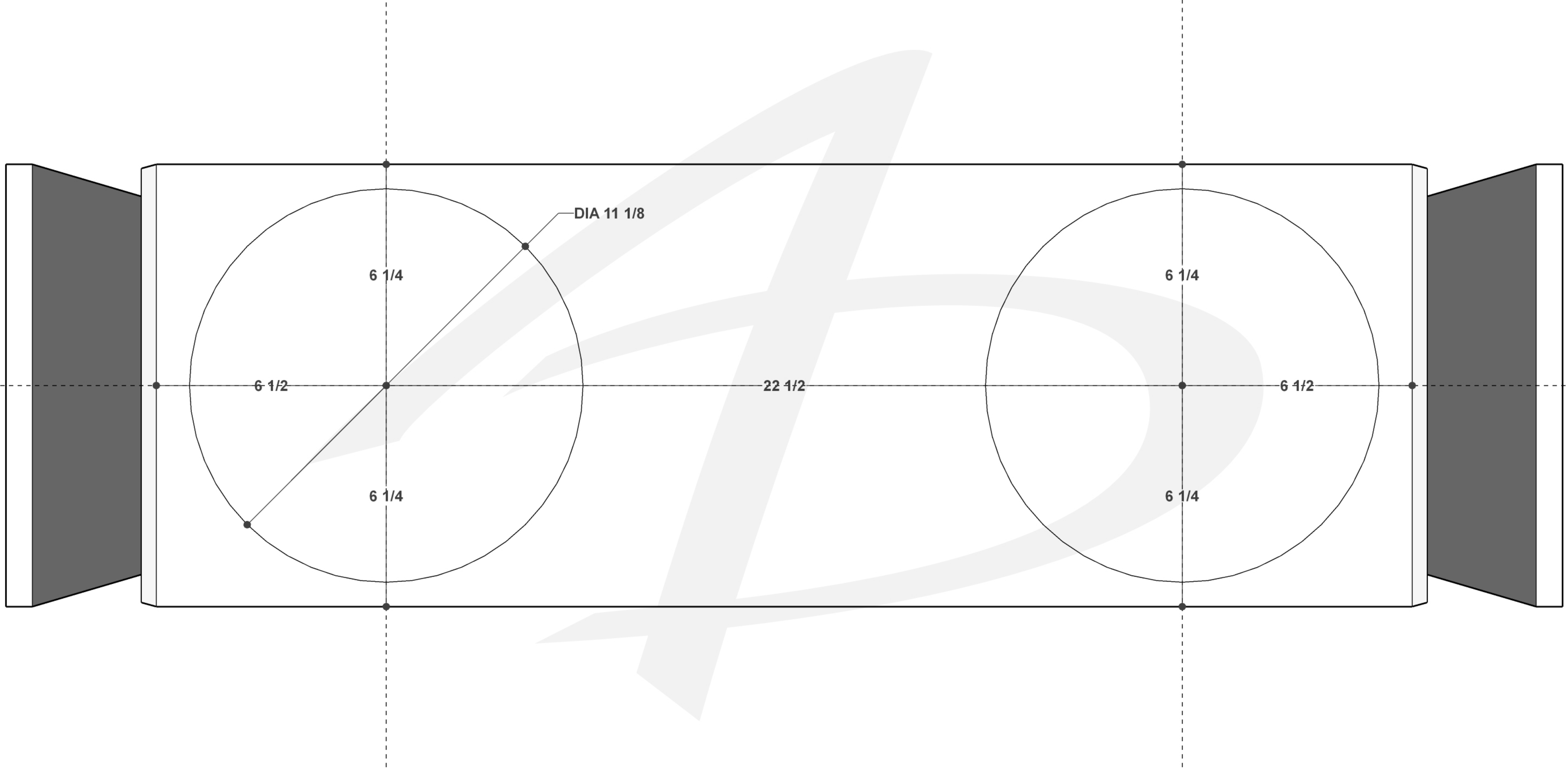
17 3/8

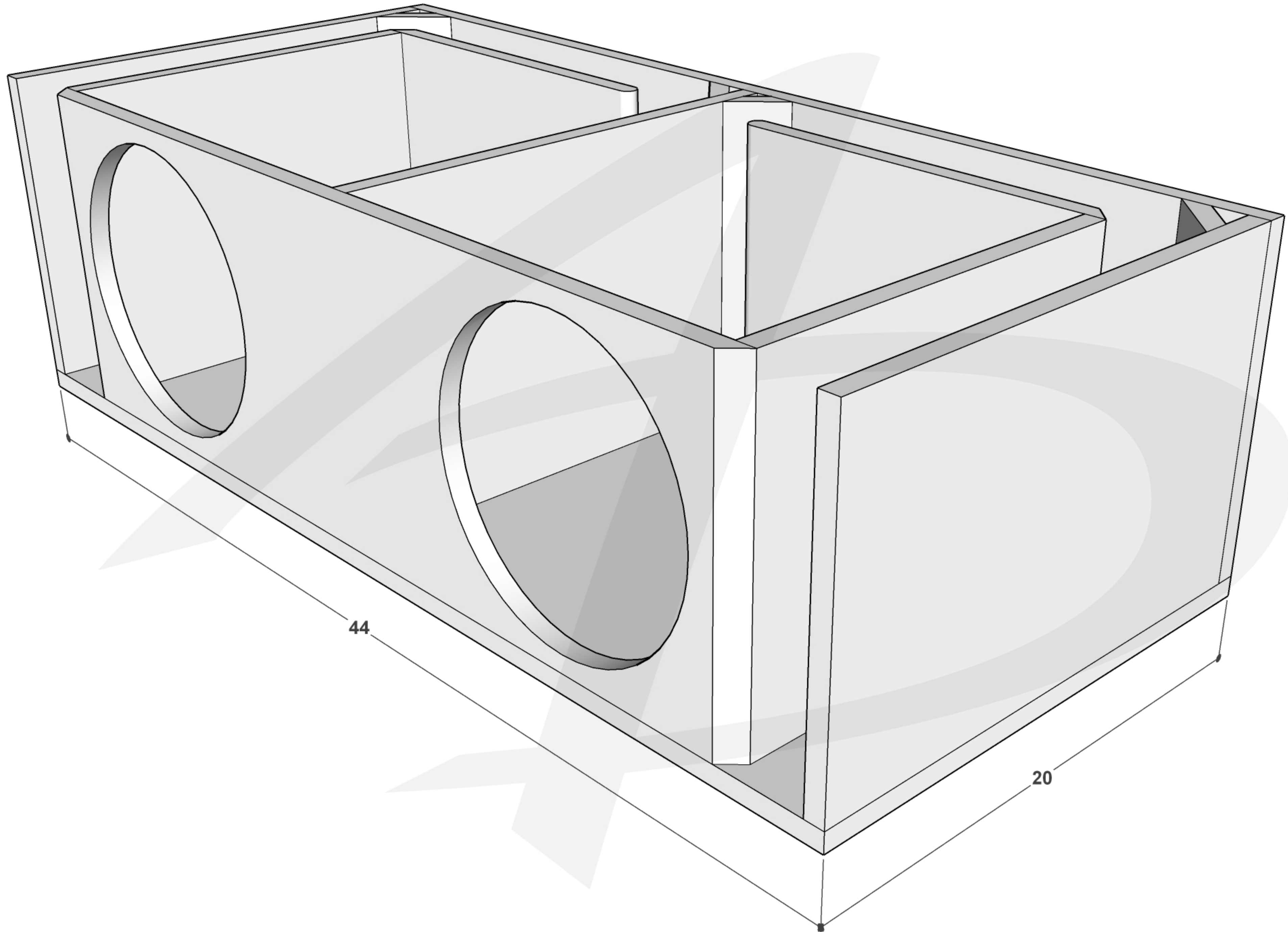
2 3/4

37

2 3/4







44

20

