

Vehicle Information	
Year	2017
Make	Ford
Model	F-250

Enclosure Information	
Design Type	Bass-Reflex
Placement	Under Seat
Orientation	Position the enclosure with the subs directed forward along the passenger side. Direct the vent toward the passenger side.



**AUDIO DYNAMICS**

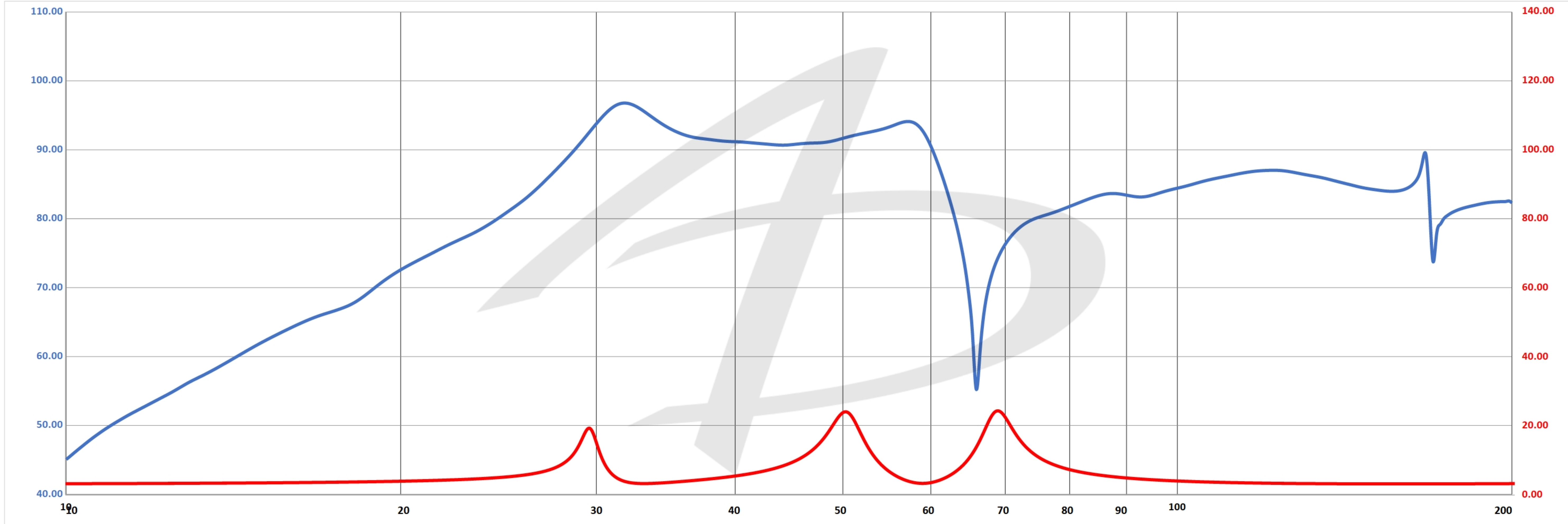
Special Notes	

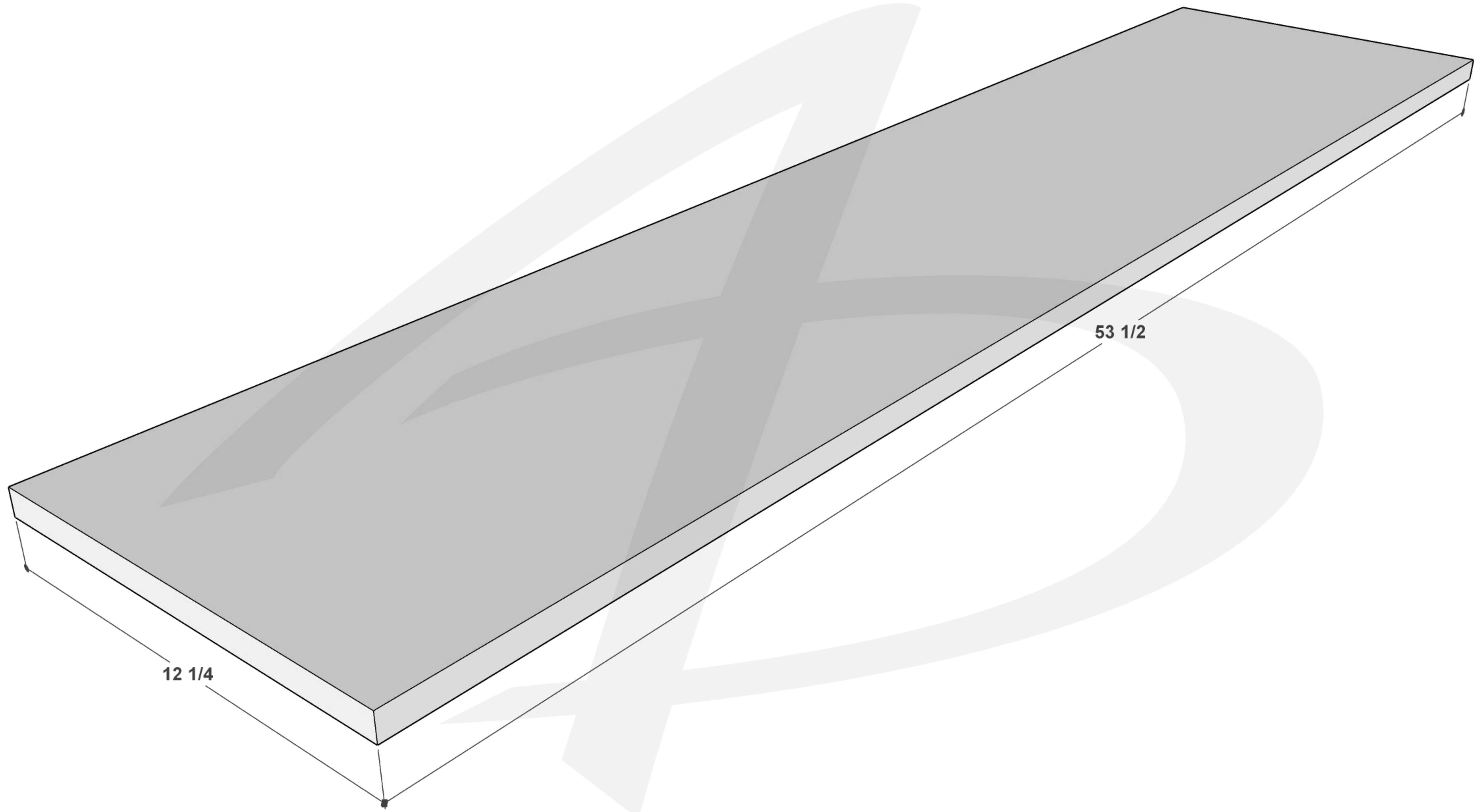
Amplifier Information	
Continuous Power Handling	1,200 W
Subsonic Filter Setting	28 Hz
Low Pass Filter Setting	60 Hz

Subwoofer Information	
Make	Audio Dynamics
Model	AD3008 D4
Quantity	2

Performance Information	
SQ	<input checked="" type="checkbox"/> Within the Vehicle
<input checked="" type="checkbox"/> SQL	Outside the Vehicle
SPL	Metering Position

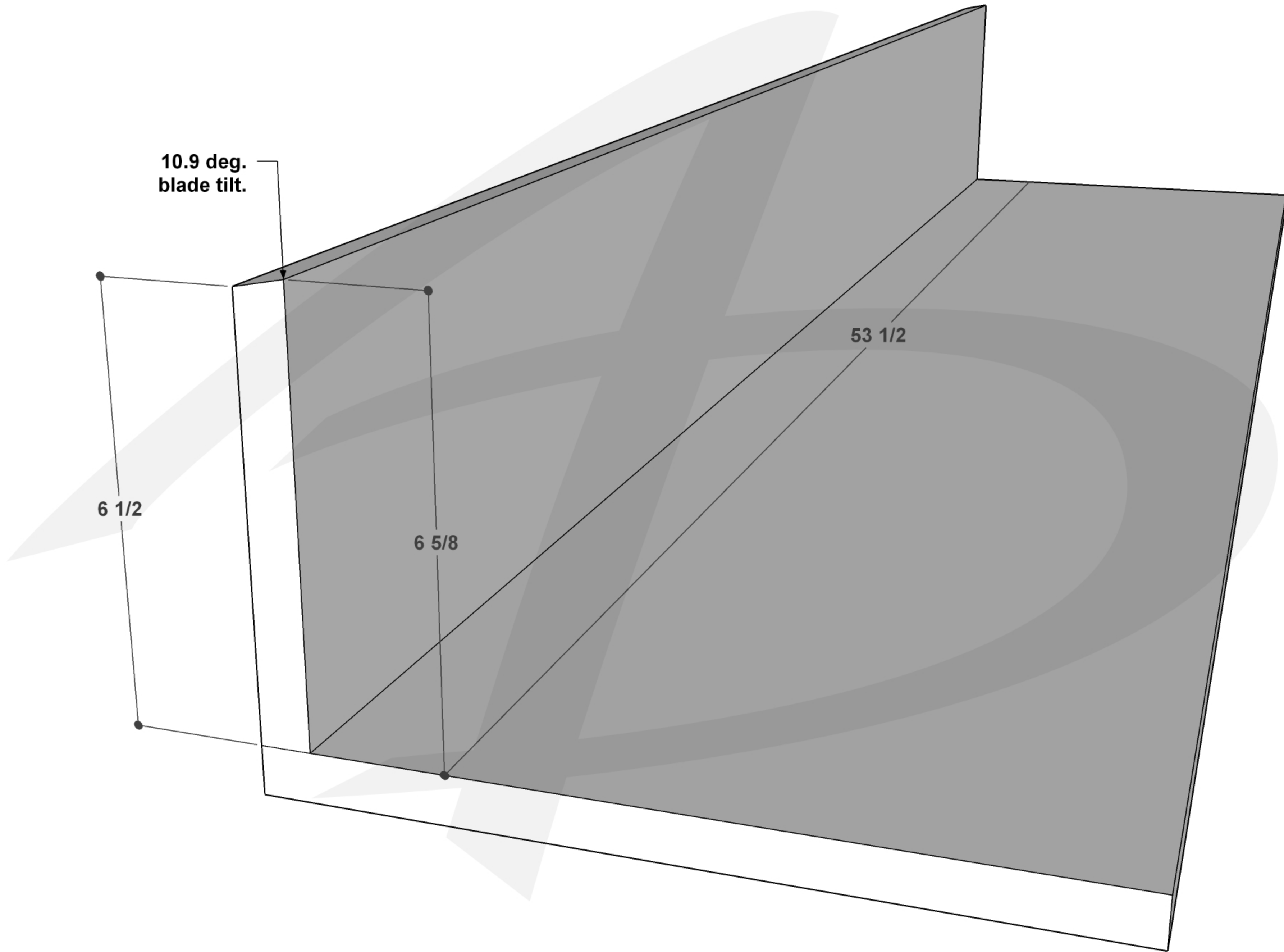
Metering Information		
Headrest	Peak Frequency	Hz
Dash / Windshield		
Foot Well		

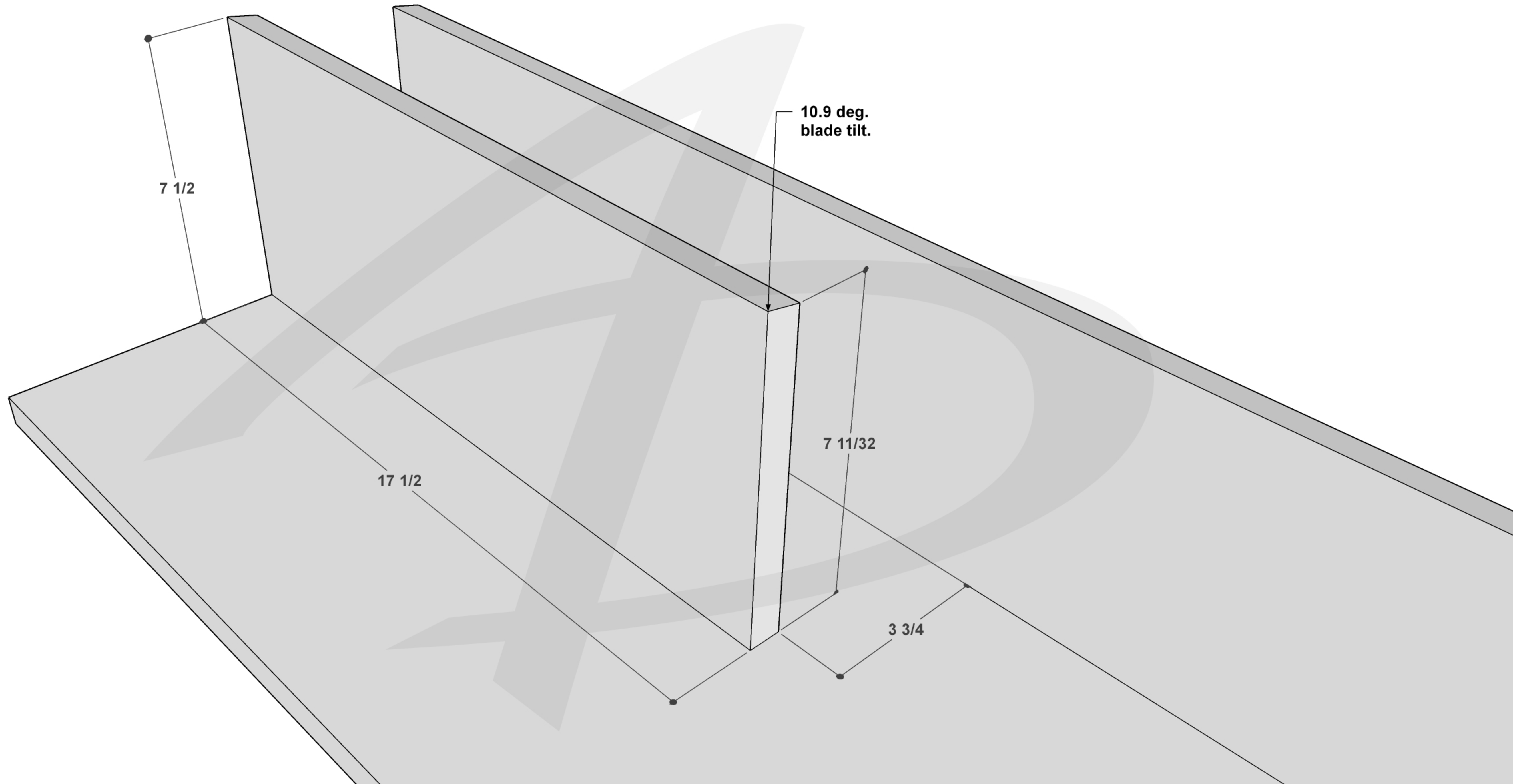




$12 \frac{1}{4}$

$53 \frac{1}{2}$





7 1/2

10.9 deg.  
blade tilt.

17 1/2

7 11/32

3 3/4

