



**AUDIO DYNAMICS**

Vehicle Information	
Year	2013
Make	Ford
Model	F150

Enclosure Information	
Design Type	Bass-Reflex
Placement	Under Seat
Orientation	Position the enclosure with the subs directed forward.

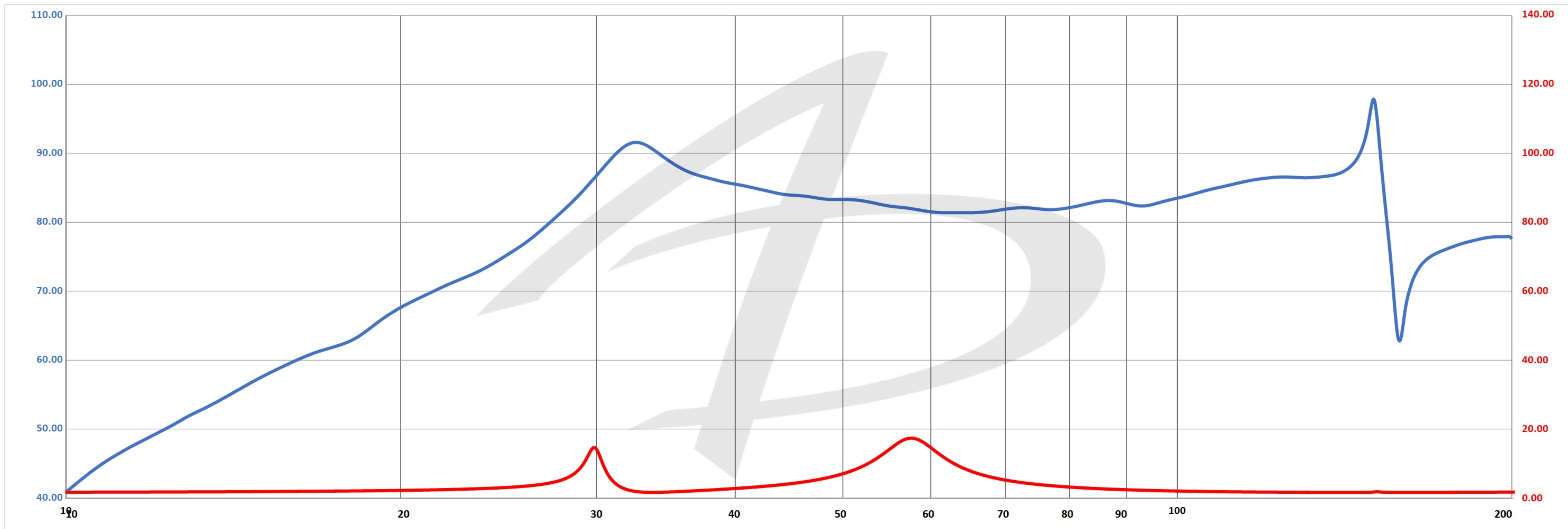
Special Notes

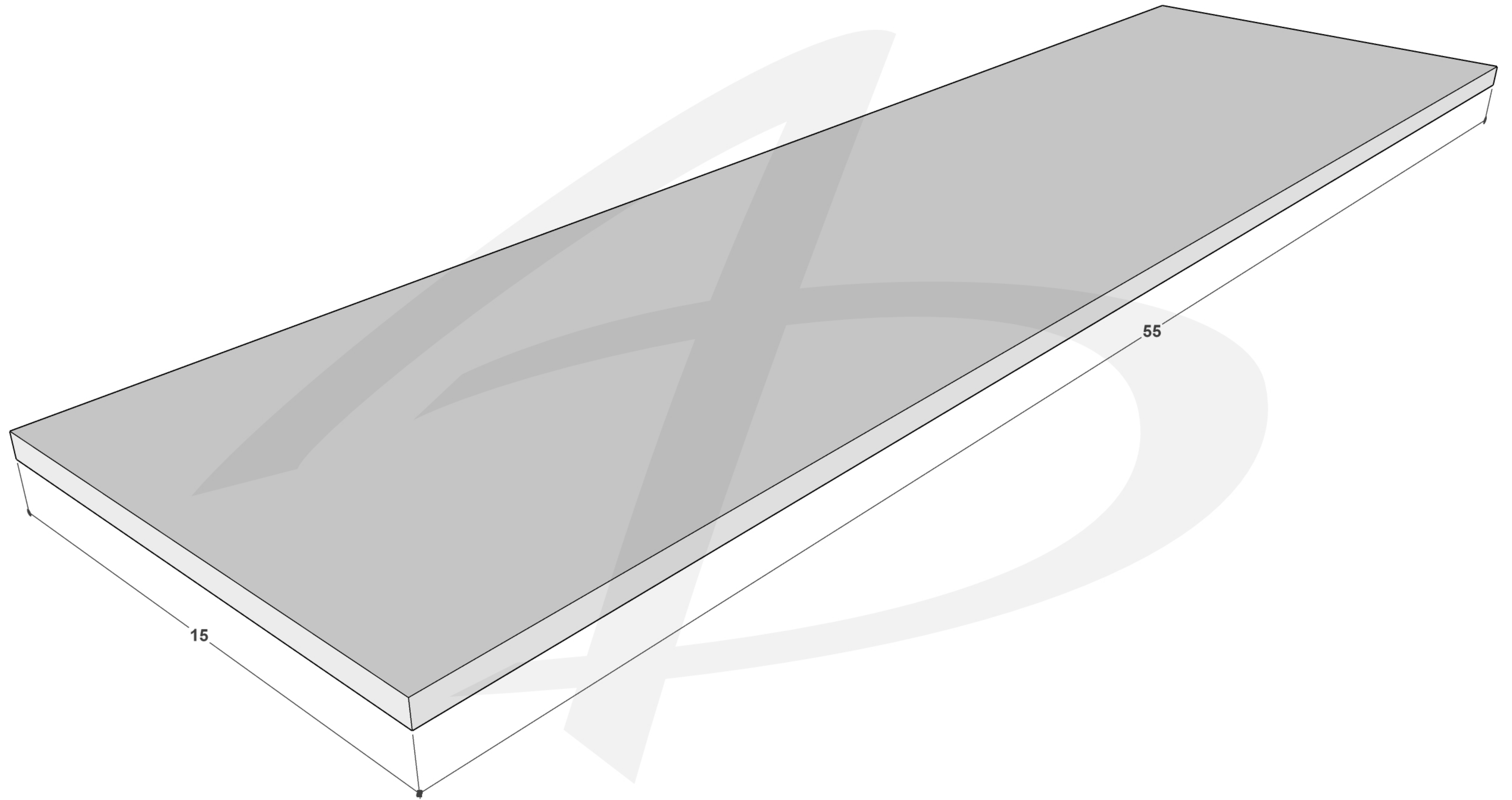
Amplifier Information	
Continuous Power Handling	2,400 W
Subsonic Filter Setting	30 Hz
Low Pass Filter Setting	60 Hz

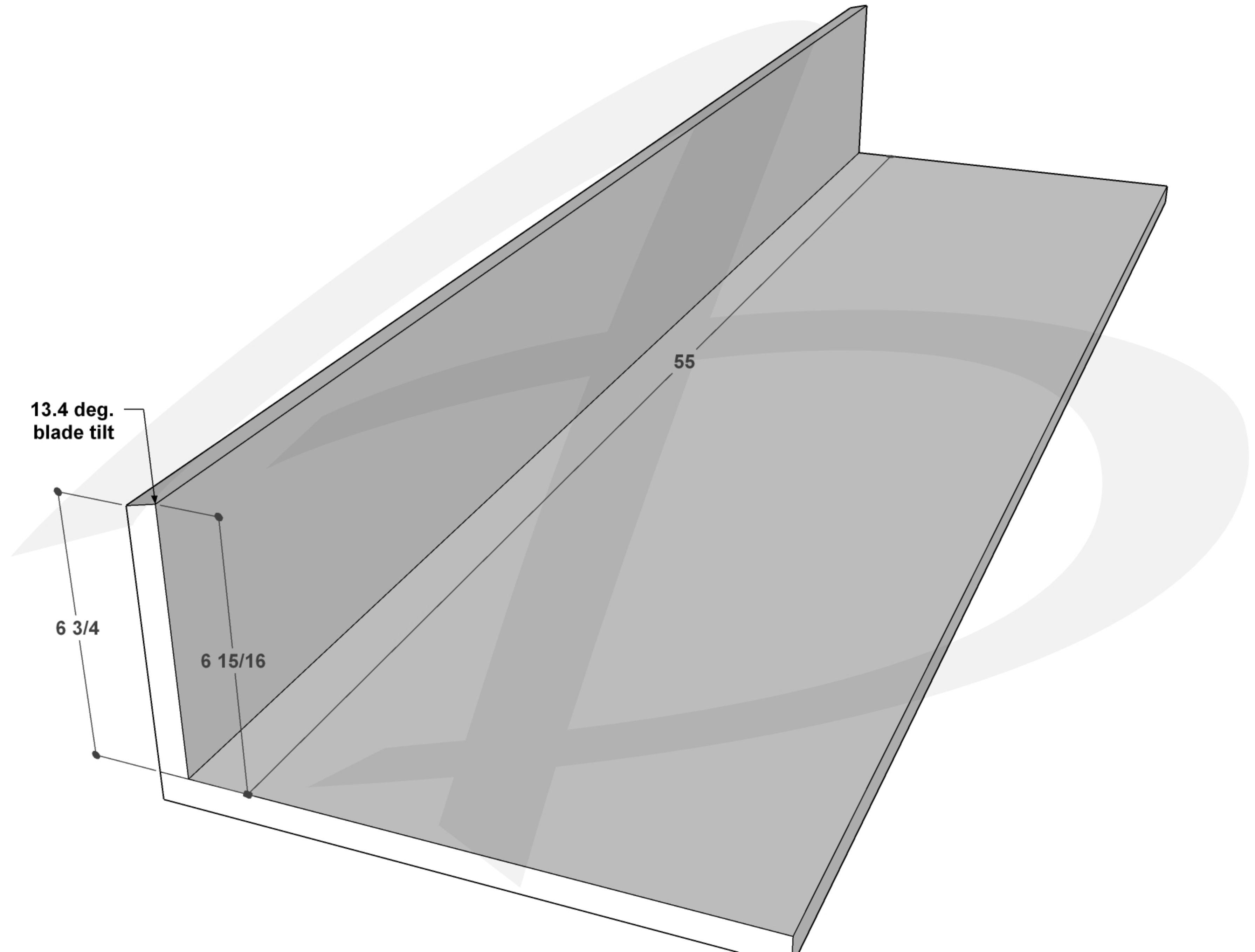
Subwoofer Information	
Make	Audio Dynamics
Model	AD3008 D2
Quantity	4

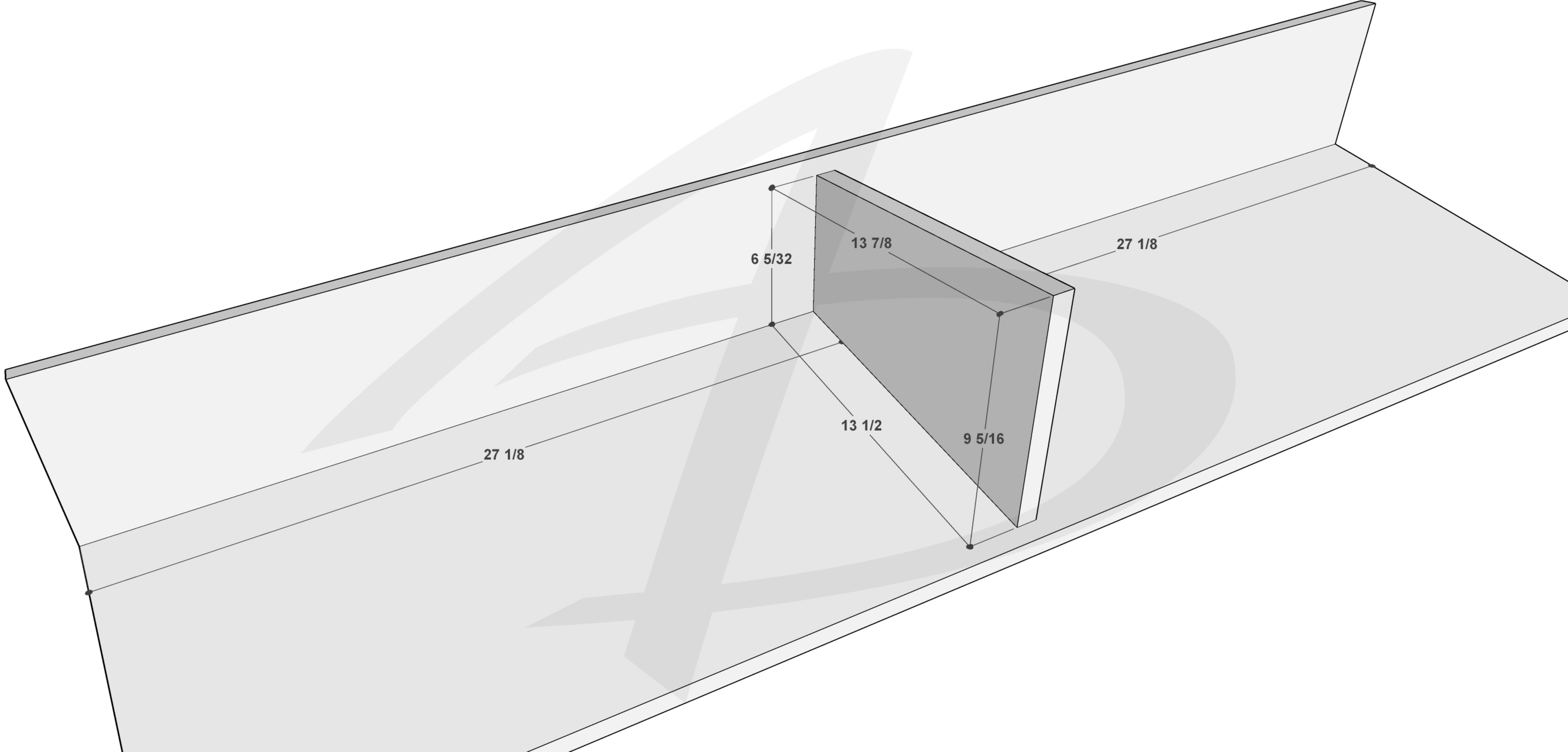
Performance Information	
SQ	<input checked="" type="checkbox"/> Within the Vehicle
<input checked="" type="checkbox"/> SQL	Outside the Vehicle
SPL	Metering Position

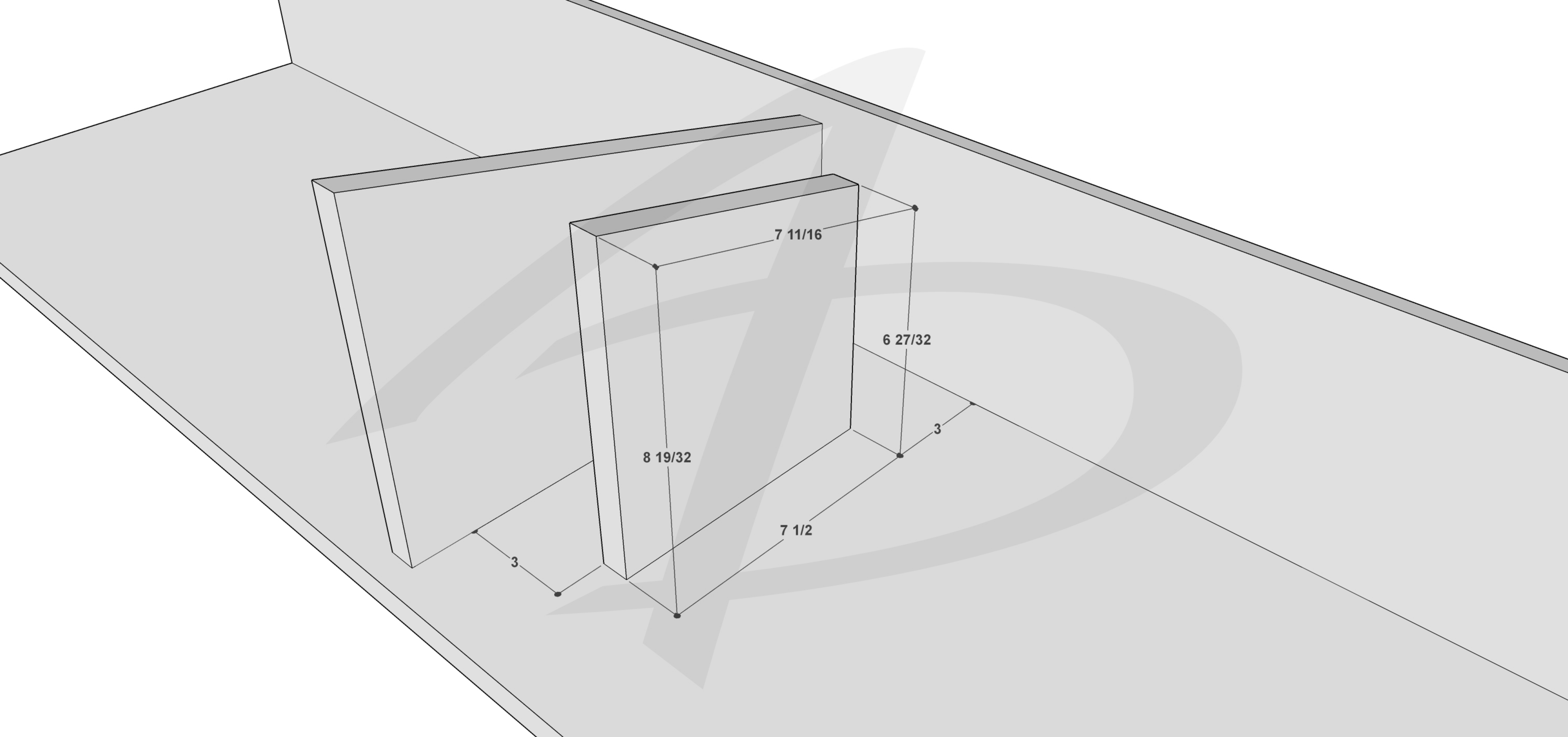
Metering Information		
Headrest	Peak Frequency	Hz
Dash / Windshield		
Foot Well		











$8 \frac{19}{32}$

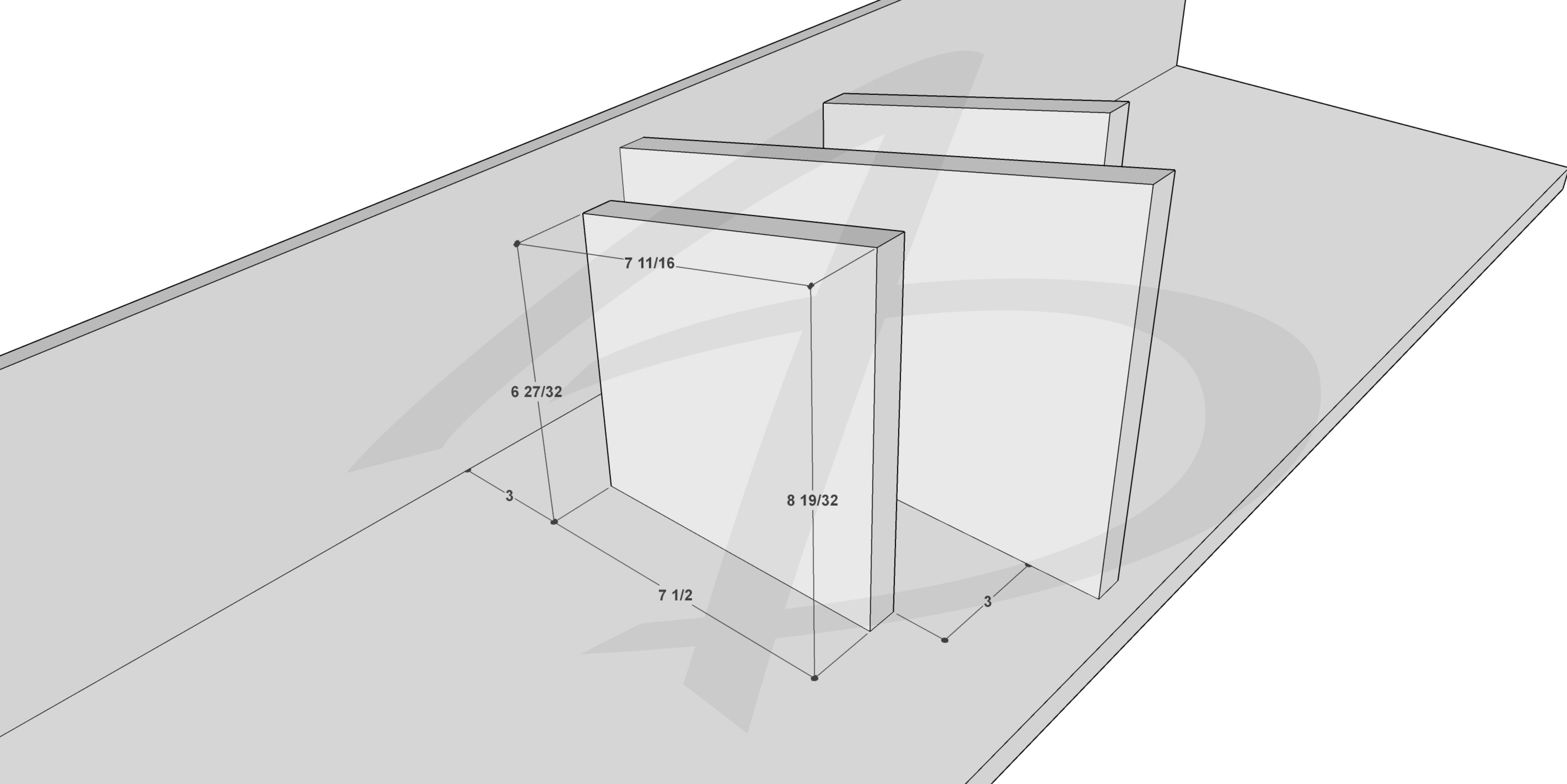
$7 \frac{11}{16}$

$6 \frac{27}{32}$

$3$

$7 \frac{1}{2}$

$3$



$7 \frac{11}{16}$

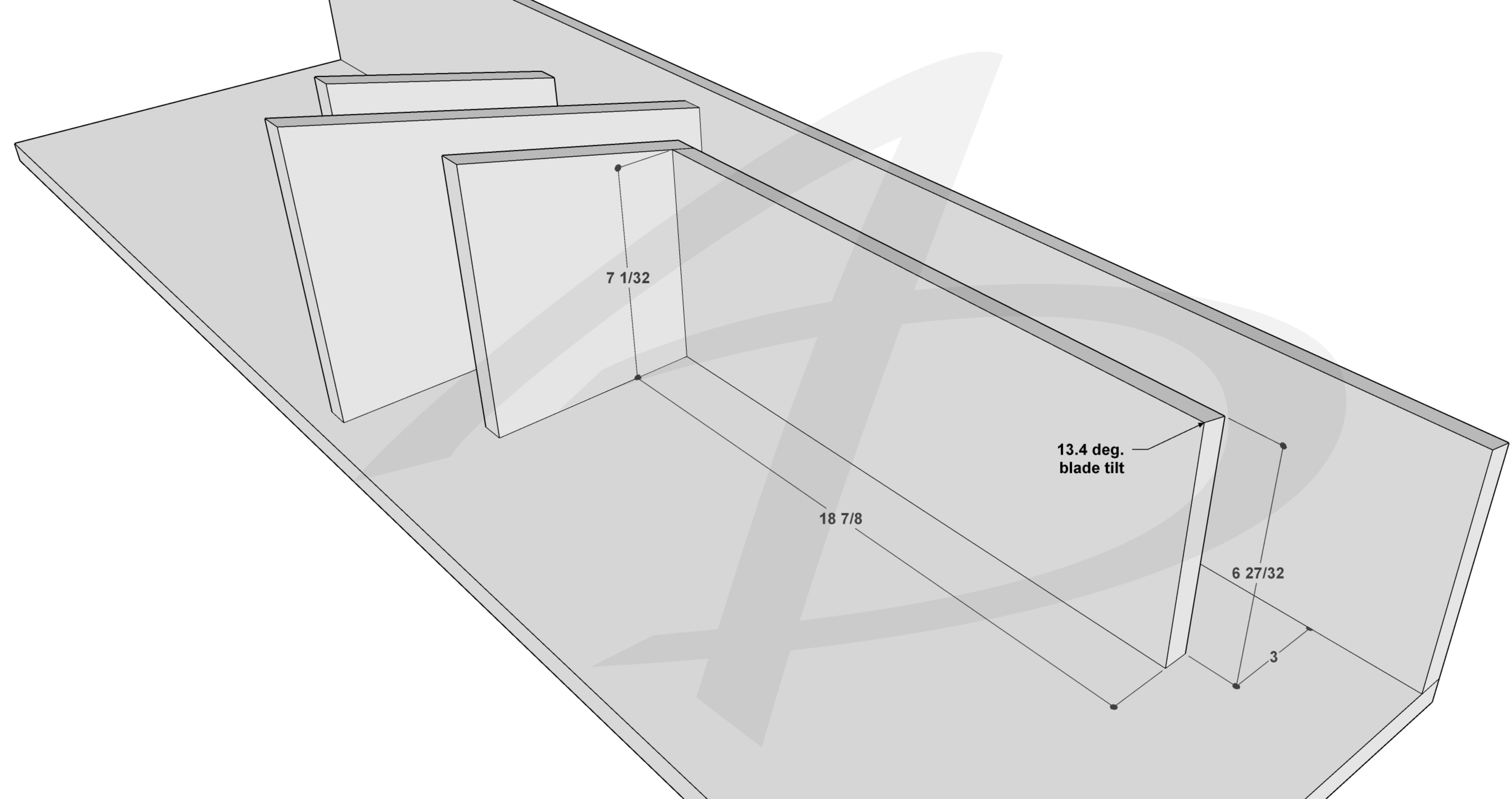
$6 \frac{27}{32}$

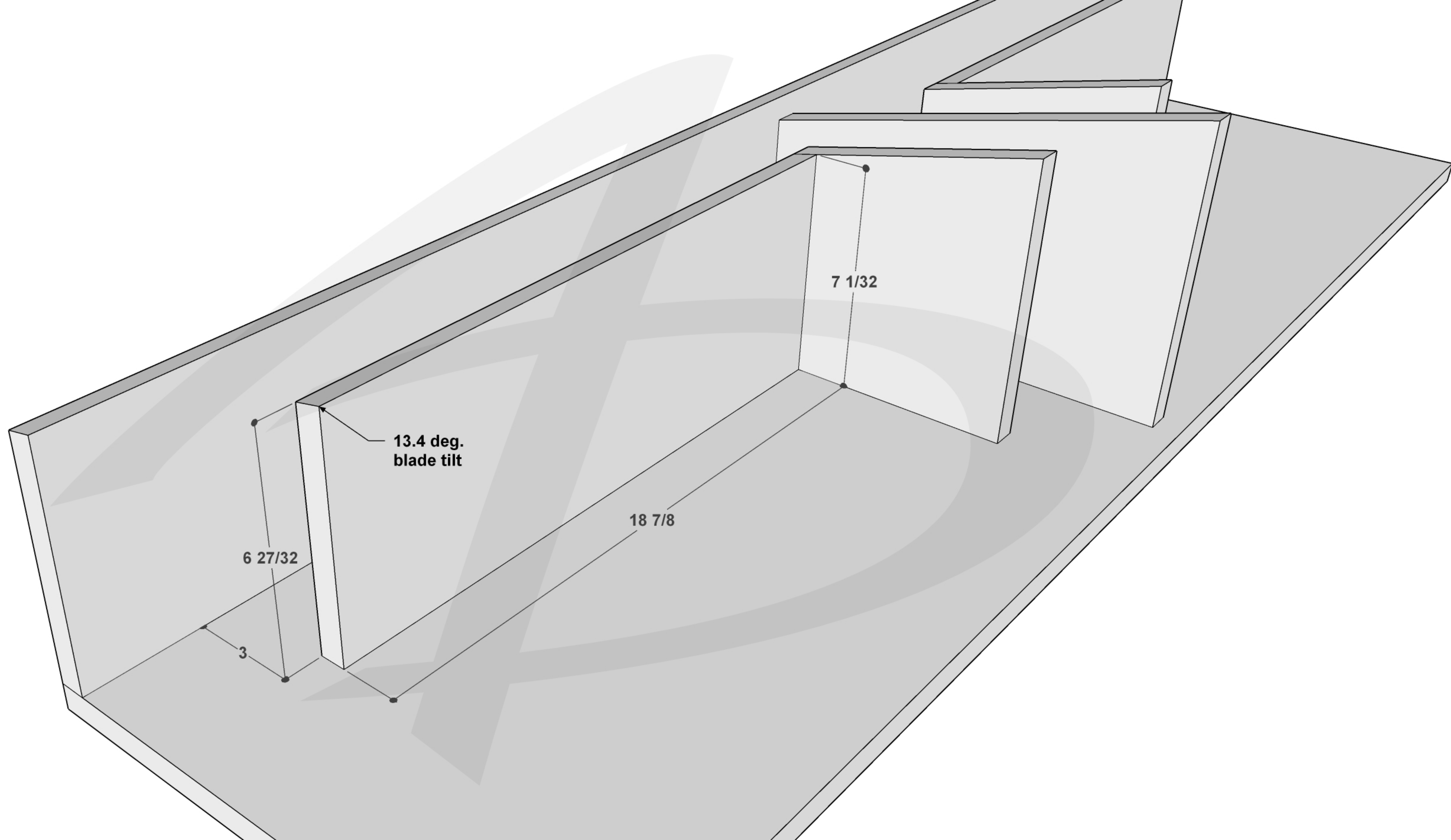
$3$

$8 \frac{19}{32}$

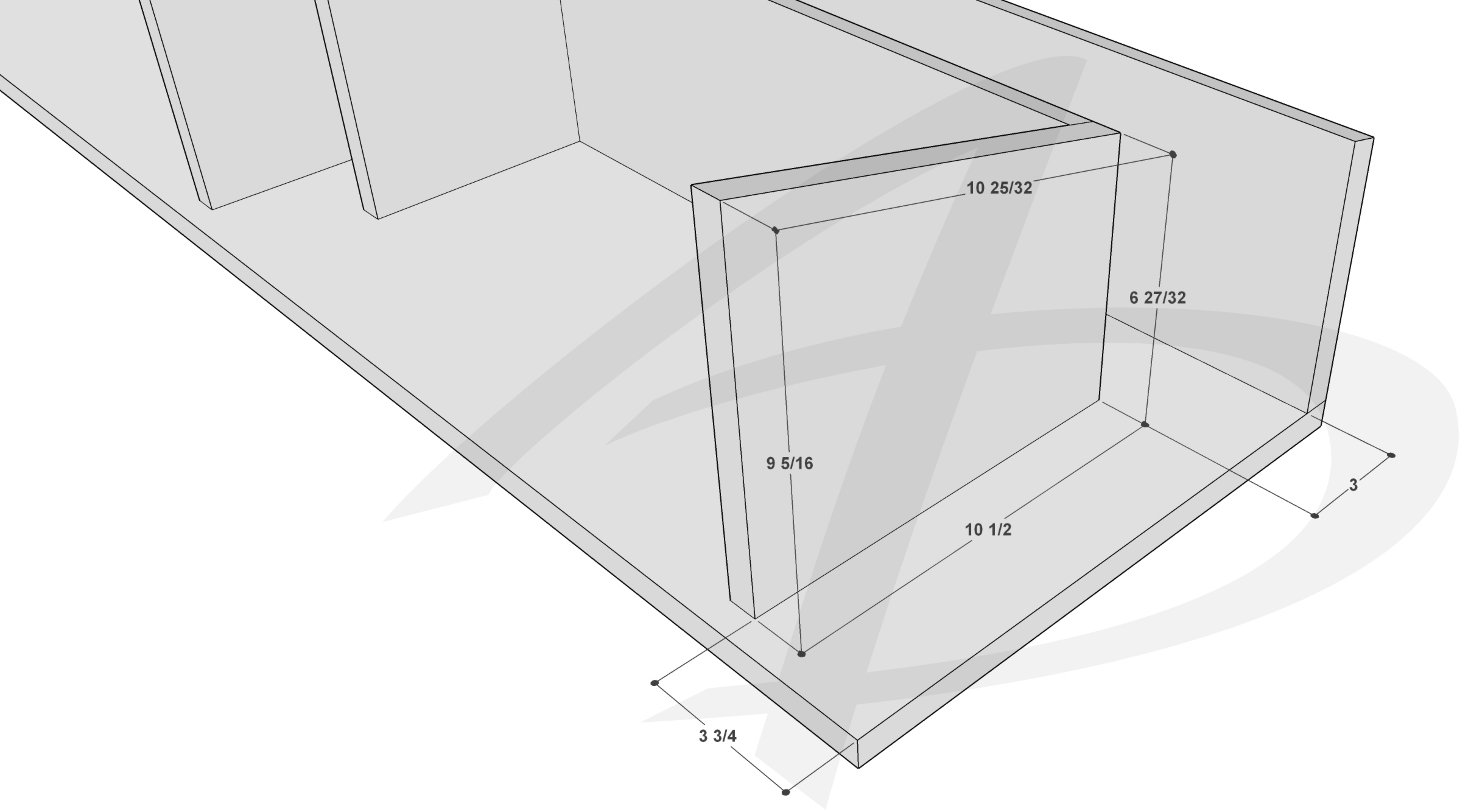
$7 \frac{1}{2}$

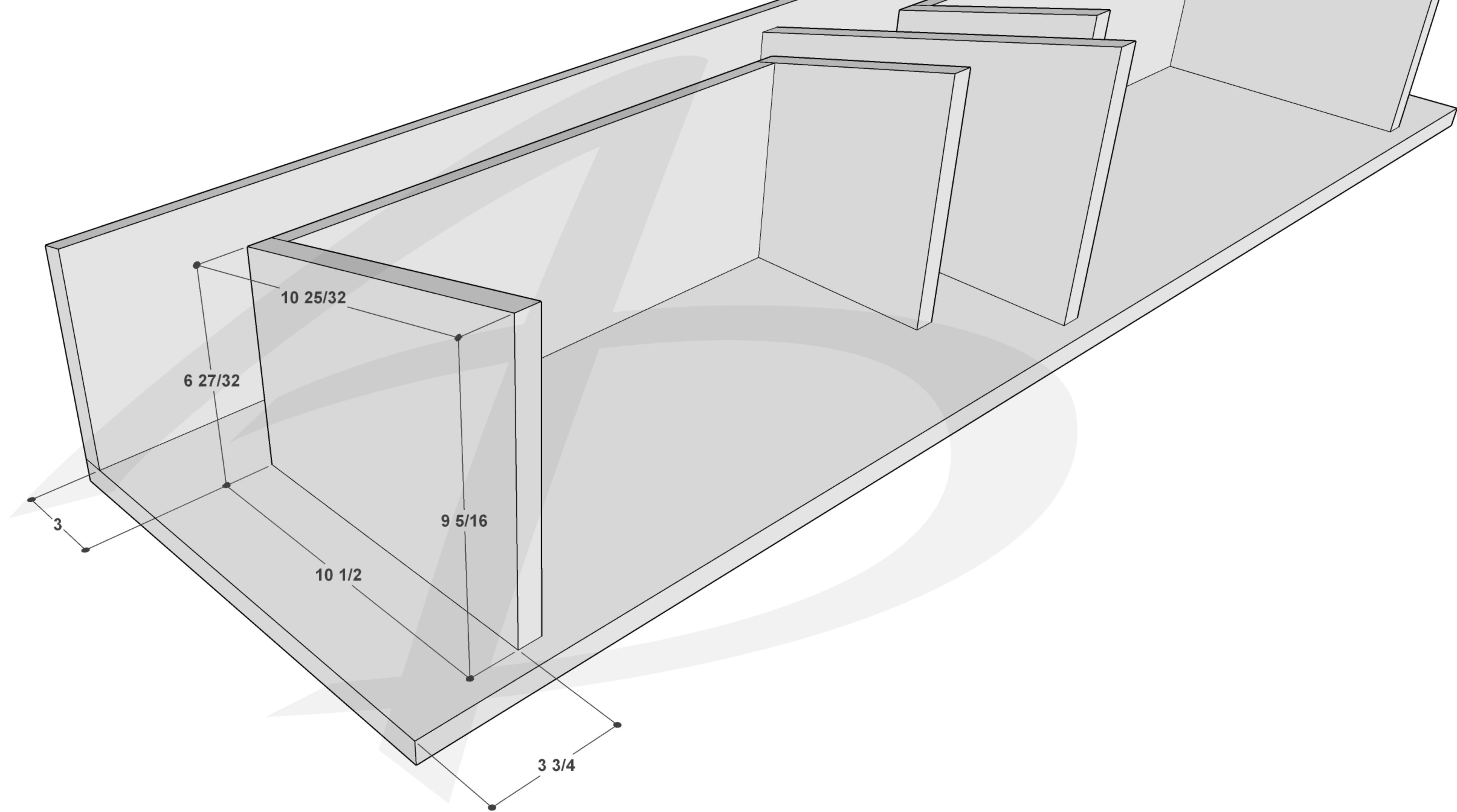
$3$

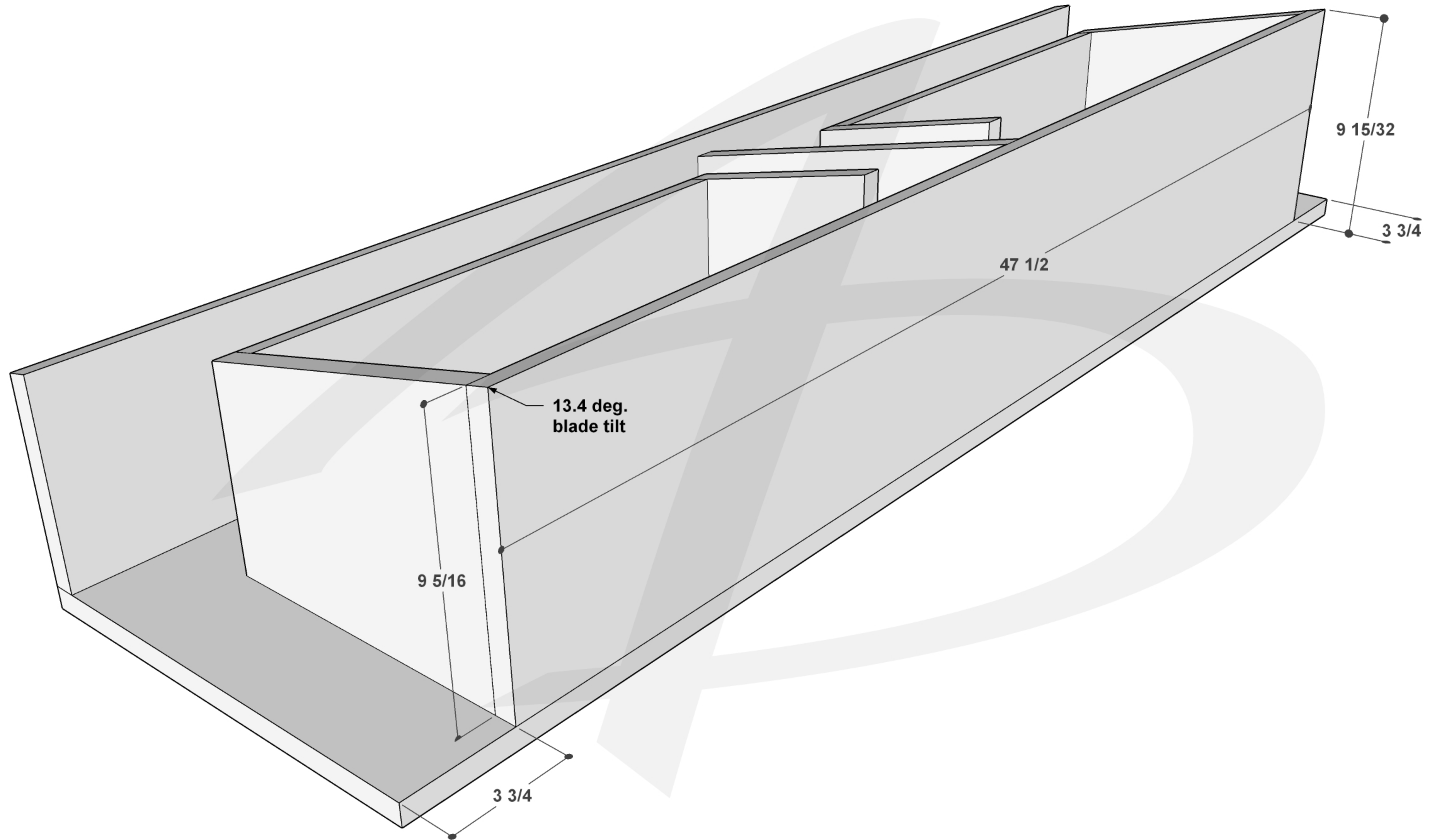


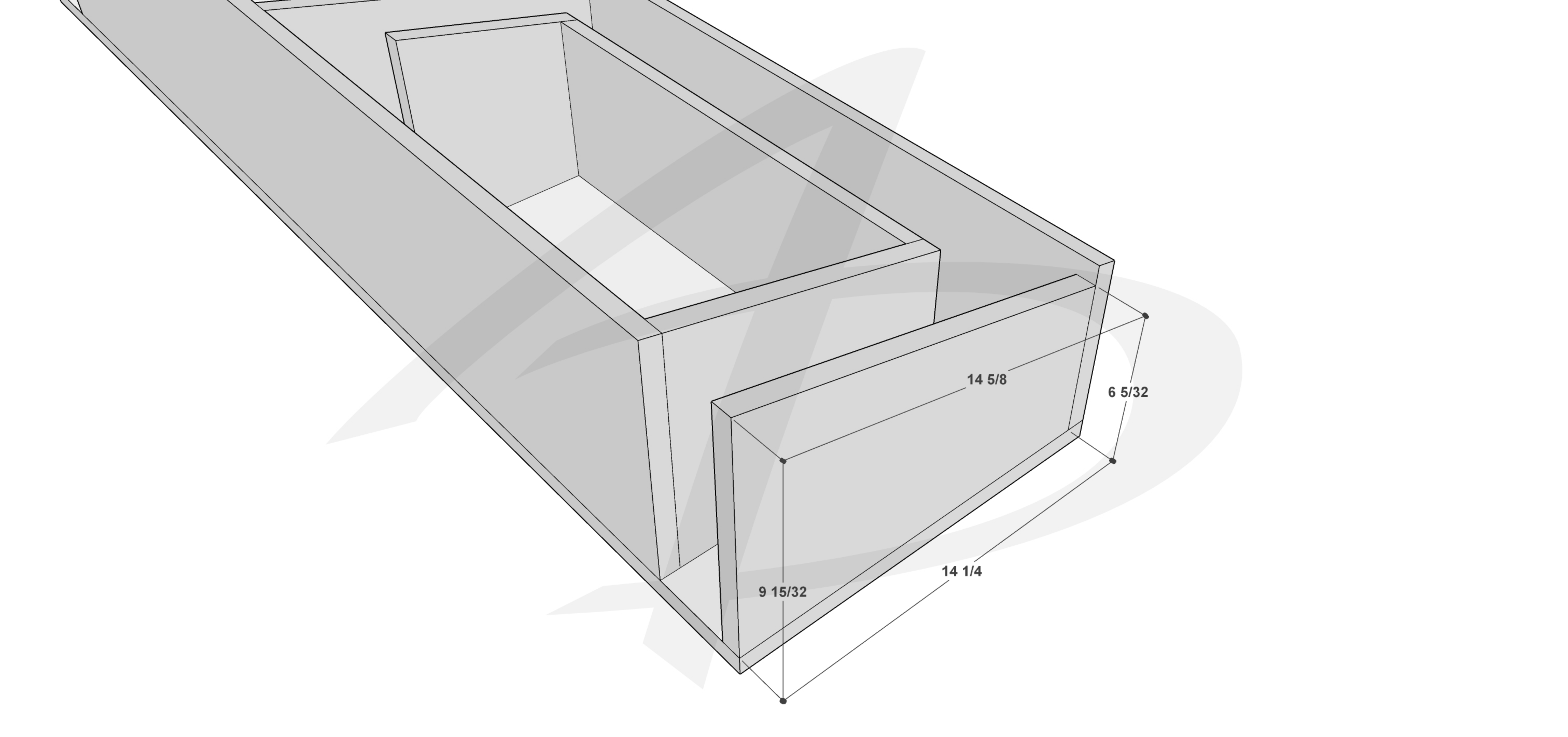












9 15/32

14 5/8

6 5/32

14 1/4

