

Vehicle Information	
Year	2022
Make	Ford
Model	F150

Enclosure Information	
Design Type	Bass-Reflex
Placement	Under Seat
Orientation	Position the enclosure with the subs directed forward, vent directed toward the passenger side.



AUDIO DYNAMICS

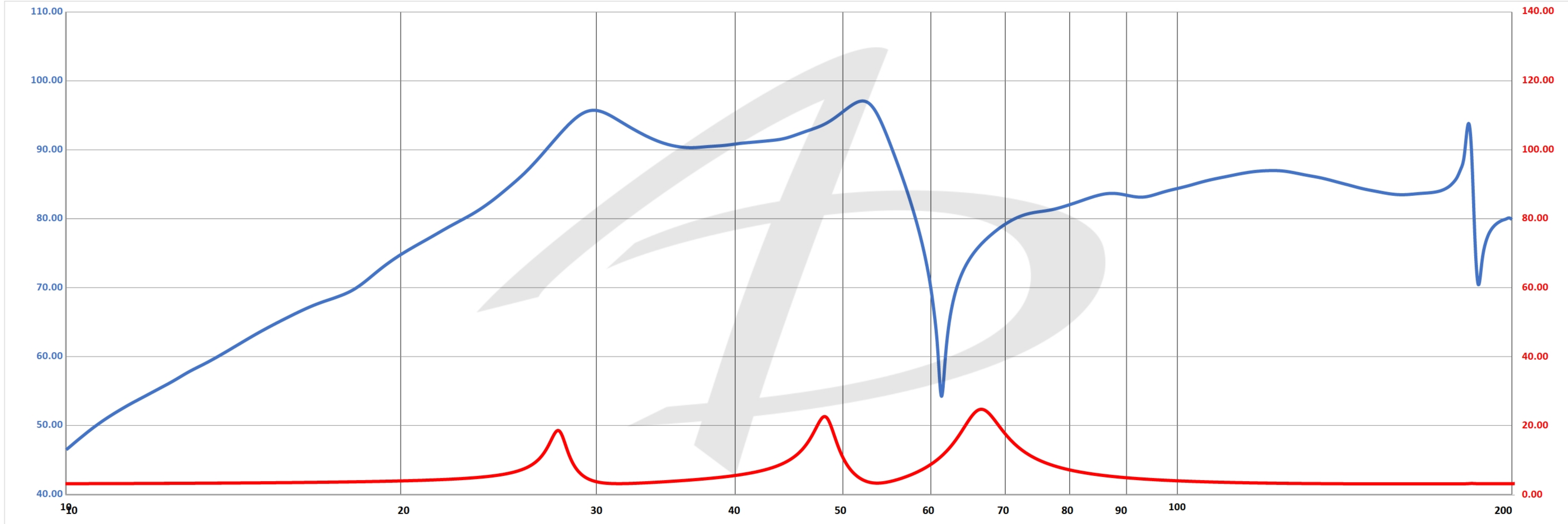
Special Notes

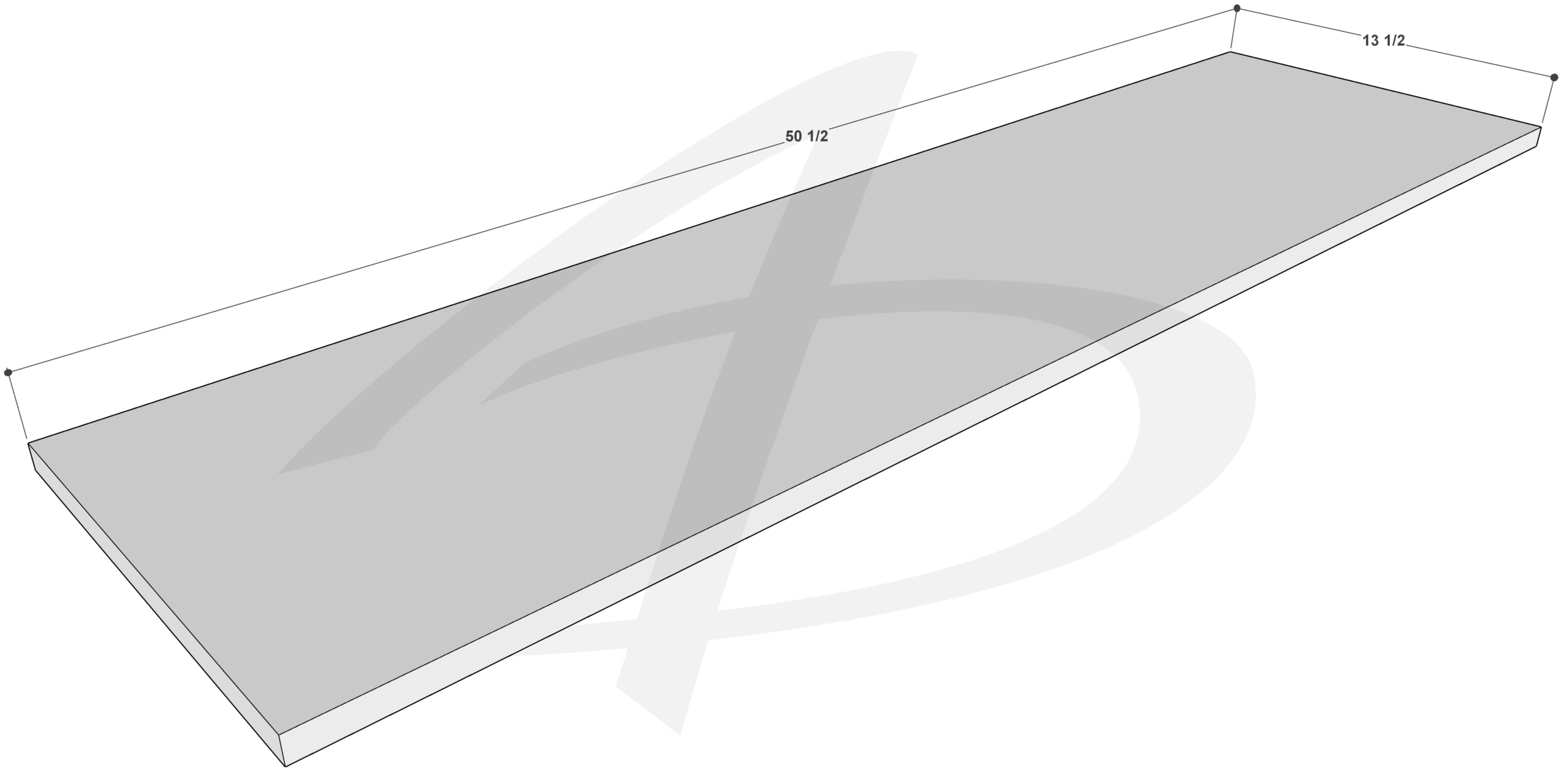
Amplifier Information	
Continuous Power Handling	1,200 W
Subsonic Filter Setting	28 Hz
Low Pass Filter Setting	55 Hz

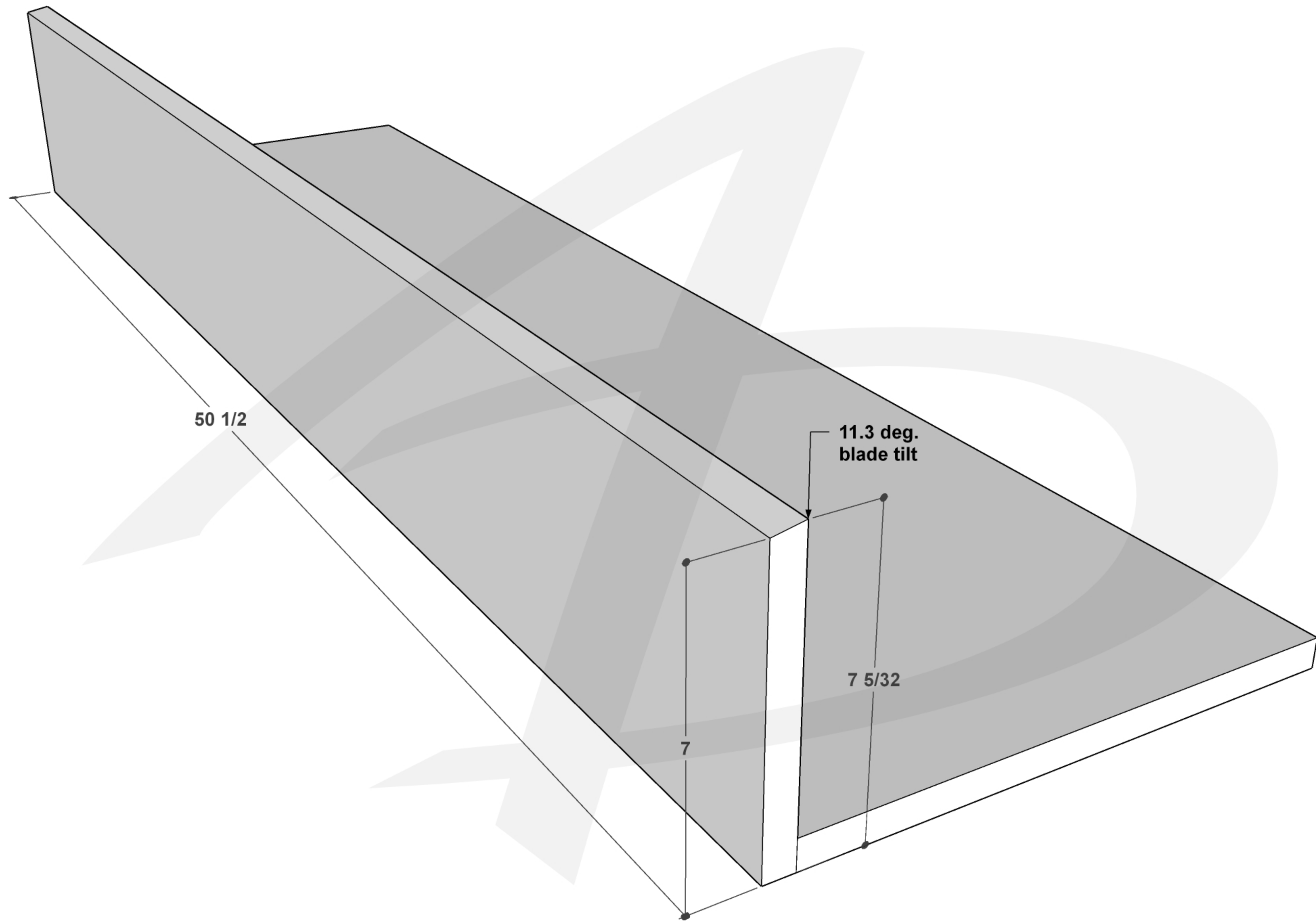
Subwoofer Information	
Make	Audio Dynamics
Model	AD3008 D4
Quantity	2

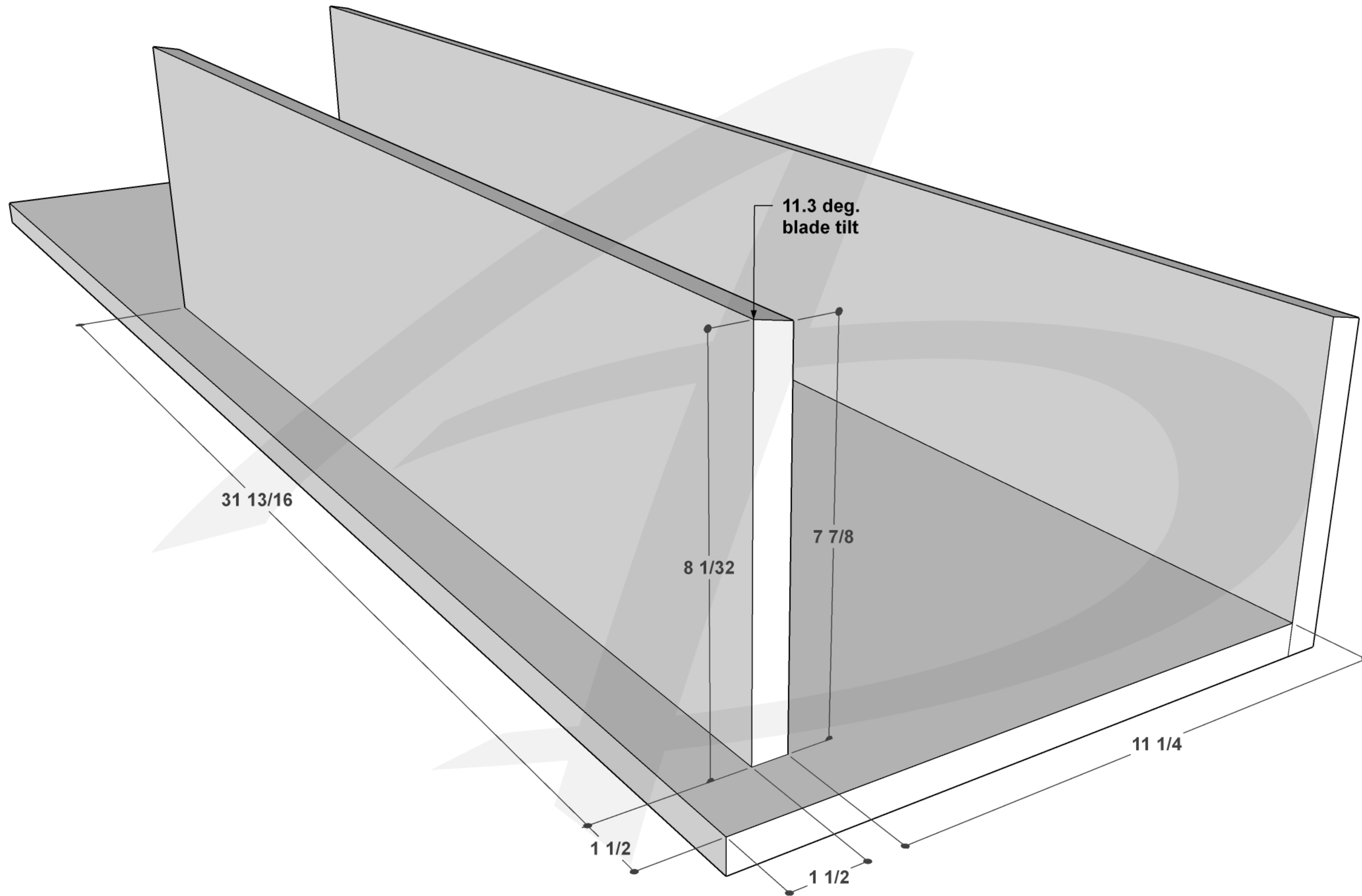
Performance Information	
SQ	<input checked="" type="checkbox"/> Within the Vehicle
<input checked="" type="checkbox"/> SQL	Outside the Vehicle
SPL	Metering Position

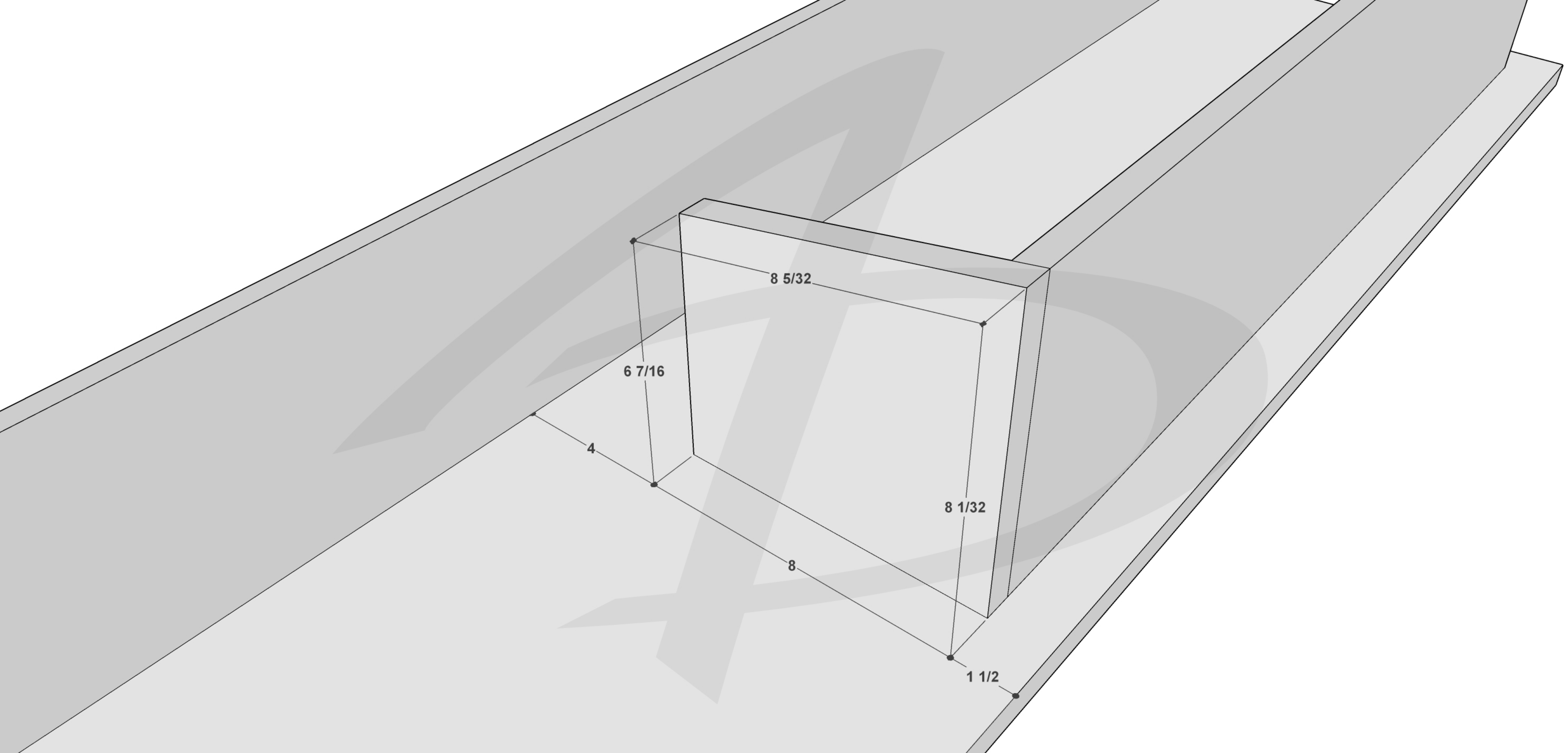
Metering Information		
Headrest	Peak Frequency	Hz
Dash / Windshield		
Foot Well		











$6 \frac{7}{16}$

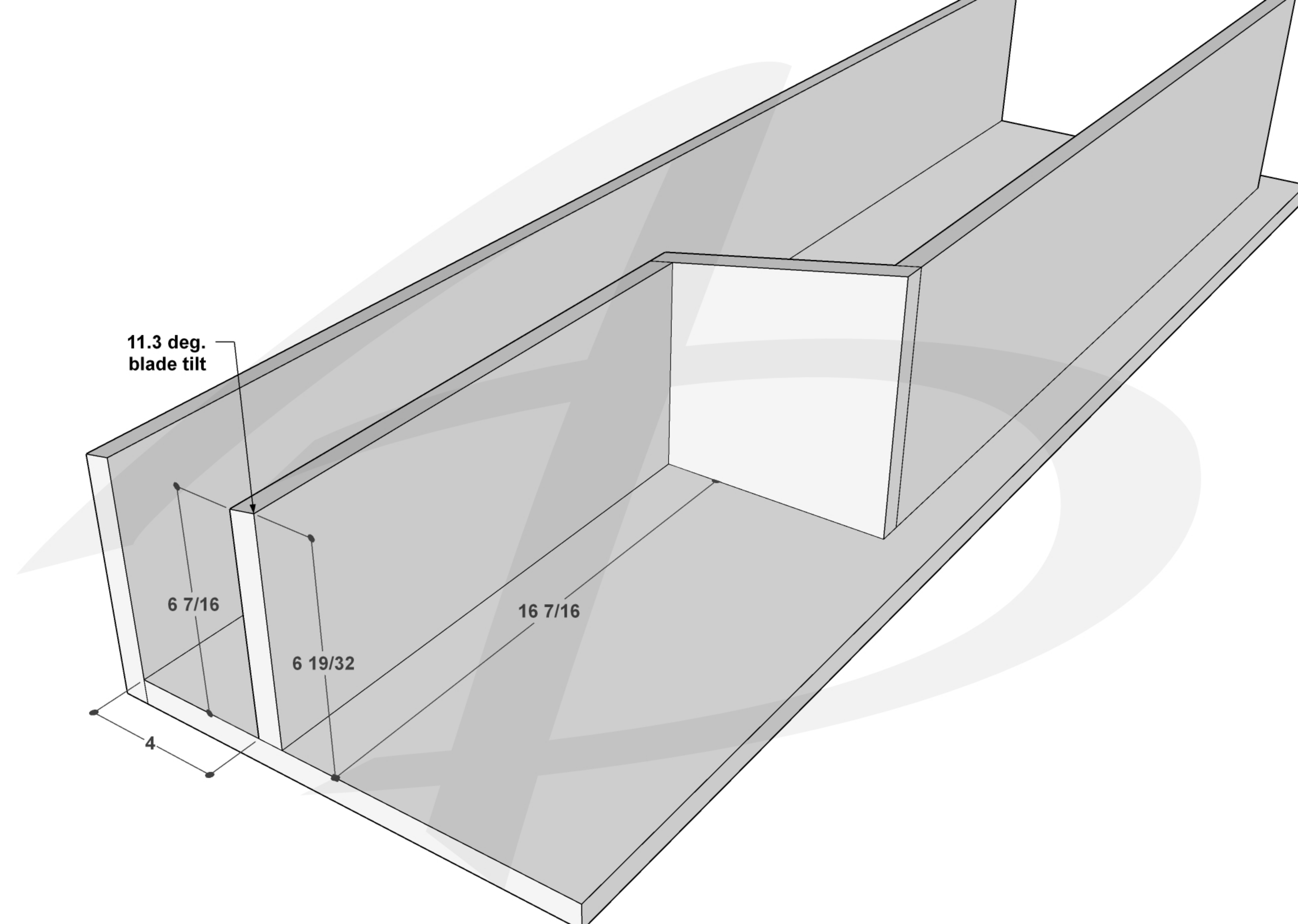
$8 \frac{5}{32}$

$8 \frac{1}{32}$

4

8

$1 \frac{1}{2}$



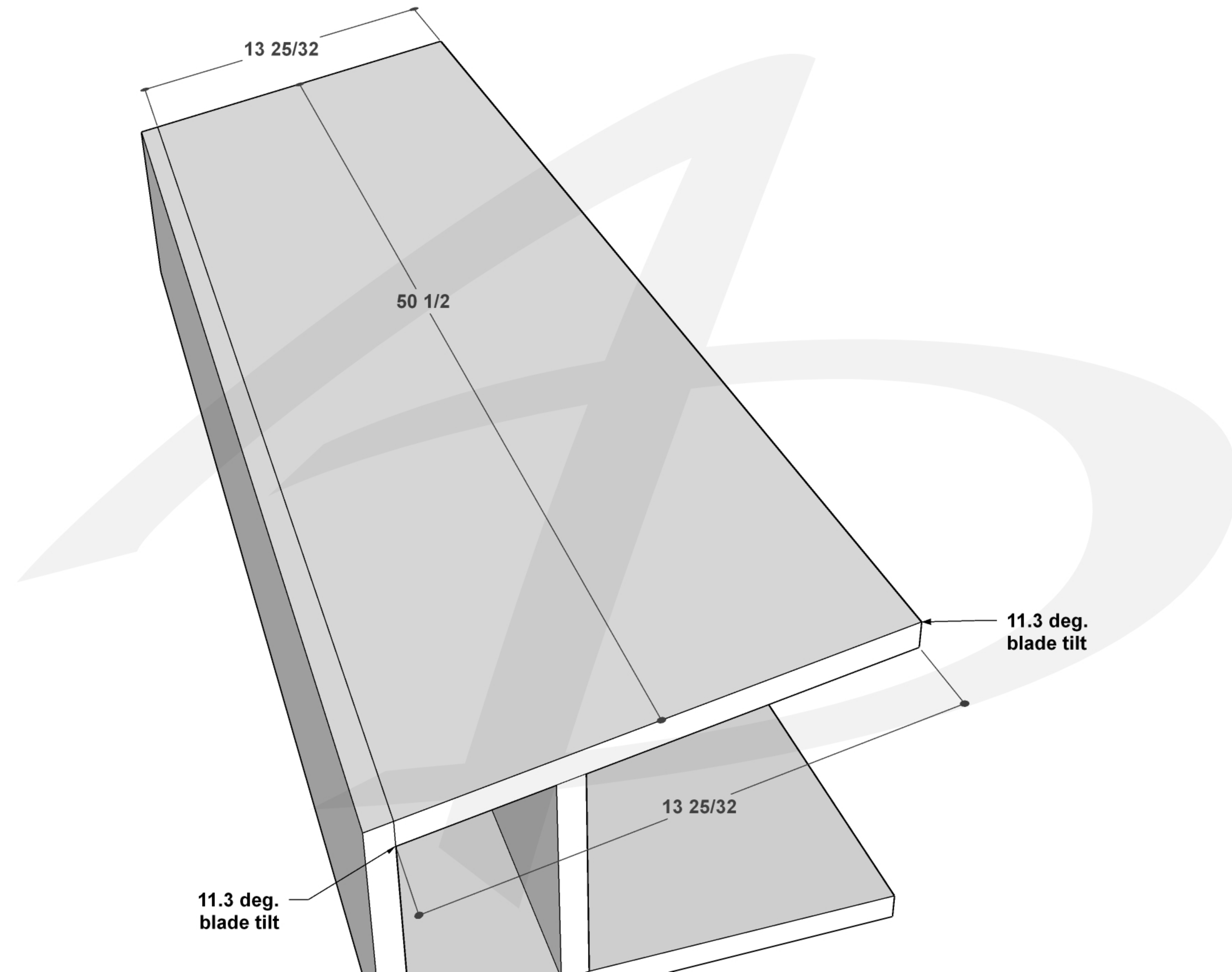
11.3 deg.
blade tilt

$6 \frac{7}{16}$

$6 \frac{19}{32}$

$16 \frac{7}{16}$

4



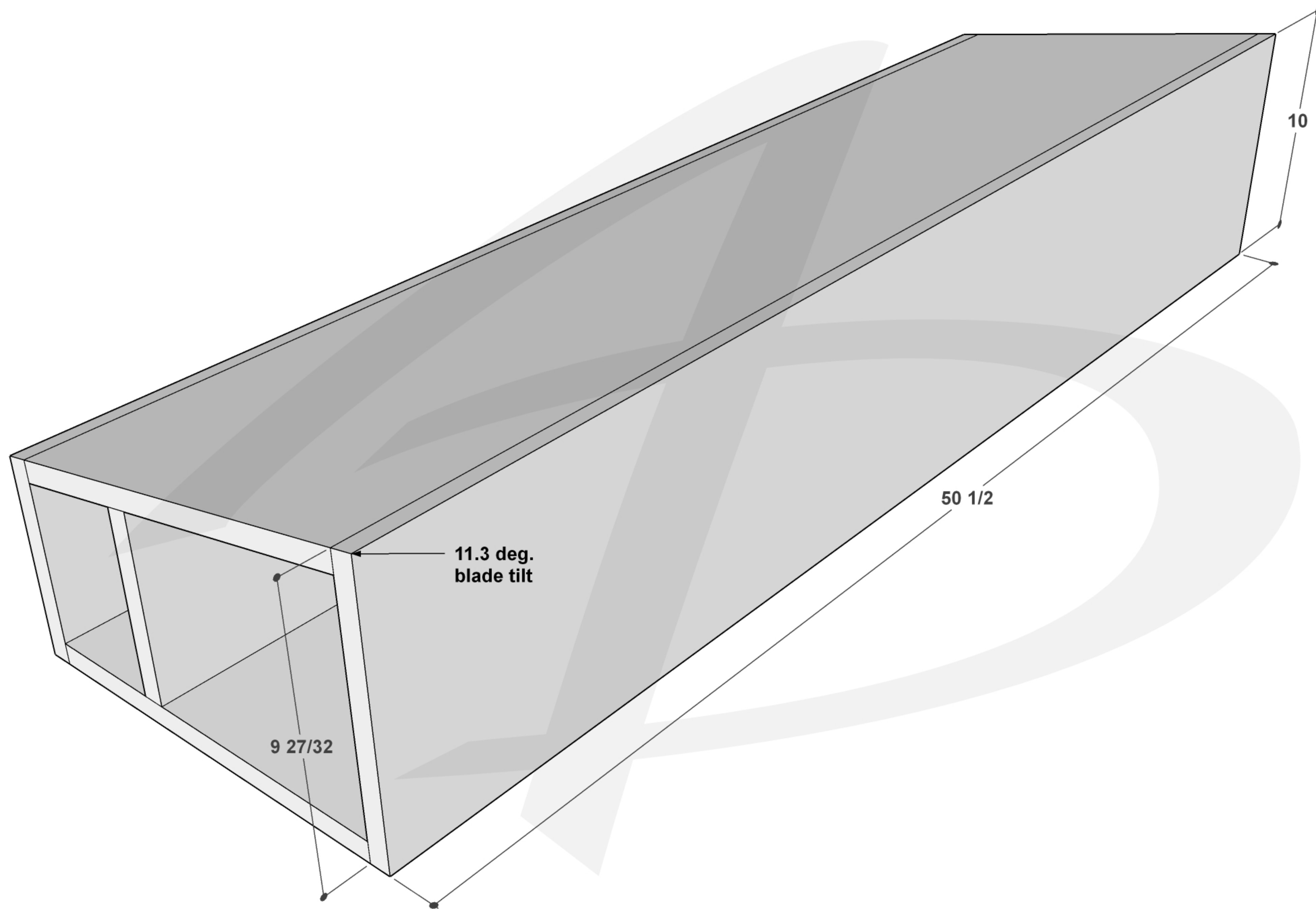
$13 \frac{25}{32}$

$50 \frac{1}{2}$

11.3 deg.
blade tilt

$13 \frac{25}{32}$

11.3 deg.
blade tilt

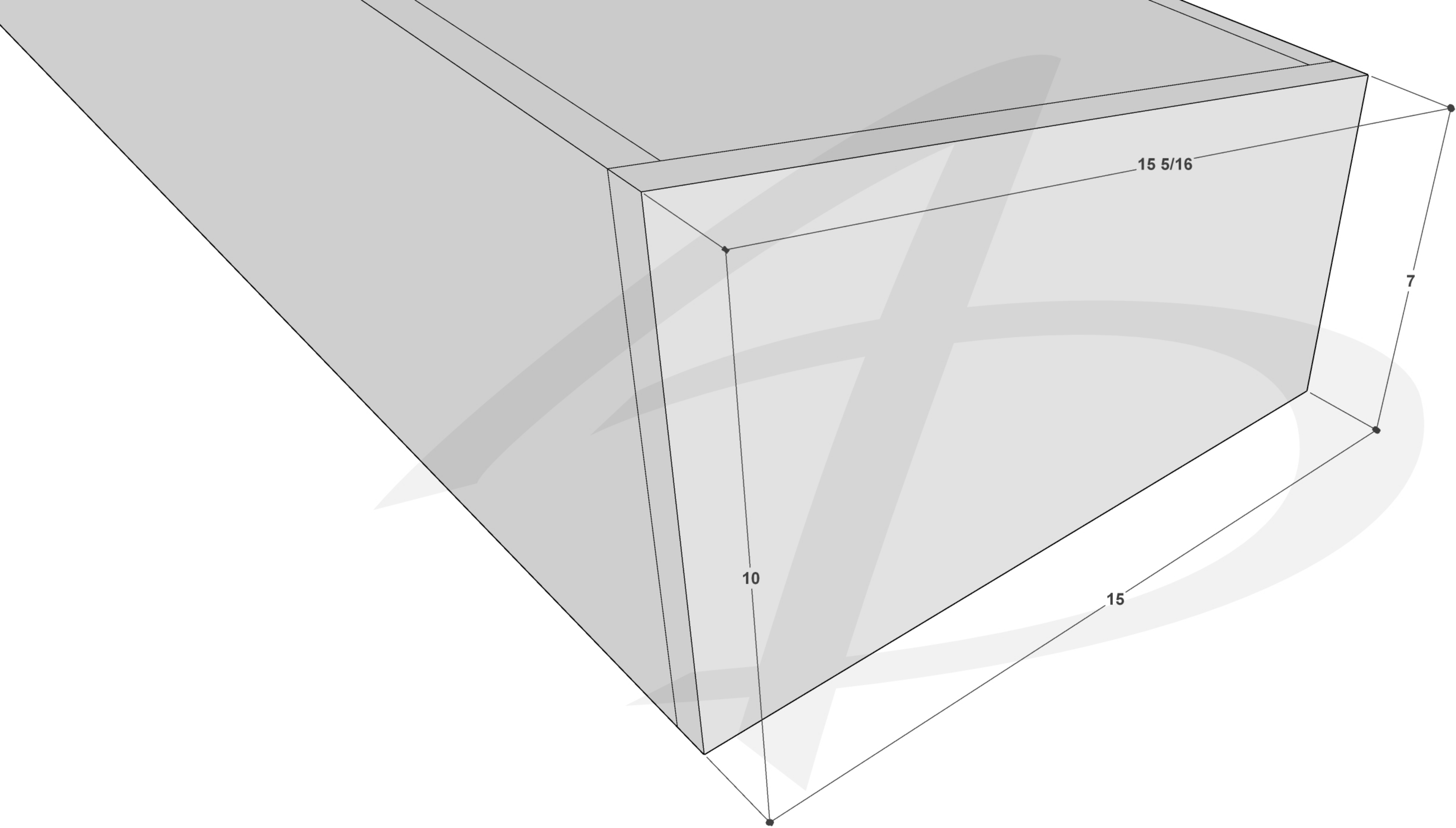


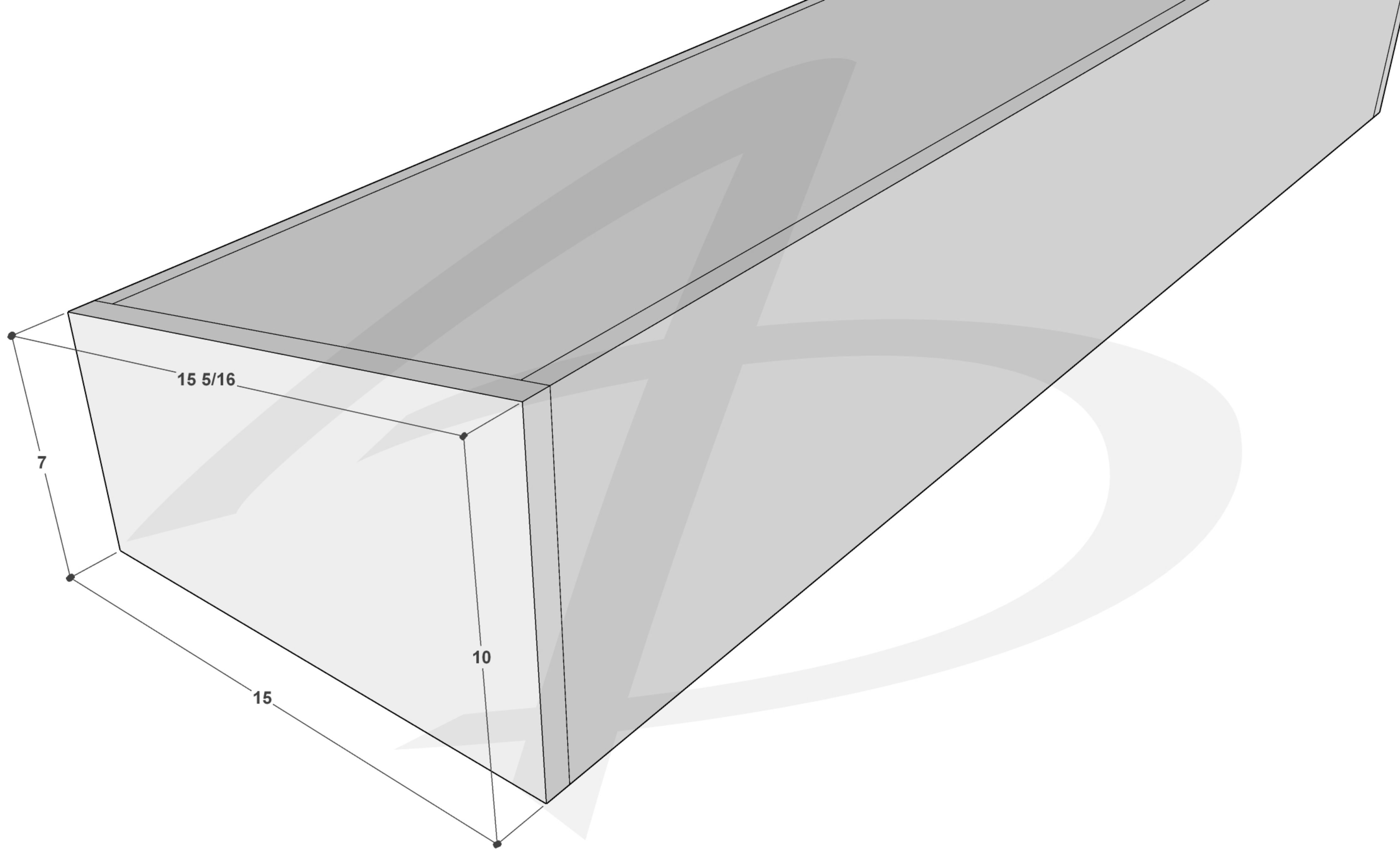
10

50 1/2

9 27/32

11.3 deg.
blade tilt





7

15 5/16

10

15

