



**AUDIO DYNAMICS**

| Vehicle Information |             |
|---------------------|-------------|
| Year                | Unspecified |
| Make                | Unspecified |
| Model               | Unspecified |

| Enclosure Information |   |
|-----------------------|---|
| Design Type           | Bass-Reflex   |
| Placement             | Cargo Area  |
| Orientation           | Position the enclosure with the subs directed rearward. |

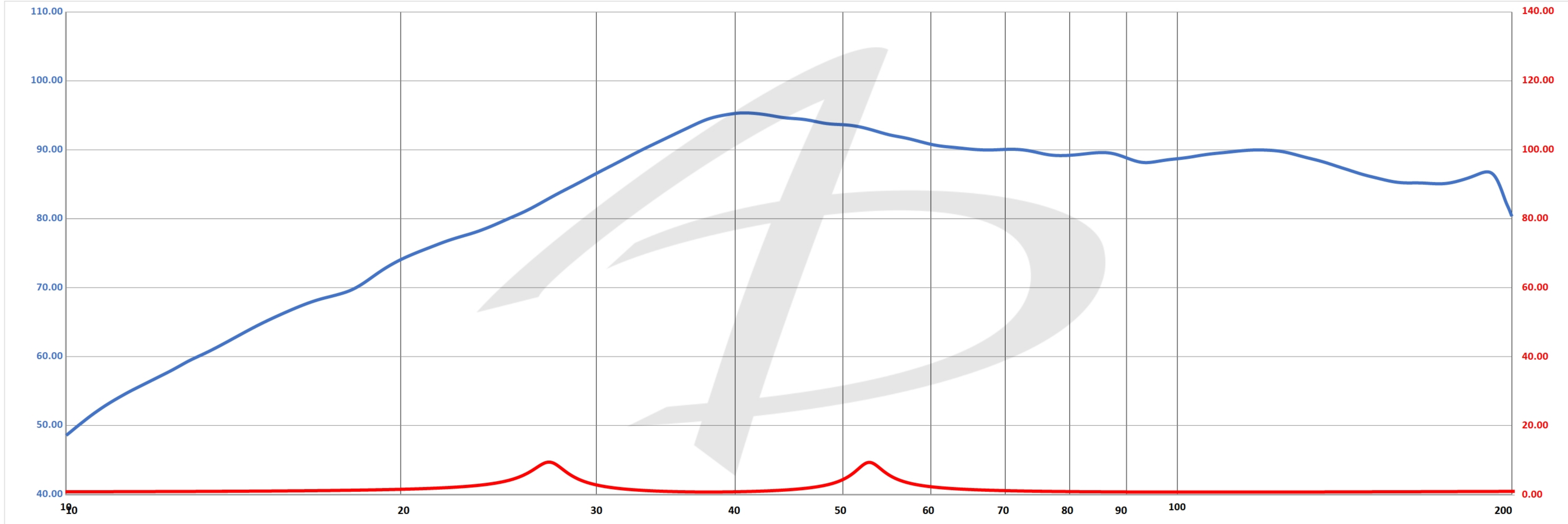
| Special Notes |
|---------------|
|               |

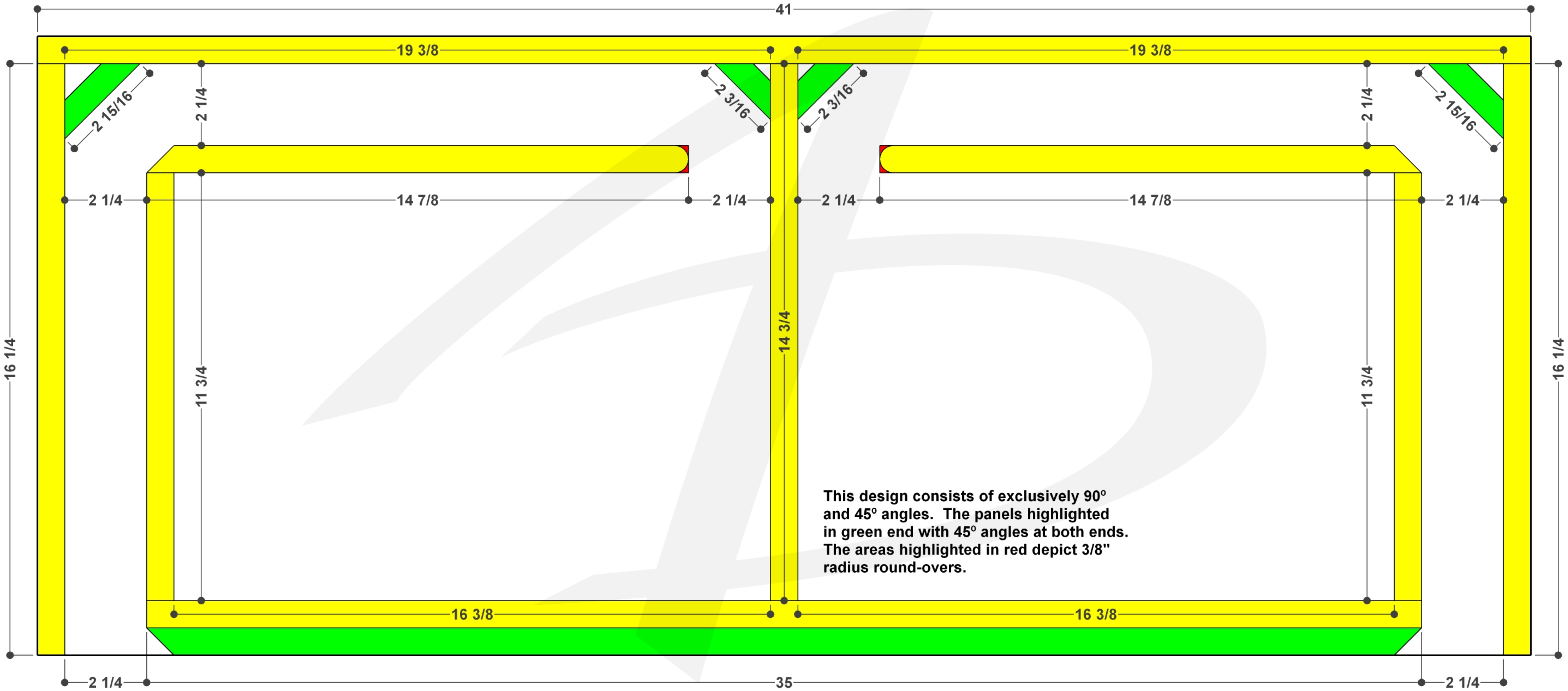
| Amplifier Information     |         |
|---------------------------|---------|
| Continuous Power Handling | 4,000 W |
| Subsonic Filter Setting   | 32 Hz   |
| Low Pass Filter Setting   | 65 Hz   |

| Subwoofer Information |                |
|-----------------------|----------------|
| Make                  | Audio Dynamics |
| Model                 | AD6015 D1      |
| Quantity              | 2              |

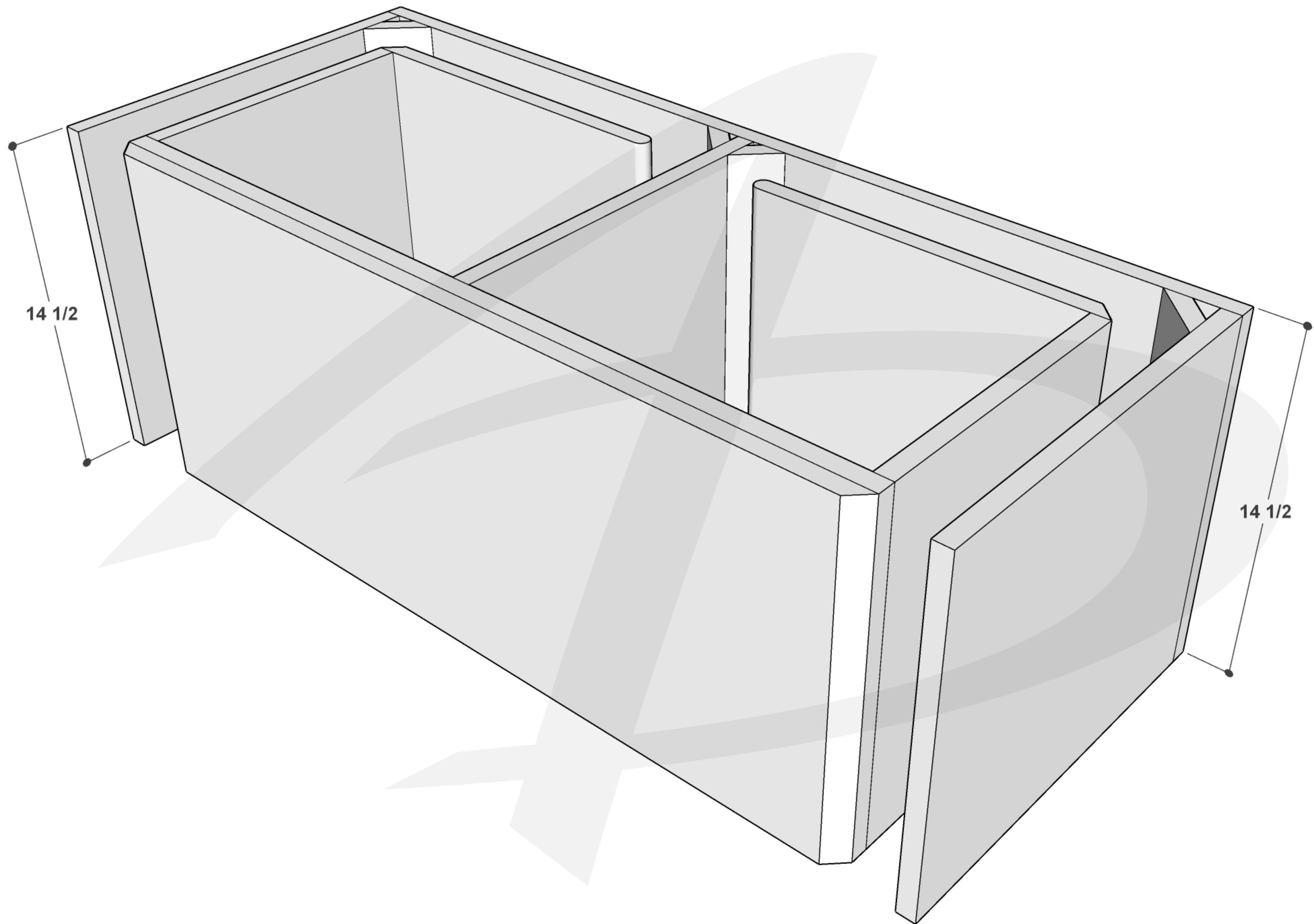
| Performance Information                 |  |
|---|--|
| SQ                                      | <input checked="" type="checkbox"/> Within the Vehicle |
| <input checked="" type="checkbox"/> SQL | Outside the Vehicle                                    |
| SPL                                     | Metering Position                                      |

| Metering Information |                |    |
|----------------------|----------------|----|
| Headrest             | Peak Frequency | Hz |
| Dash / Windshield    |                |    |
| Foot Well            |                |    |





This design consists of exclusively 90° and 45° angles. The panels highlighted in green end with 45° angles at both ends. The areas highlighted in red depict 3/8" radius round-overs.



14 1/2

14 1/2

