



AUDIO DYNAMICS

Vehicle Information	
Year	Unspecified
Make	Unspecified
Model	Unspecified

Enclosure Information	
Design Type	Bass-Reflex
Placement	Trunk
Orientation	Position the enclosure with the sub directed rearward, vent along the passenger side.

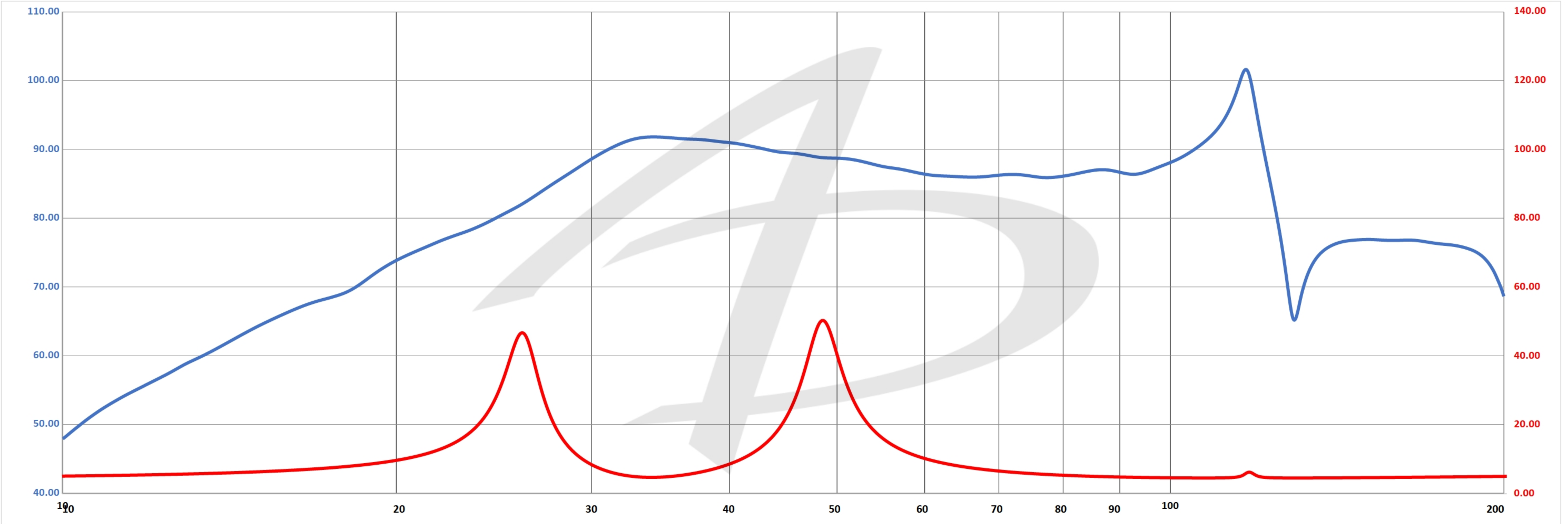
Special Notes

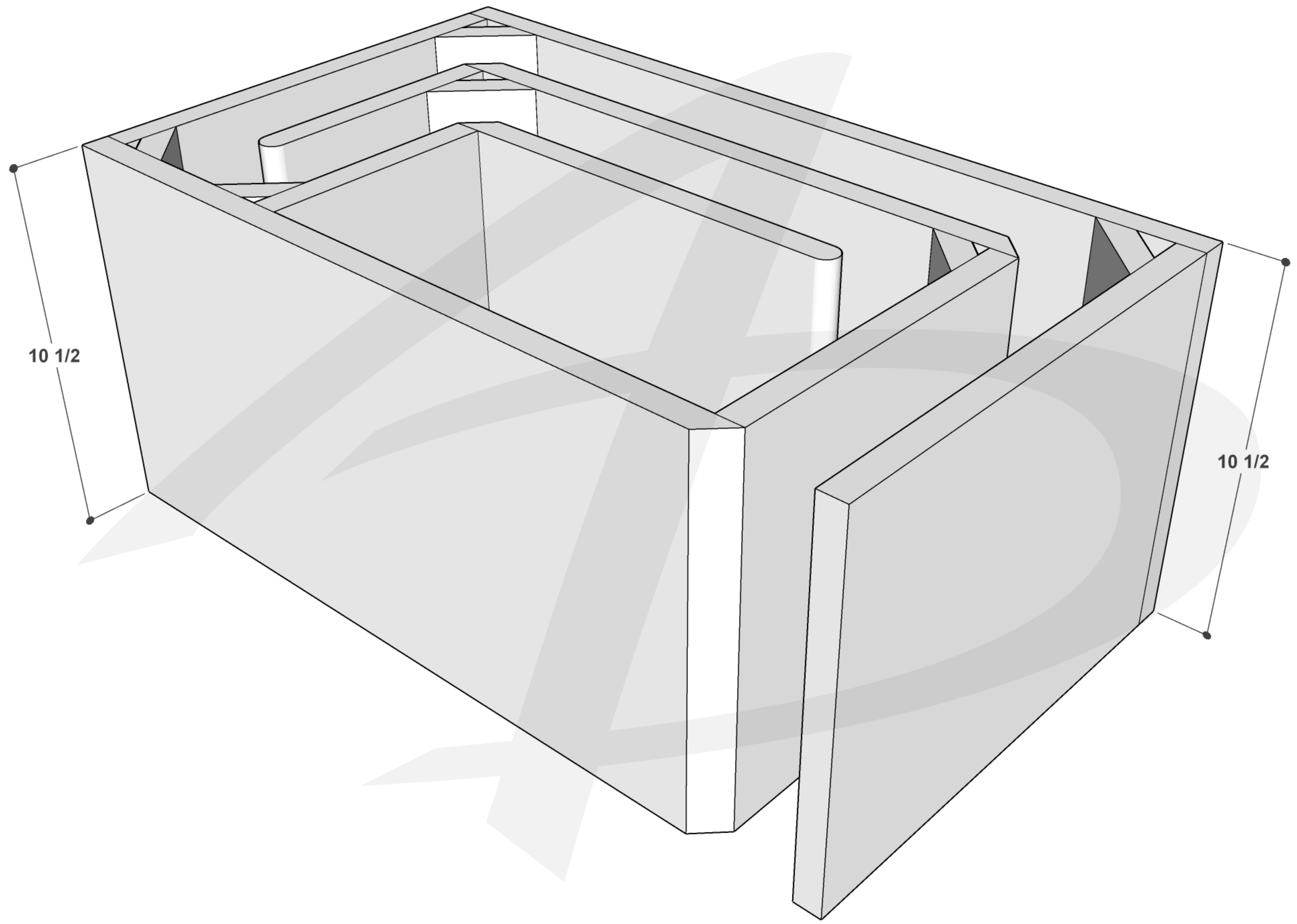
Amplifier Information	
Continuous Power Handling	600 W
Subsonic Filter Setting	30 Hz
Low Pass Filter Setting	60 Hz

Subwoofer Information	
Make	Audio Dynamics
Model	AD3010 D2
Quantity	1

Performance Information	
SQ	<input checked="" type="checkbox"/> Within the Vehicle
<input checked="" type="checkbox"/> SQL	Outside the Vehicle
SPL	Metering Position

Metering Information		
Headrest	Peak Frequency	Hz
Dash / Windshield		
Foot Well		





10 1/2

10 1/2

