

Vehicle Information	
Year	2007
Make	Ford
Model	F350

Enclosure Information	
Design Type	Bass-Reflex
Placement	Center console area
Orientation	Position the enclosure with the subs directed downward along the front, vent along the rear.



AUDIO DYNAMICS

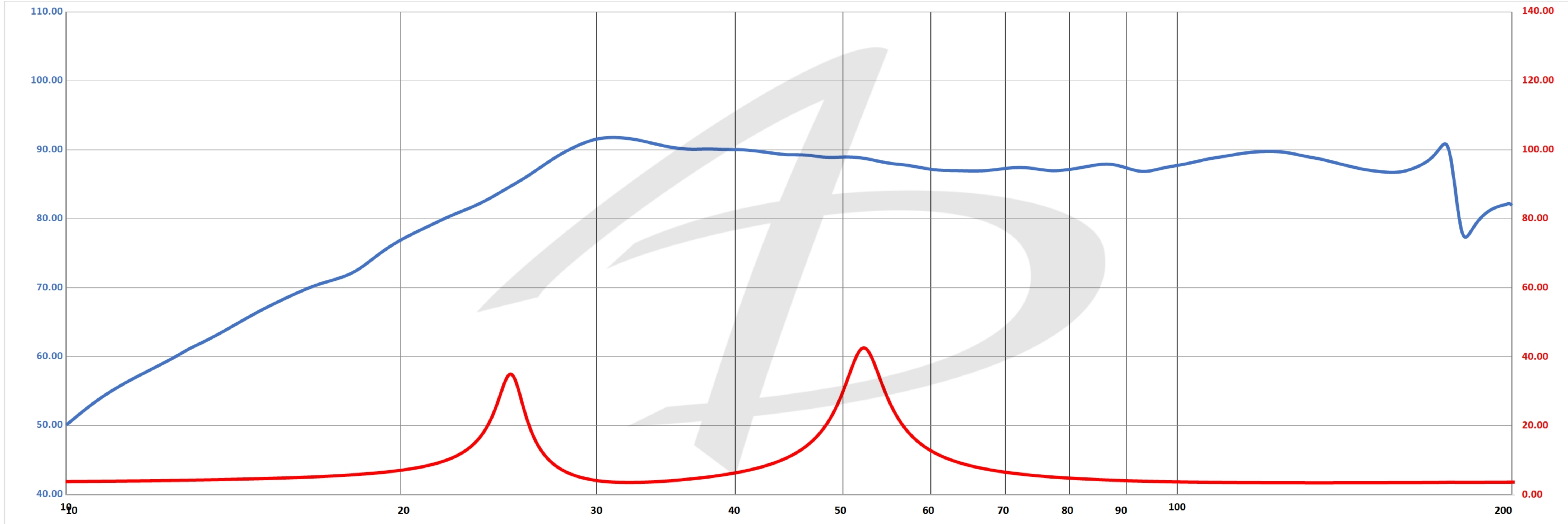
Special Notes	

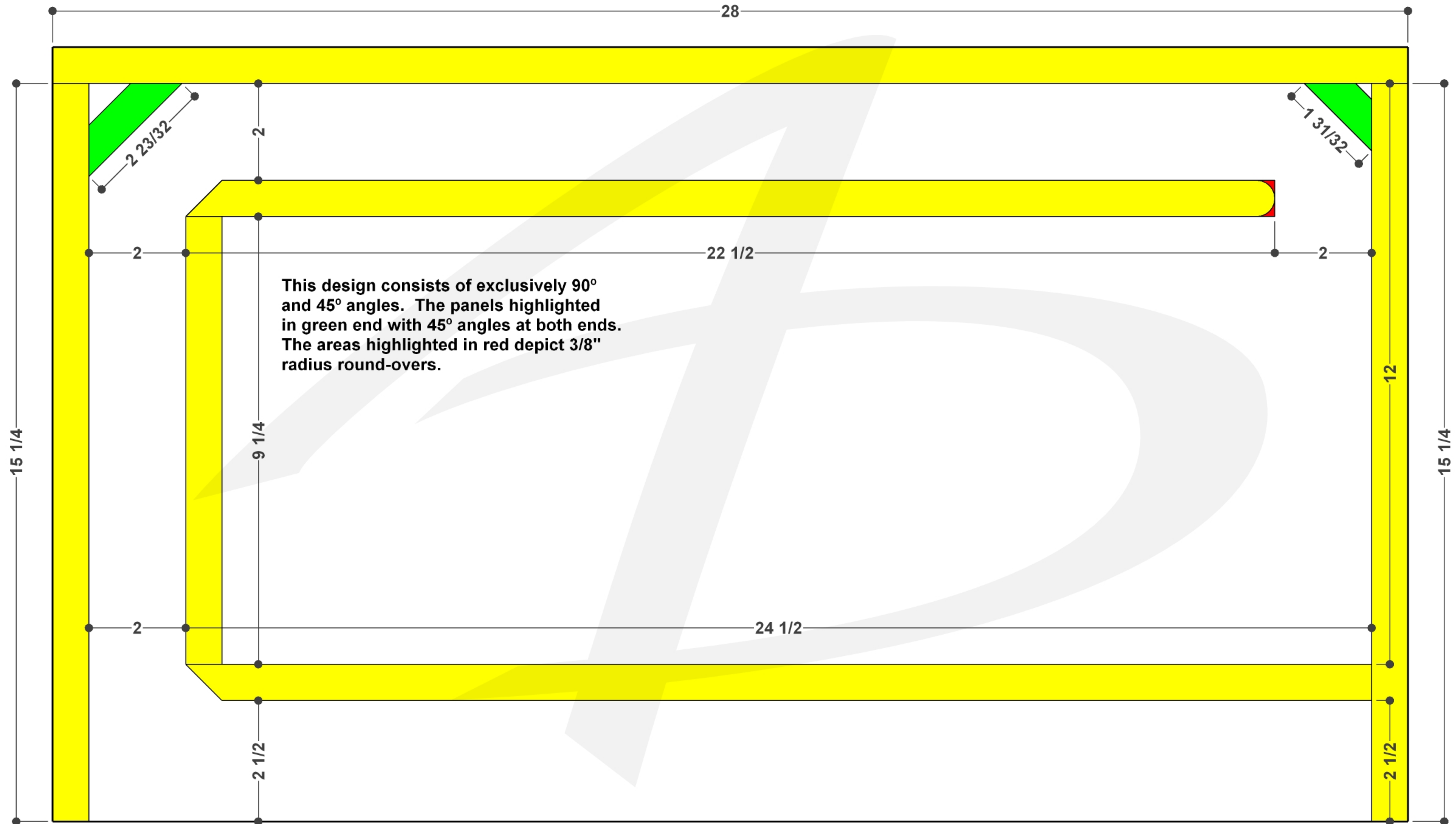
Amplifier Information	
Continuous Power Handling	1,200 W
Subsonic Filter Setting	28 Hz
Low Pass Filter Setting	60 Hz

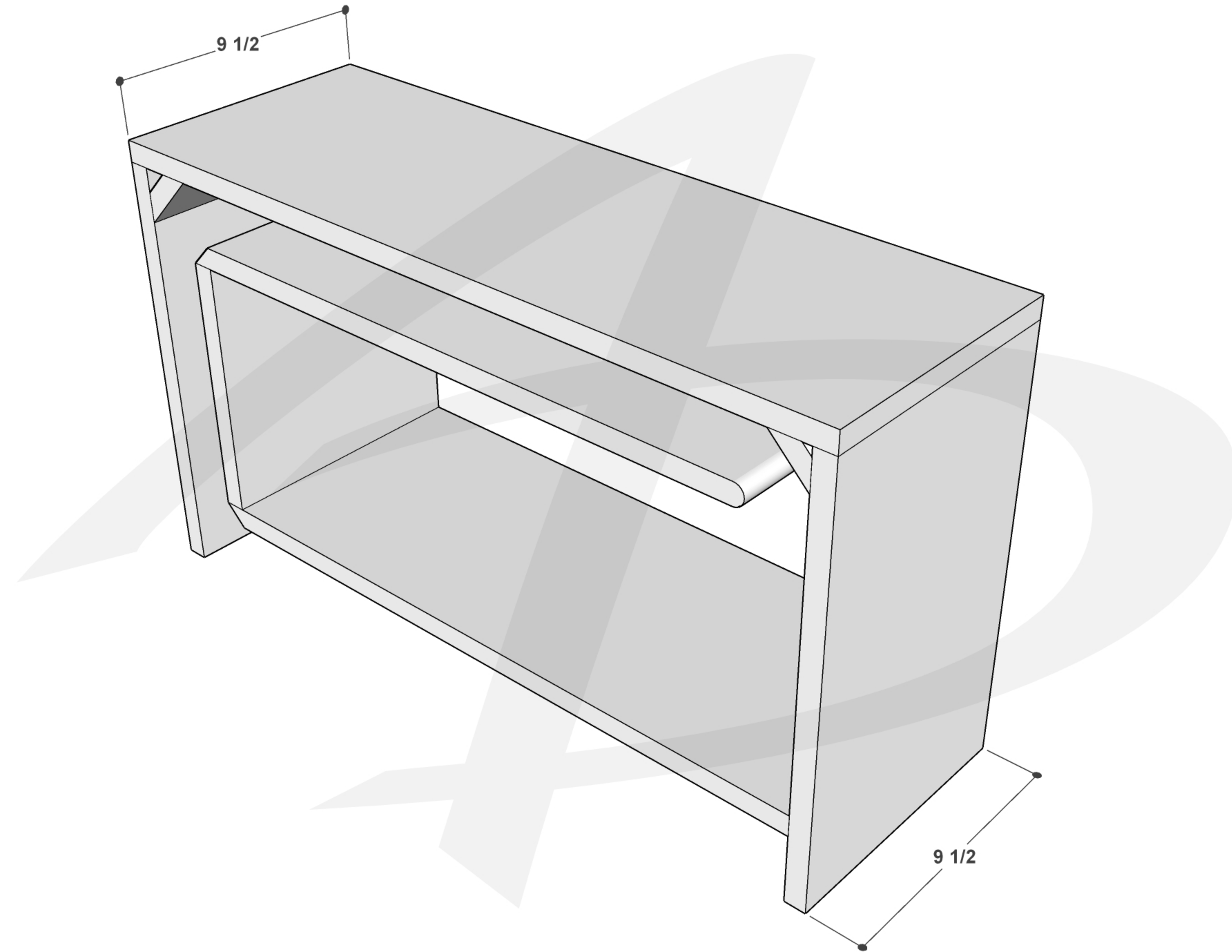
Subwoofer Information	
Make	Audio Dynamics
Model	AD3010 D4
Quantity	2

Performance Information	
SQ	<input checked="" type="checkbox"/> Within the Vehicle
<input checked="" type="checkbox"/> SQL	Outside the Vehicle
SPL	Metering Position

Metering Information		
Headrest	Peak Frequency	Hz
Dash / Windshield		
Foot Well		

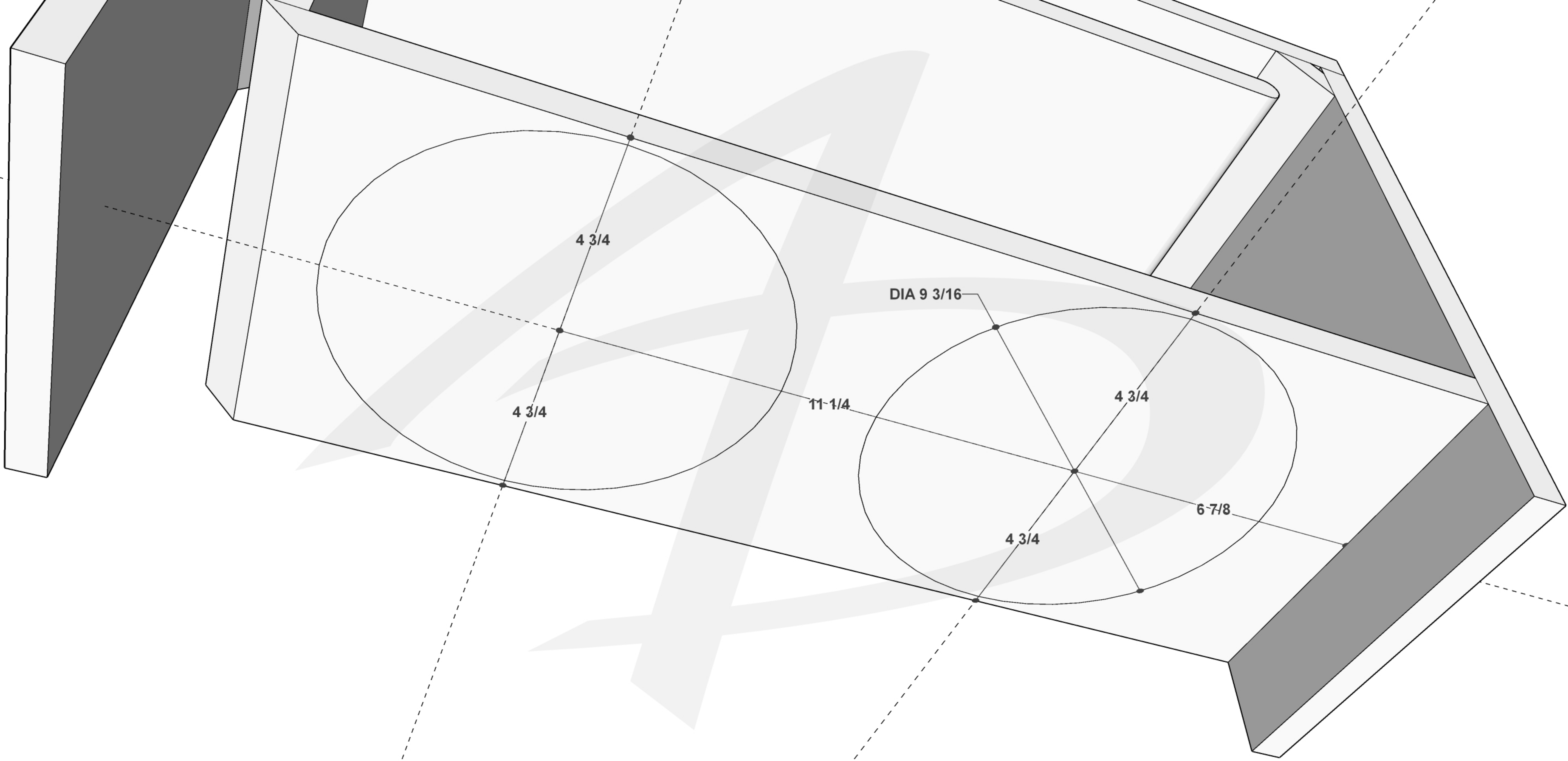


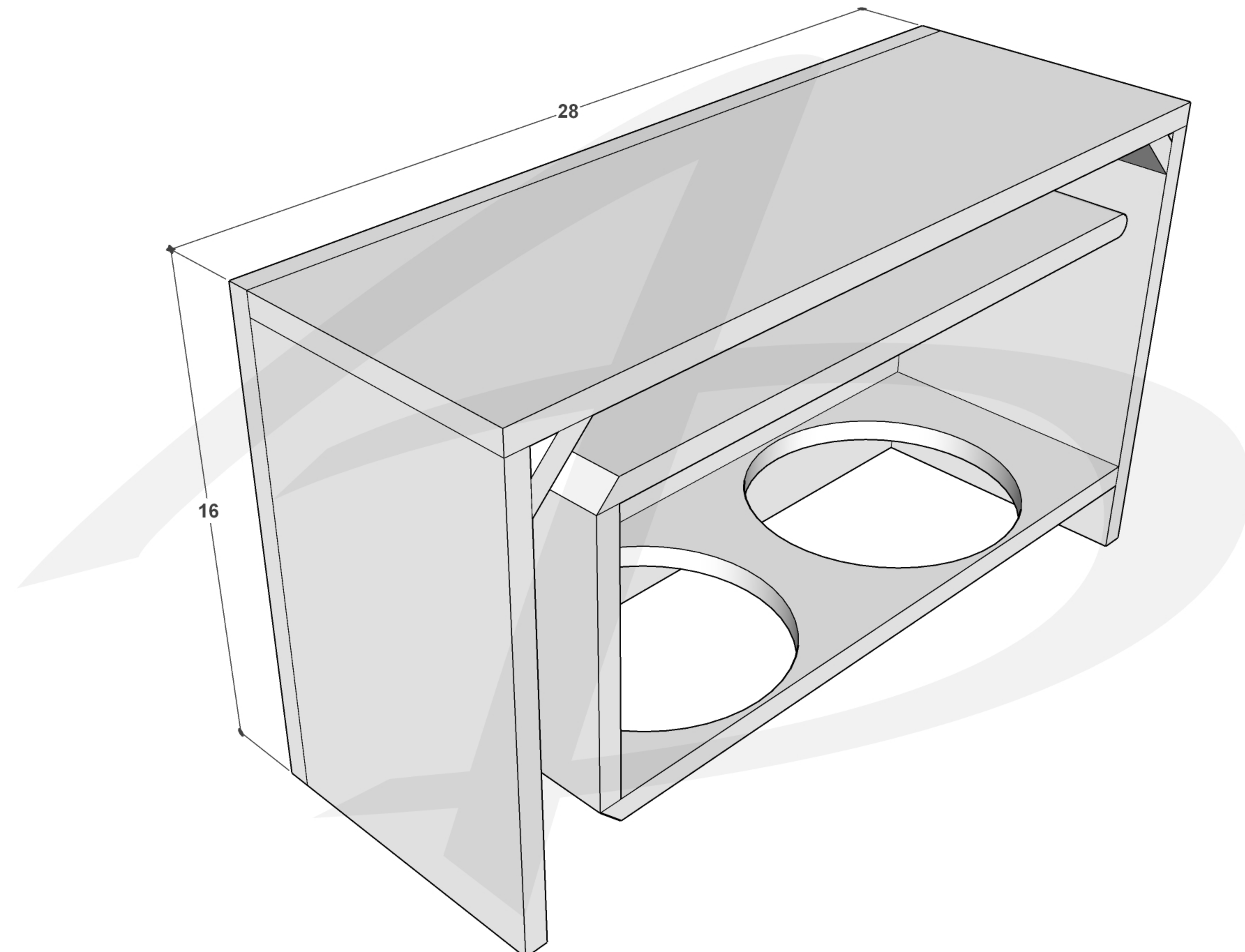


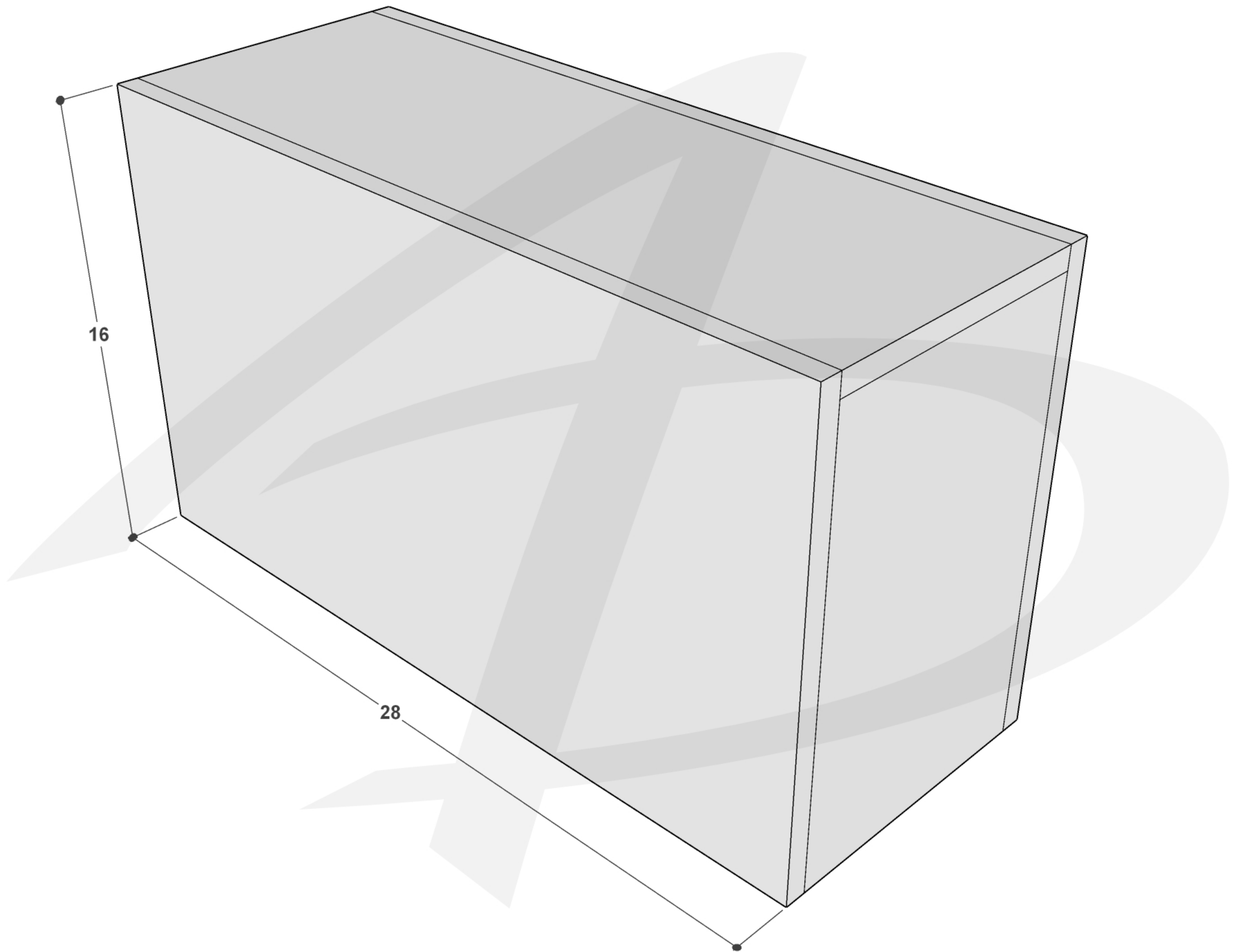


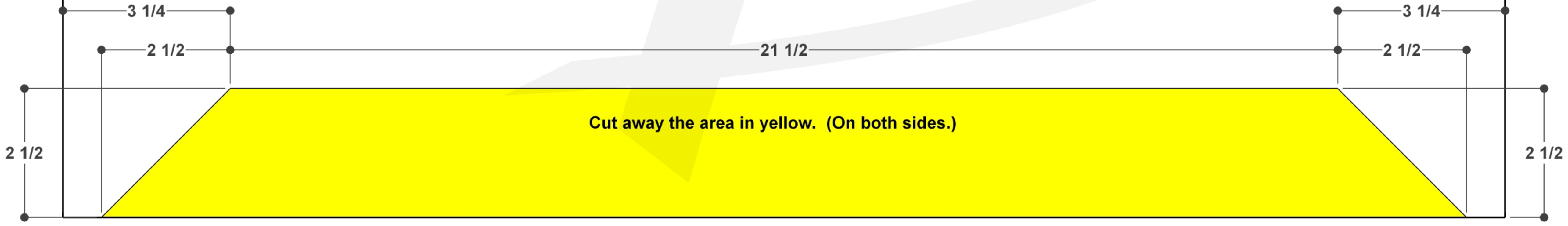
9 1/2

9 1/2









Cut away the area in yellow. (On both sides.)

