

Vehicle Information	
Year	2023
Make	Gyundai
Model	Genesis G80

Enclosure Information	
Design Type	Bass-Reflex
Placement	Trunk
Orientation	Position the enclosure with the sub directed upward along the driver side, vent directed rearward along the passenger side.



**AUDIO DYNAMICS**

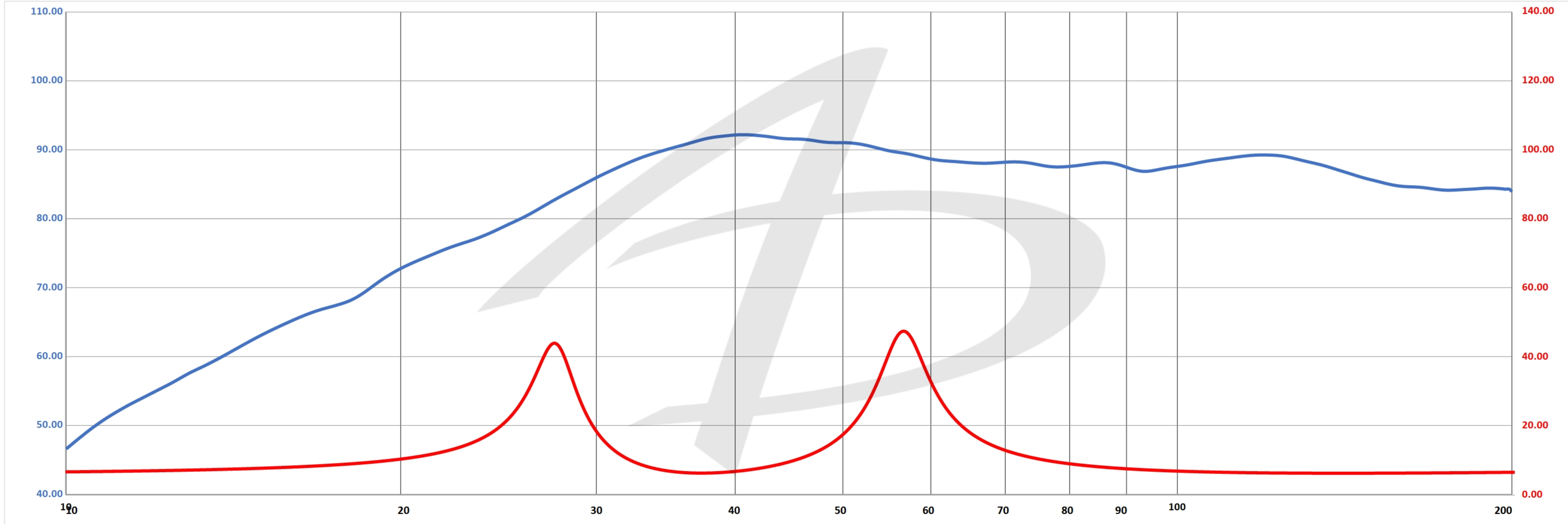
Special Notes	

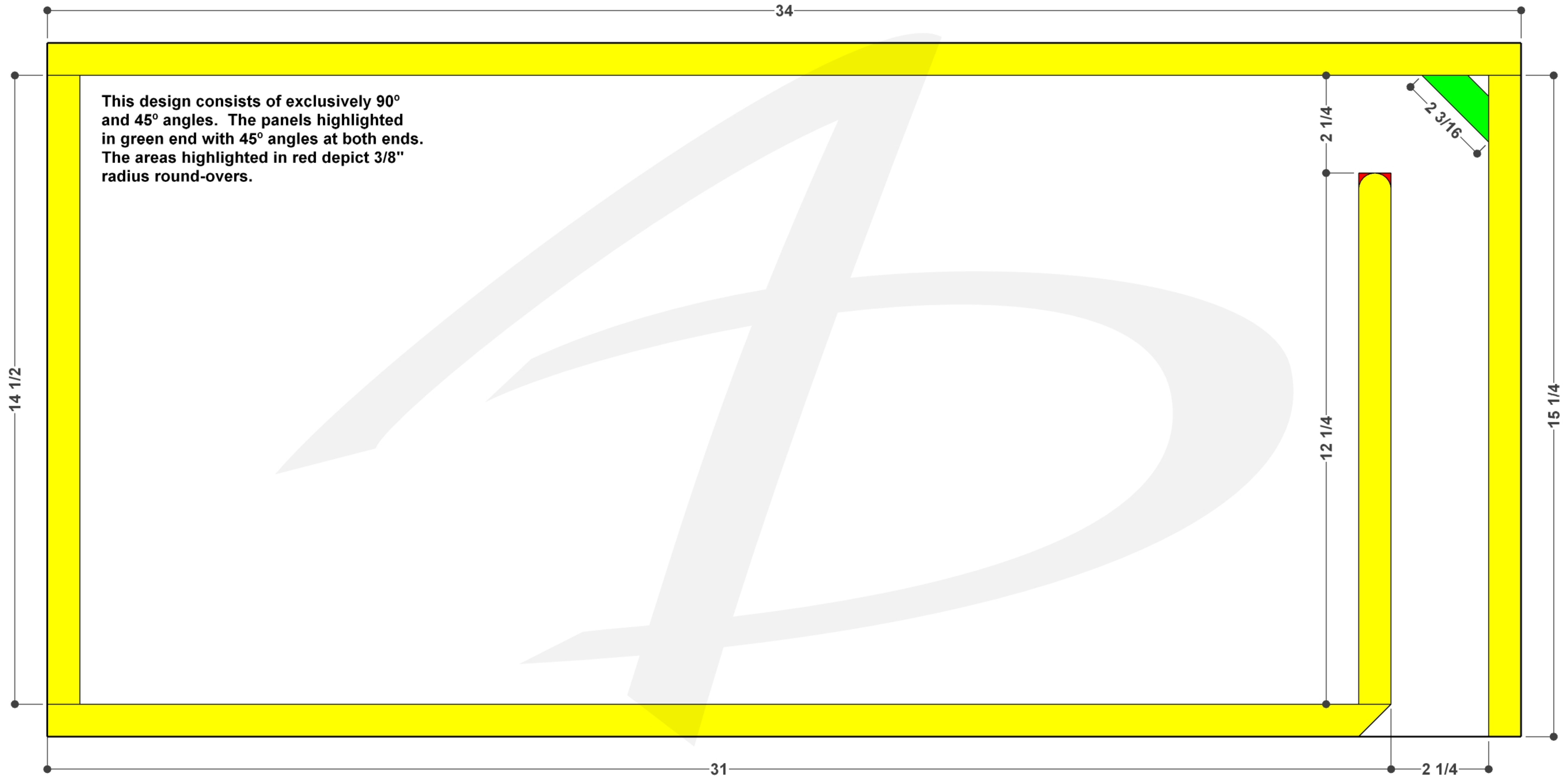
Amplifier Information	
Continuous Power Handling	300 W
Subsonic Filter Setting	34 Hz
Low Pass Filter Setting	60 Hz

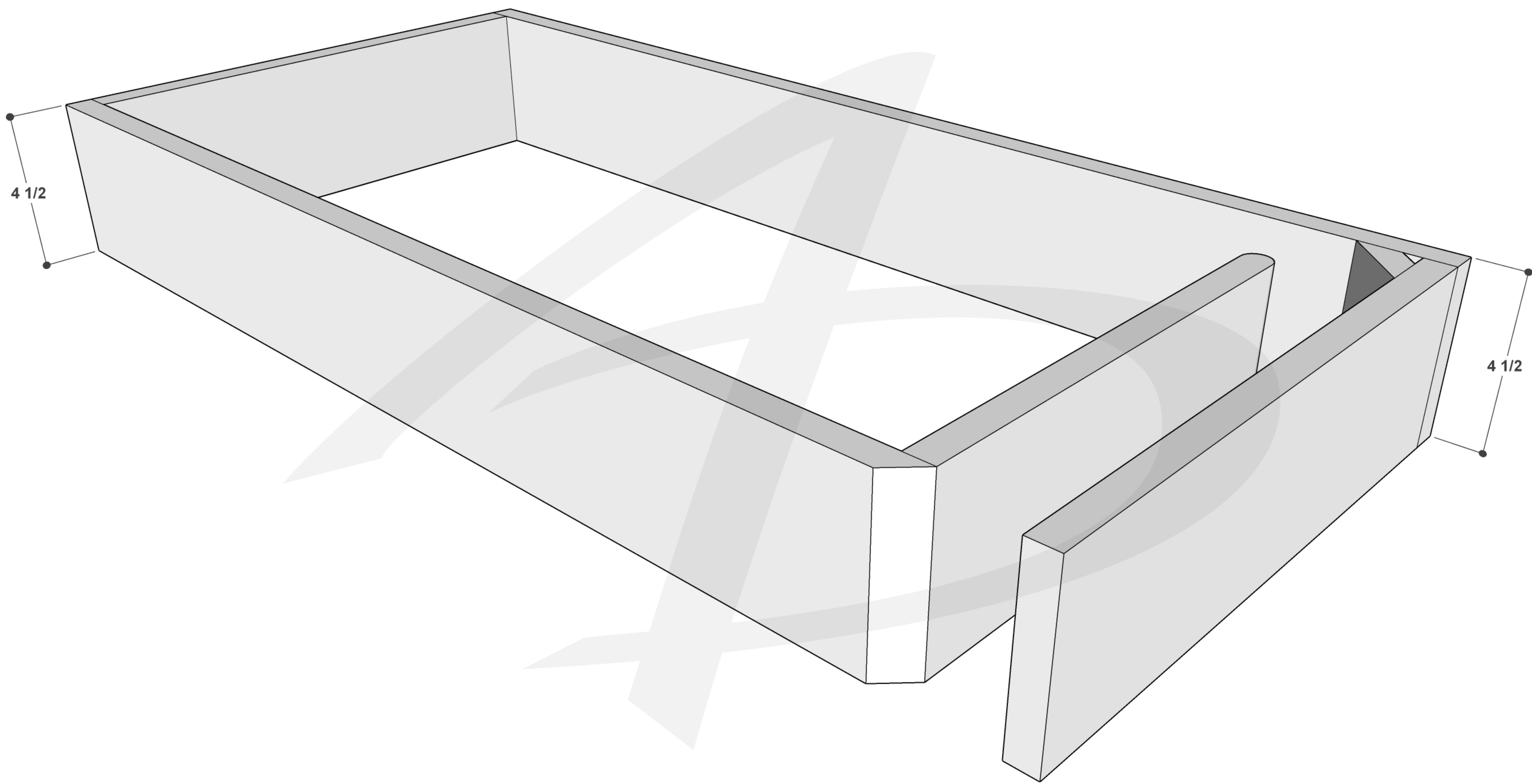
Subwoofer Information	
Make	Audio Dynamics
Model	AD2510 D4
Quantity	1

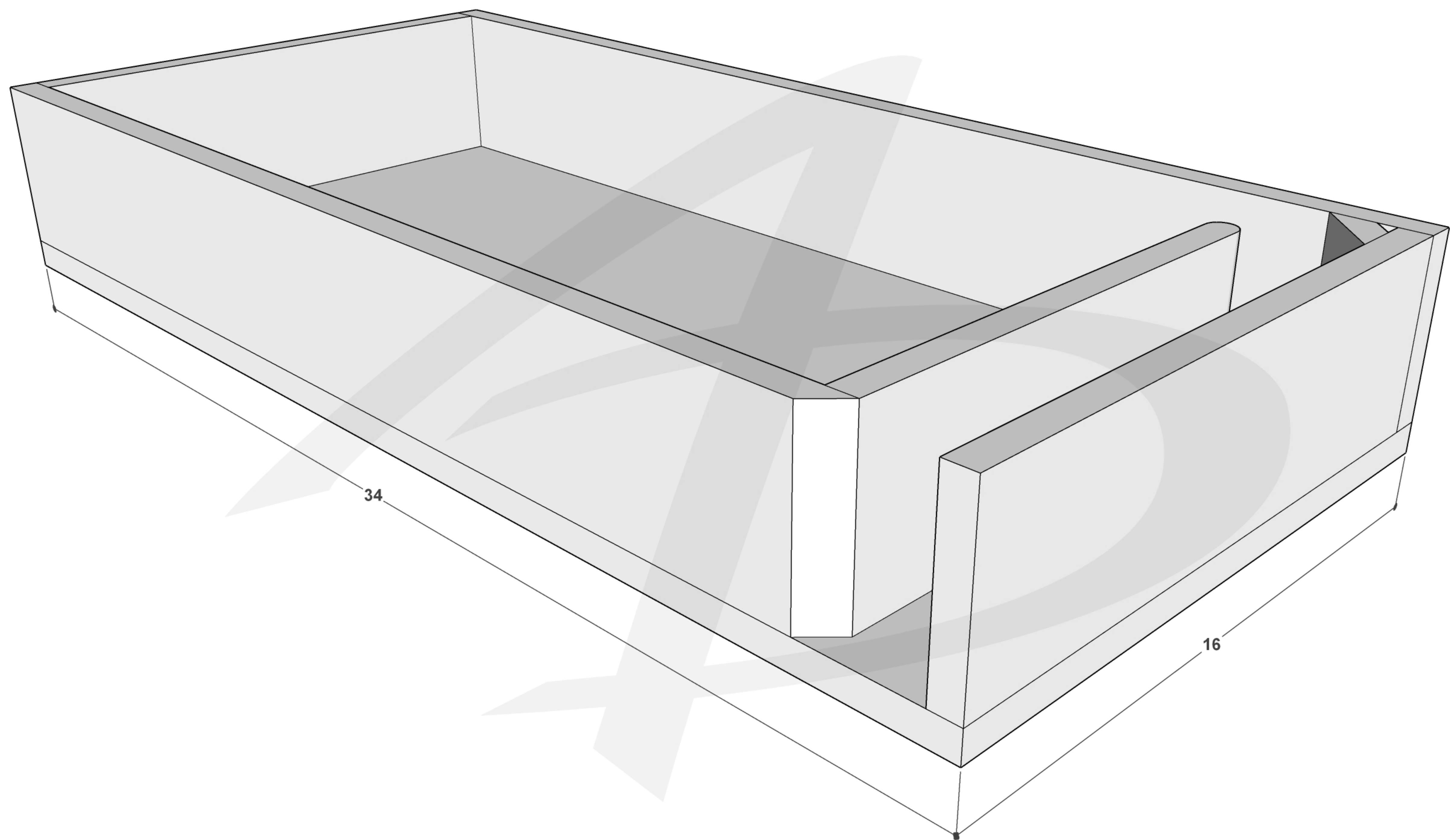
Performance Information	
SQ	<input checked="" type="checkbox"/> Within the Vehicle
<input checked="" type="checkbox"/> SQL	Outside the Vehicle
SPL	Metering Position

Metering Information		
Headrest	Peak Frequency	Hz
Dash / Windshield		
Foot Well		



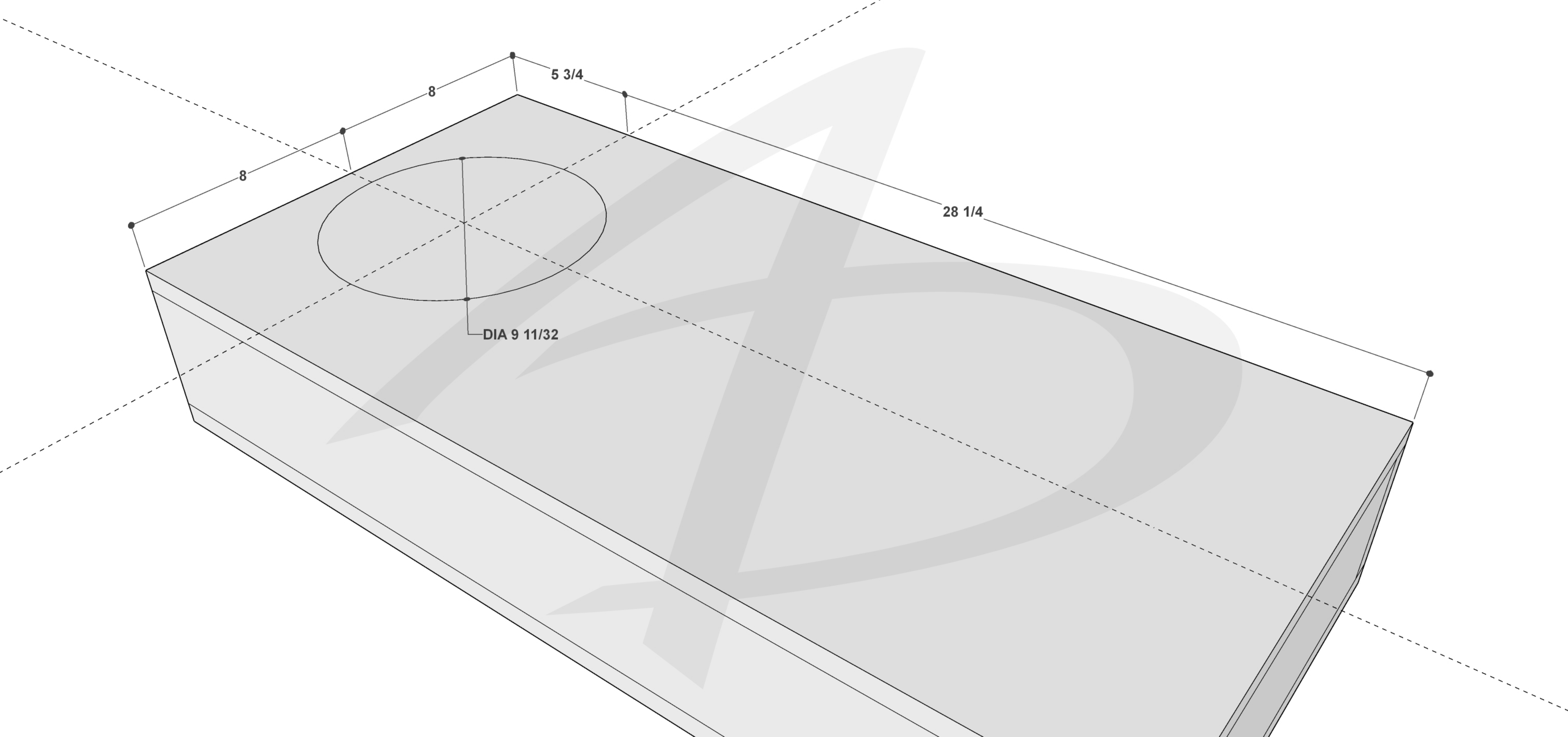






34

16



5 3/4

8

8

28 1/4

DIA 9 11/32

