



**AUDIO DYNAMICS**

Vehicle Information	
Year	Unspecified
Make	Unspecified
Model	Unspecified

Enclosure Information	
Design Type	Bass-Reflex
Placement	Trunk
Orientation	Position the enclosure with the sub directed rearward along the driver side, vent along the passenger side.

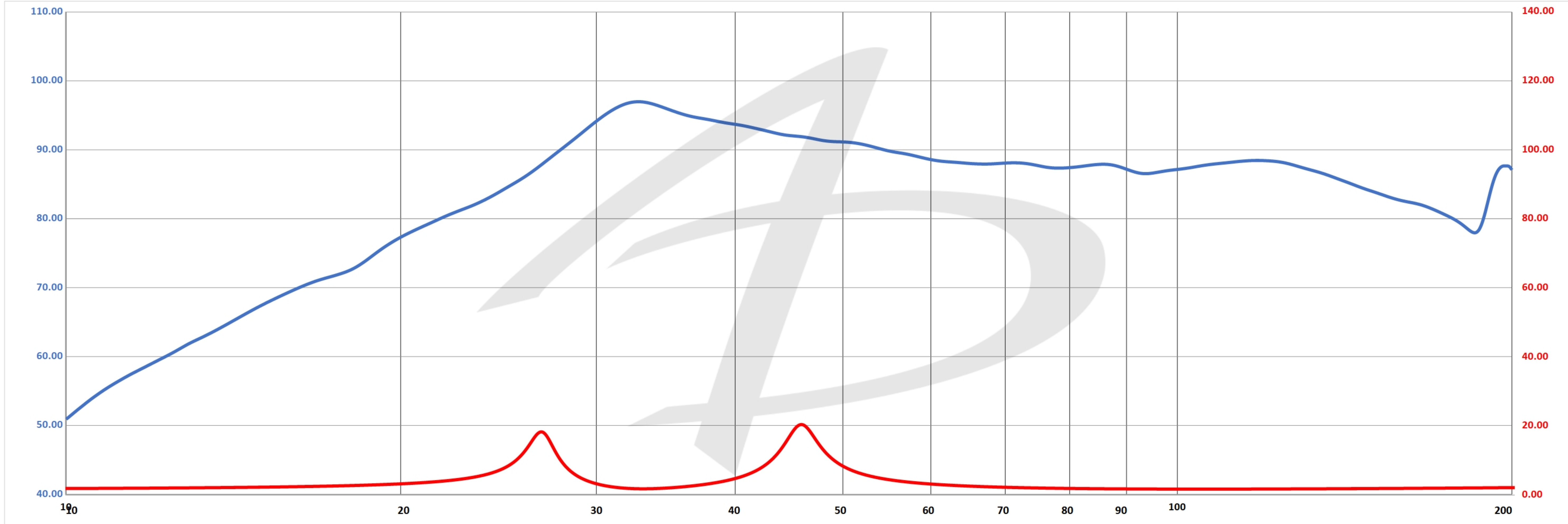
Special Notes

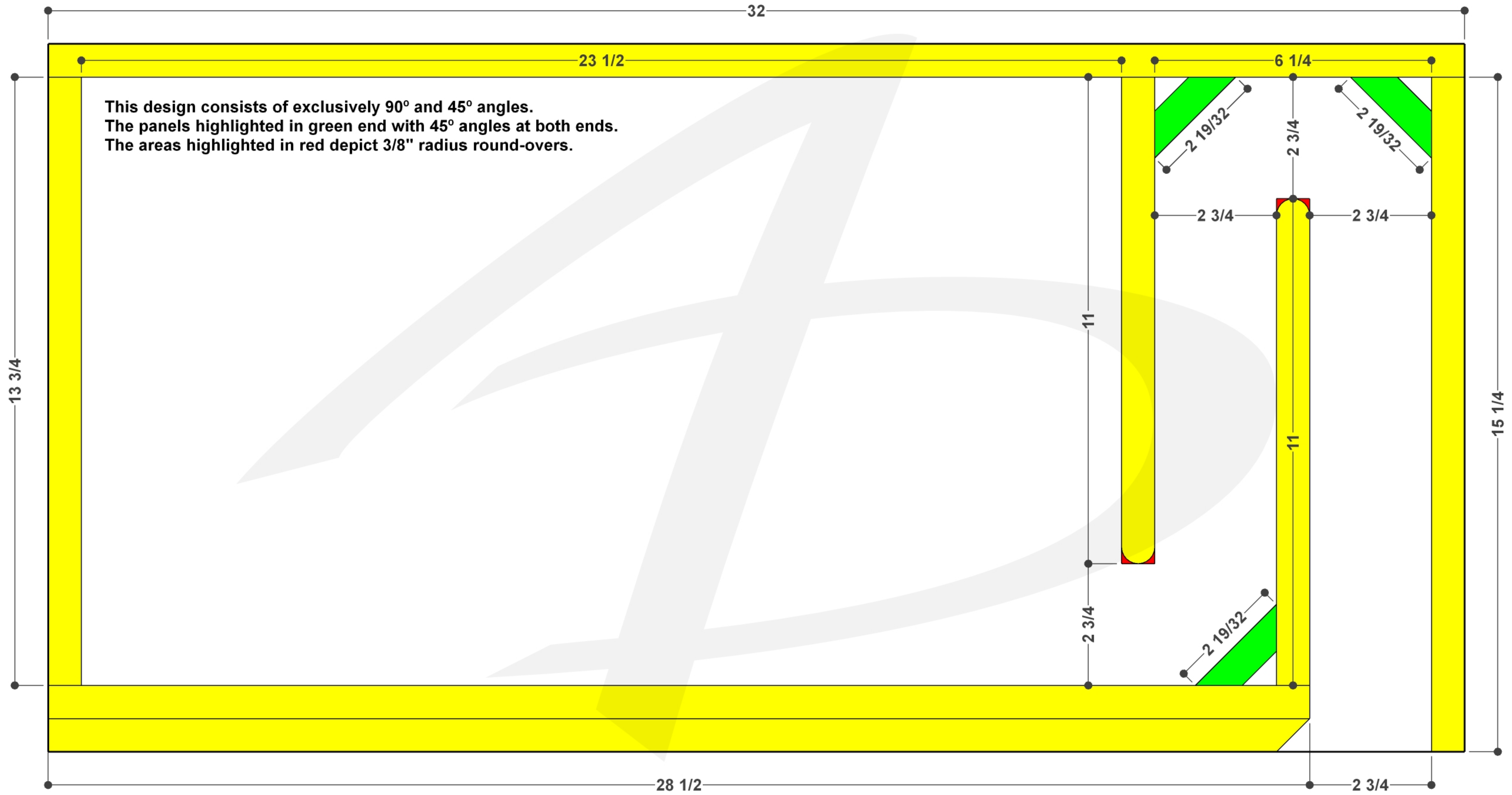
Amplifier Information	
Continuous Power Handling	2,000 W
Subsonic Filter Setting	28 Hz
Low Pass Filter Setting	60 Hz

Subwoofer Information	
Make	Audio Dynamics
Model	AD6015 D1
Quantity	1

Performance Information	
SQ	<input checked="" type="checkbox"/> Within the Vehicle
<input checked="" type="checkbox"/> SQL	Outside the Vehicle
SPL	Metering Position

Metering Information		
Headrest	Peak Frequency	Hz
Dash / Windshield		
Foot Well		





This design consists of exclusively 90° and 45° angles.  
 The panels highlighted in green end with 45° angles at both ends.  
 The areas highlighted in red depict 3/8" radius round-overs.

32

23 1/2

6 1/4

13 3/4

11

11

15 1/4

2 3/4

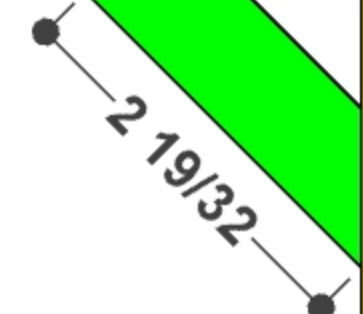
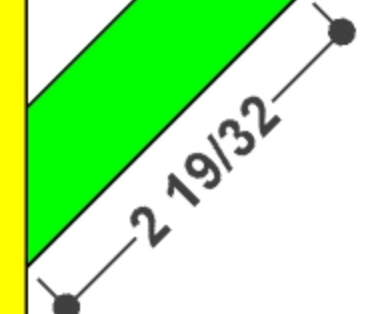
2 3/4

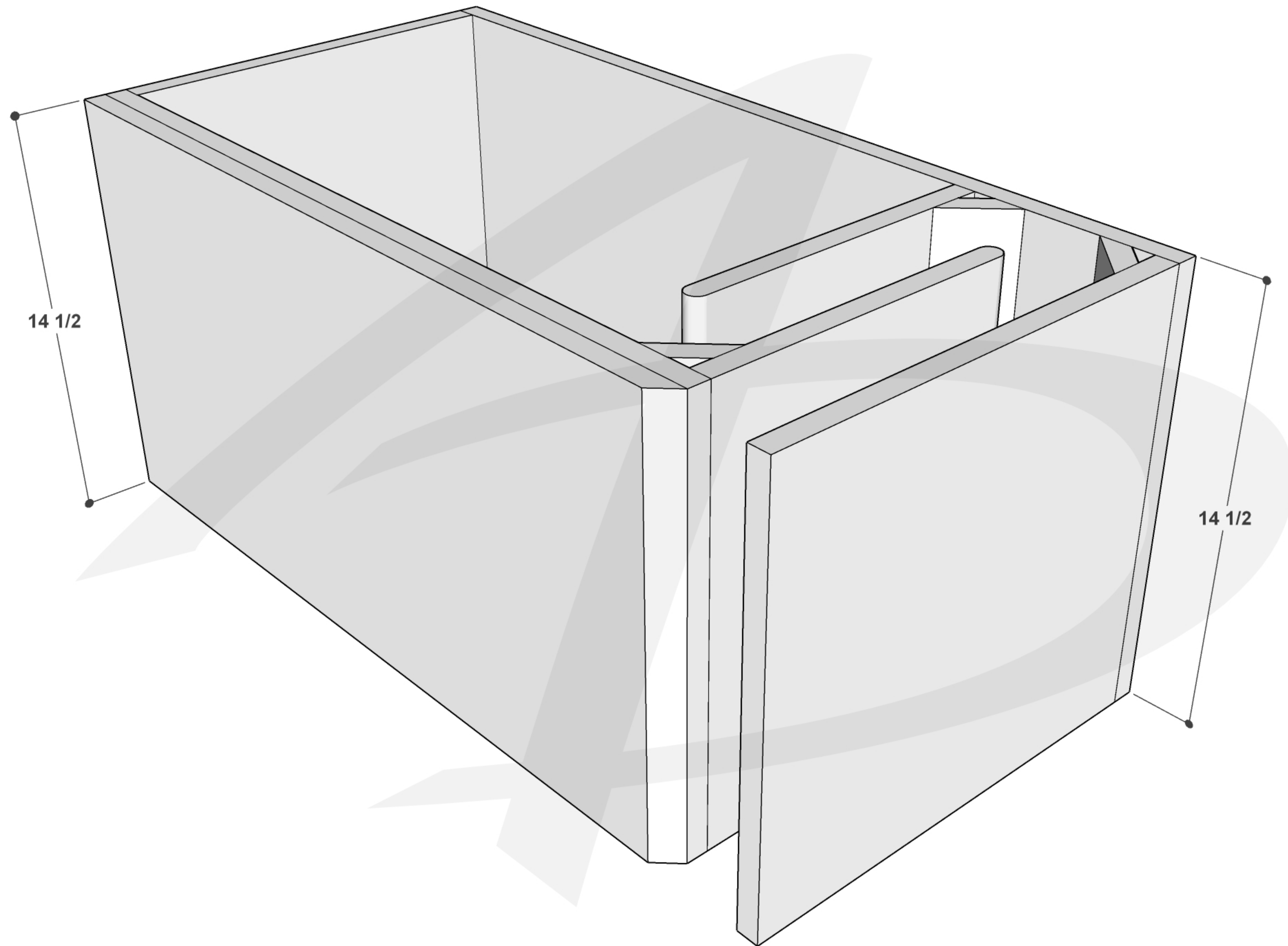
2 3/4

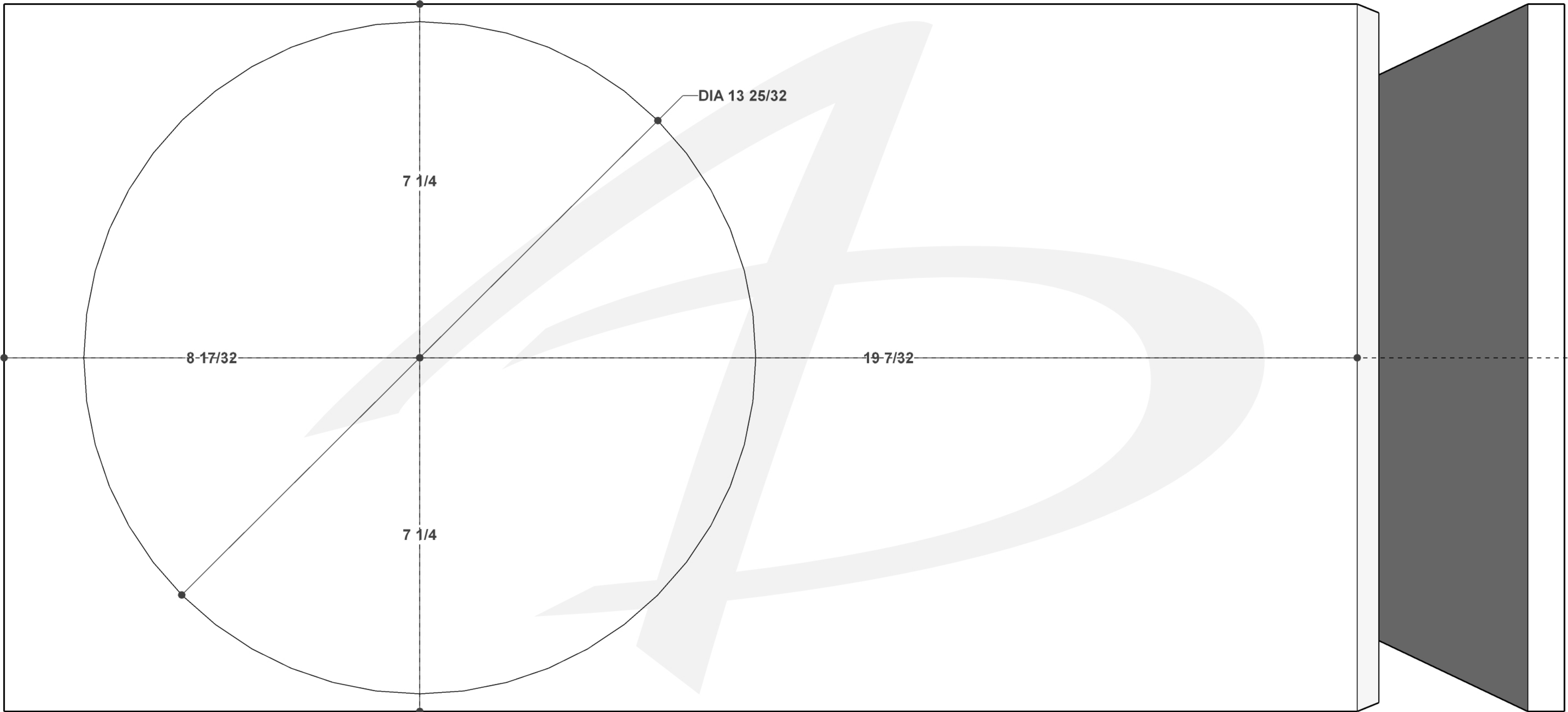
11

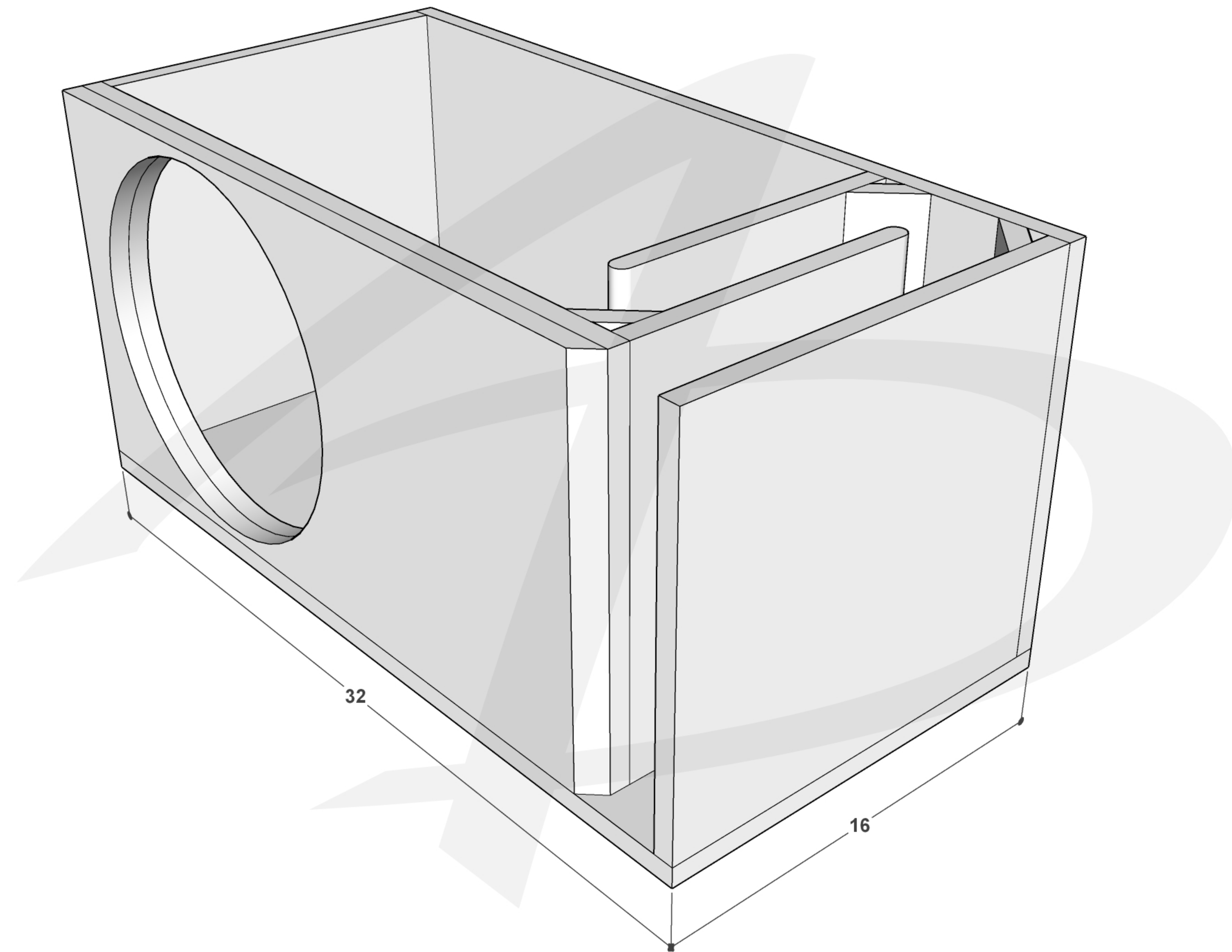
28 1/2

2 3/4









32

16

