



AUDIO DYNAMICS

Vehicle Information	
Year	2004
Make	Chevy
Model	Blazer

Enclosure Information	
Design Type	Bass-Reflex
Placement	Cargo area
Orientation	Position the enclosure with the subs directed upward, vents directed rearward.

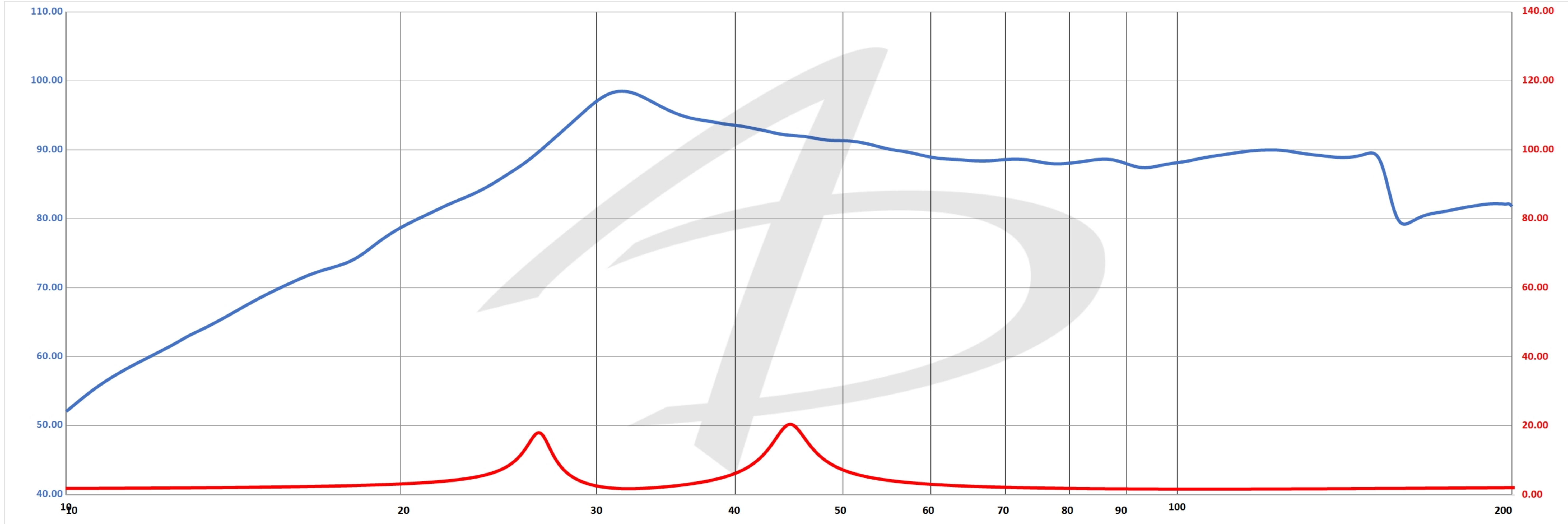
Special Notes

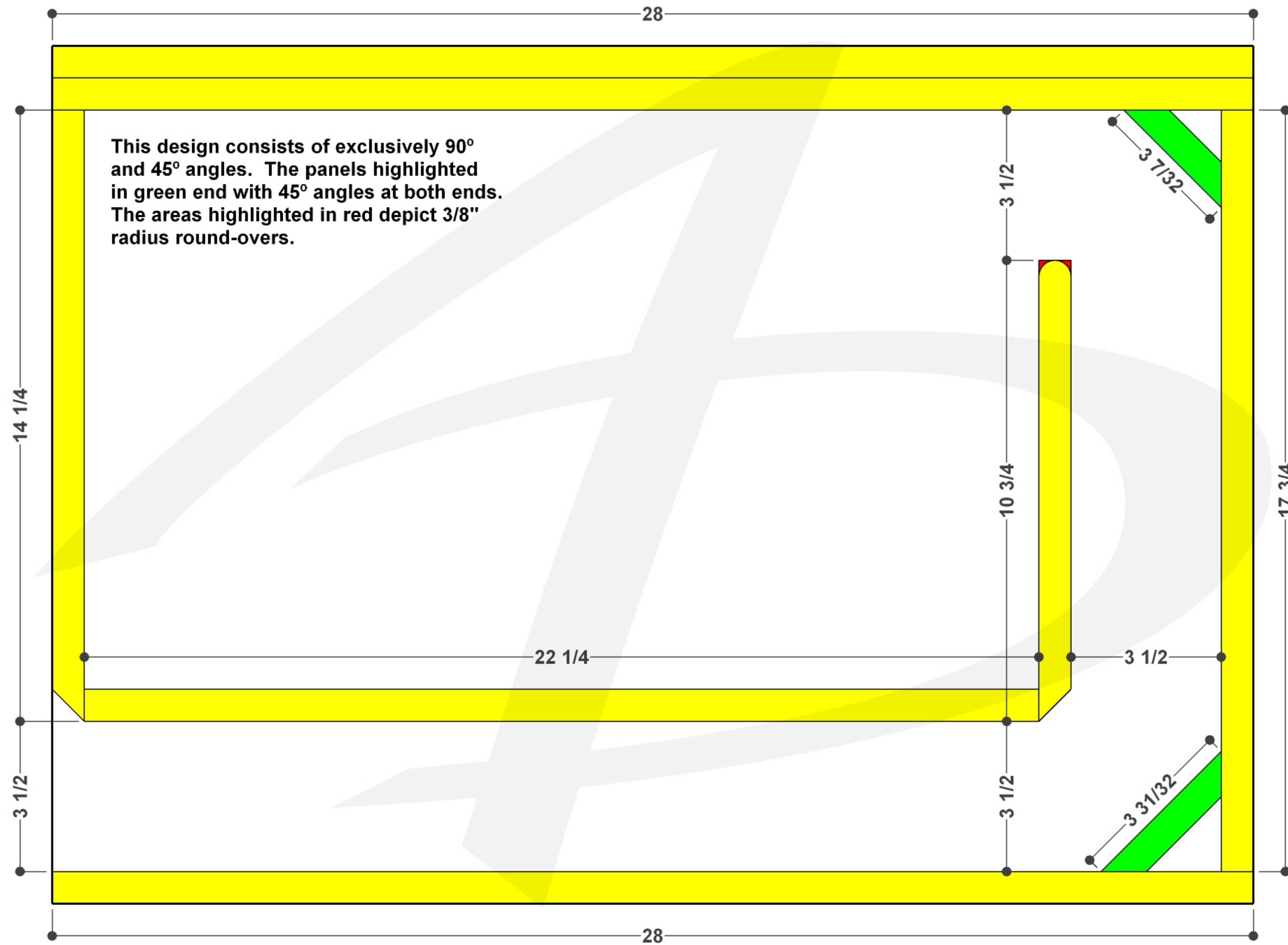
Amplifier Information	
Continuous Power Handling	4,000 W
Subsonic Filter Setting	28 Hz
Low Pass Filter Setting	60 Hz

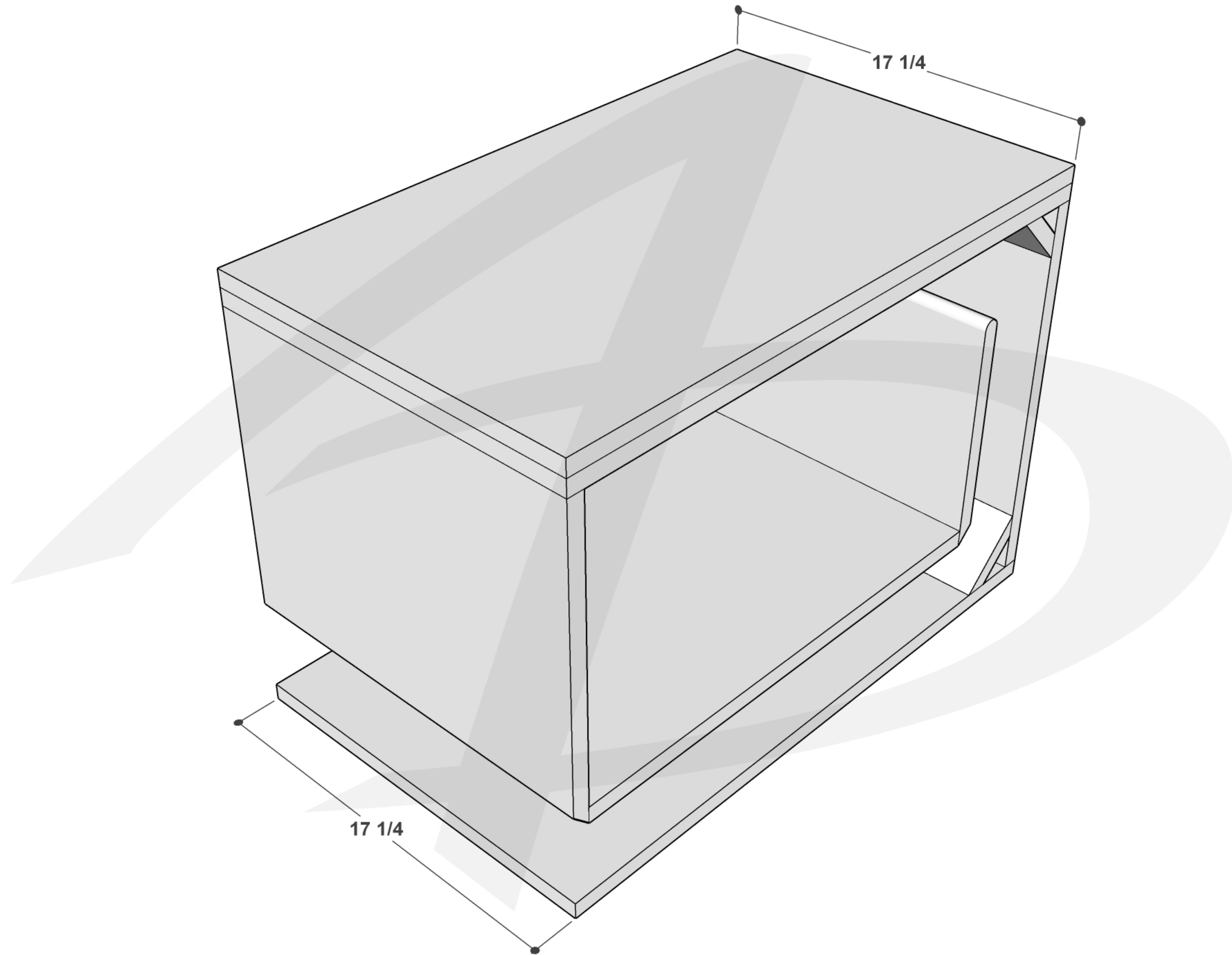
Subwoofer Information	
Make	Audio Dynamics
Model	AD6015 D1
Quantity	2

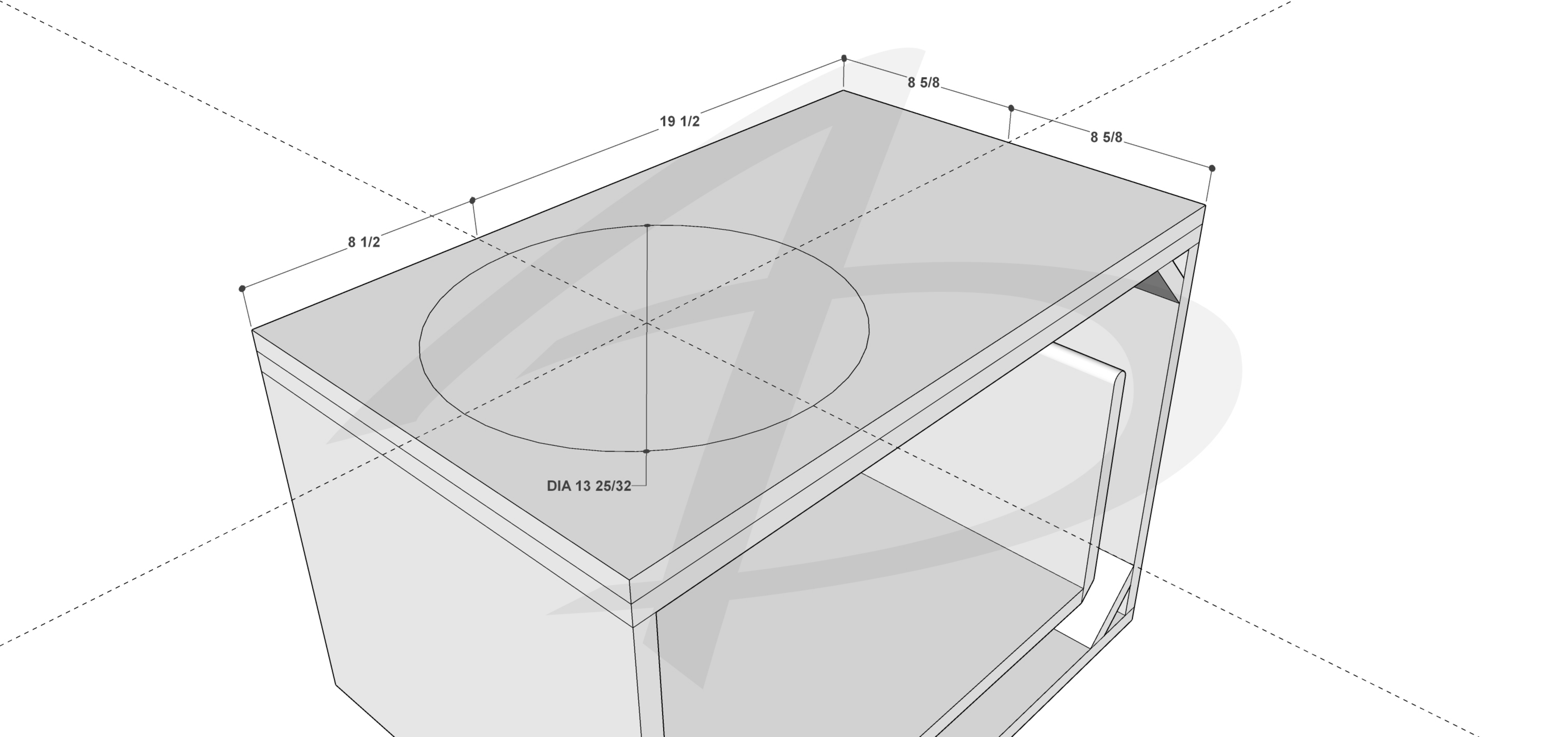
Performance Information	
SQ	<input checked="" type="checkbox"/> Within the Vehicle
<input checked="" type="checkbox"/> SQL	Outside the Vehicle
SPL	Metering Position

Metering Information		
Headrest	Peak Frequency	Hz
Dash / Windshield		
Foot Well		









$8 \frac{1}{2}$

$19 \frac{1}{2}$

$8 \frac{5}{8}$

$8 \frac{5}{8}$

$\text{DIA } 13 \frac{25}{32}$

