

Vehicle Information	
Year	2010
Make	Audi
Model	A5

Enclosure Information	
Design Type	Bass-Reflex
Placement	Trunk
Orientation	Position the enclosure with the subs directed rearward, vent directed toward the driver side.



AUDIO DYNAMICS

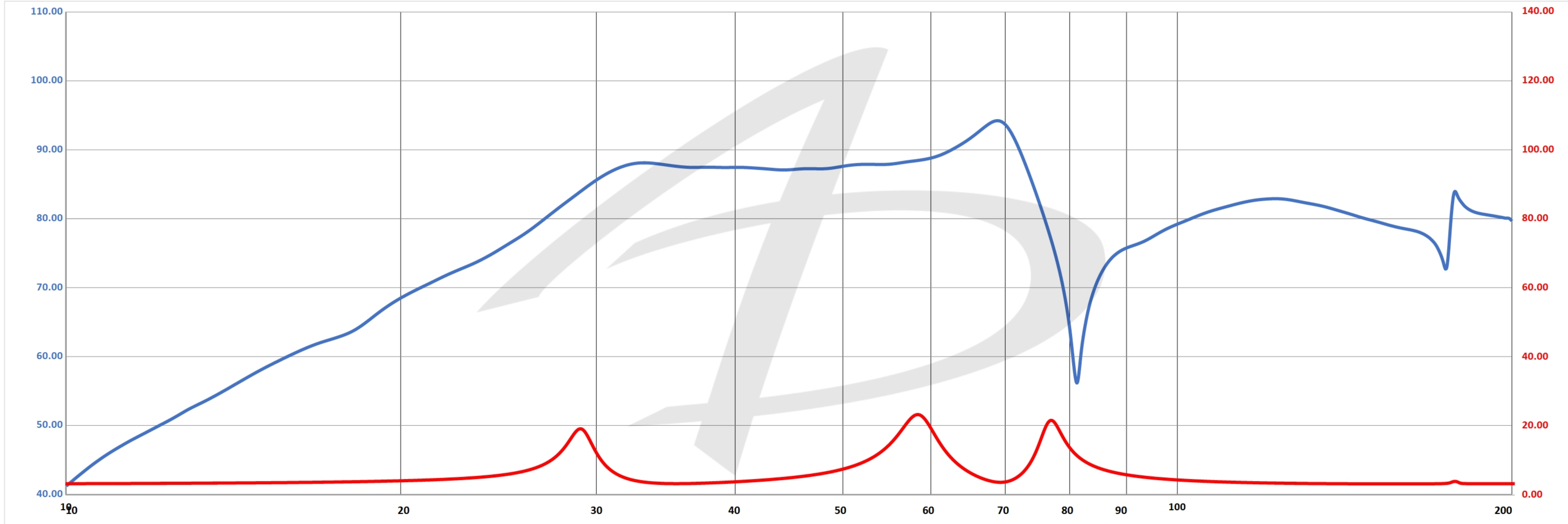
Special Notes

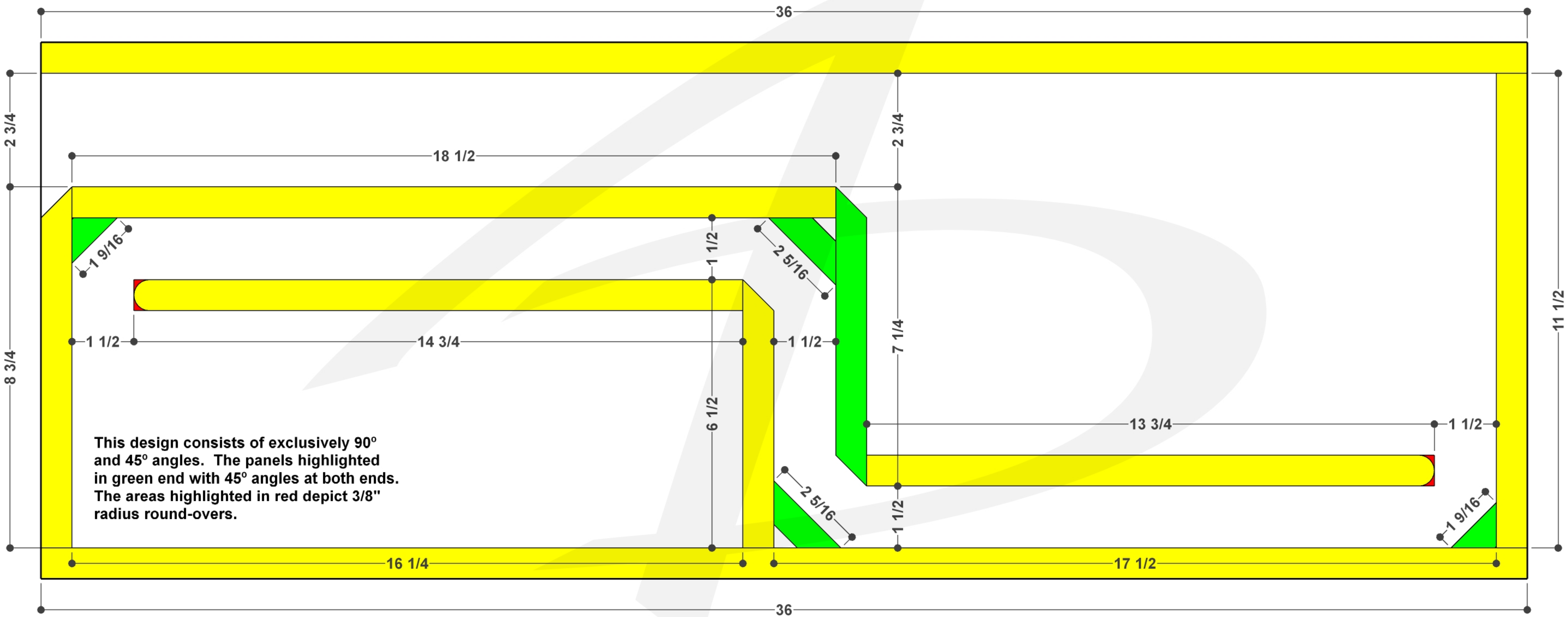
Amplifier Information	
Continuous Power Handling	1,200 W
Subsonic Filter Setting	30 Hz
Low Pass Filter Setting	65 Hz

Subwoofer Information	
Make	Audio Dynamics
Model	AD3008 D4
Quantity	2

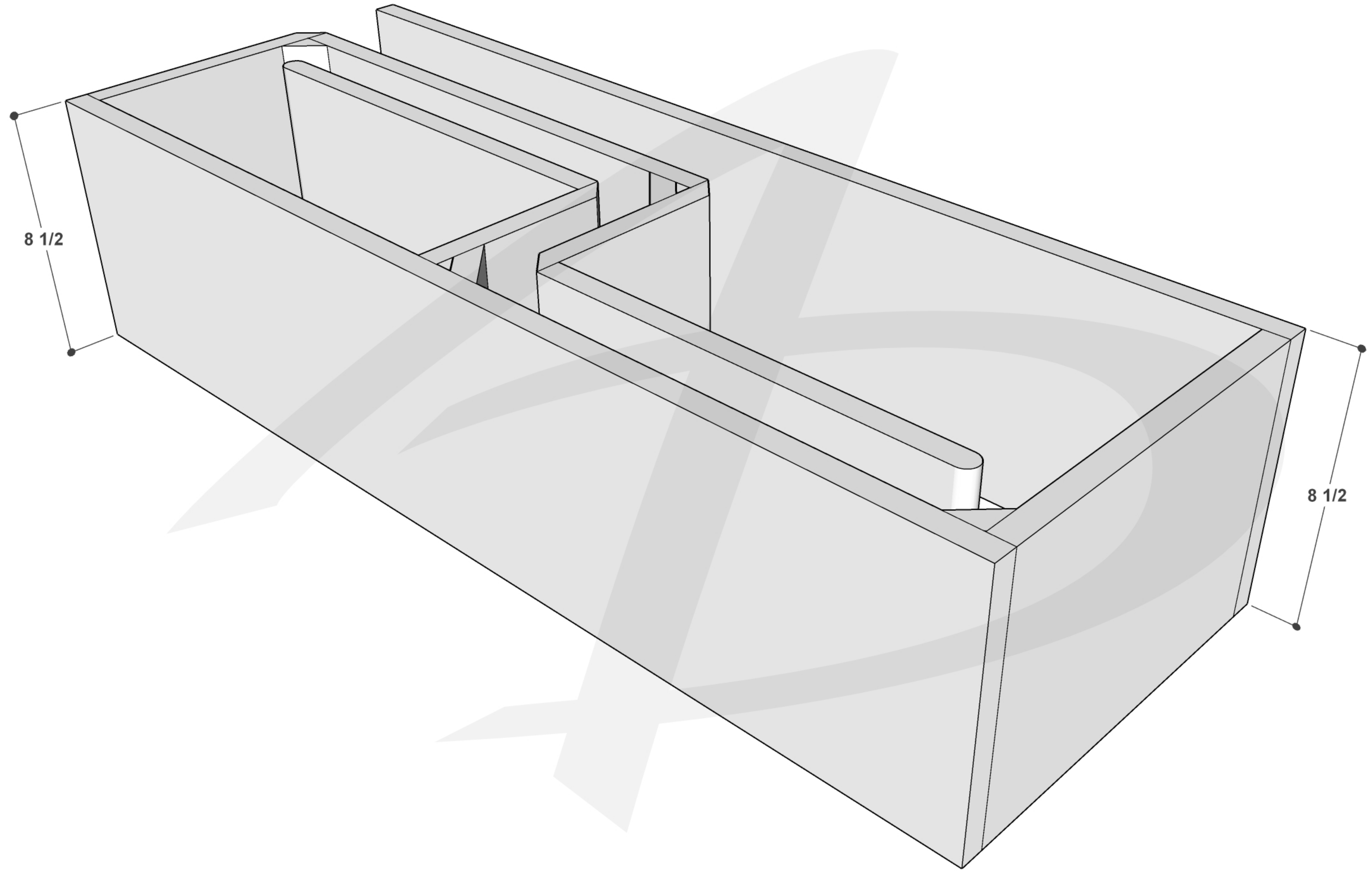
Performance Information	
SQ	<input checked="" type="checkbox"/> Within the Vehicle
<input checked="" type="checkbox"/> SQL	Outside the Vehicle
SPL	Metering Position

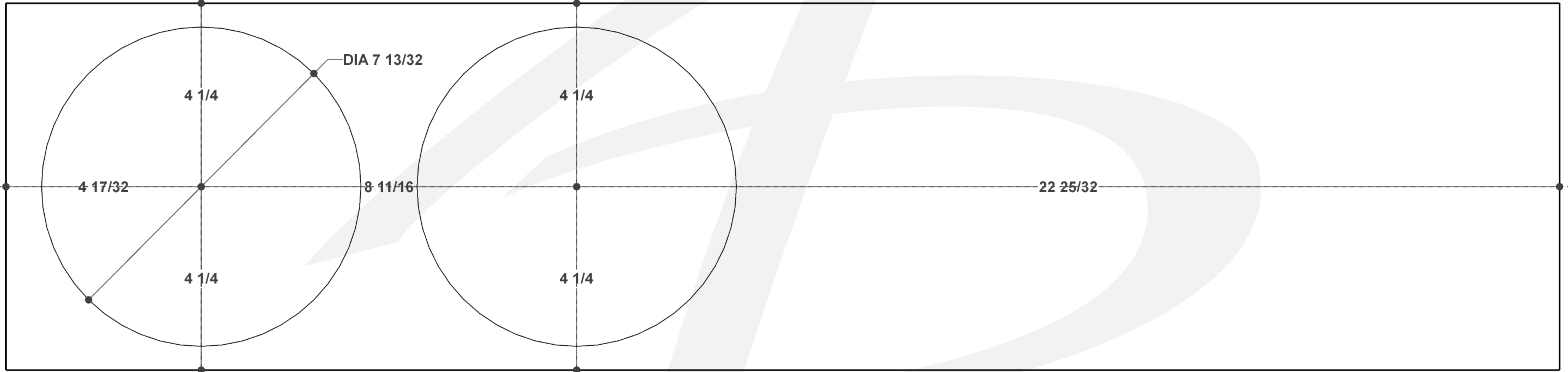
Metering Information		
Headrest	Peak Frequency	Hz
Dash / Windshield		
Foot Well		





This design consists of exclusively 90° and 45° angles. The panels highlighted in green end with 45° angles at both ends. The areas highlighted in red depict 3/8" radius round-overs.





$4 \frac{17}{32}$

$4 \frac{1}{4}$

DIA $7 \frac{13}{32}$

$8 \frac{11}{16}$

$4 \frac{1}{4}$

$4 \frac{1}{4}$

$22 \frac{25}{32}$

