

Vehicle Information	
Year	Unspecified
Make	Unspecified
Model	Unspecified

Enclosure Information	
Design Type	Sealed
Placement	Trunk
Orientation	Position the enclosure with the subs directed rearward.



AUDIO DYNAMICS

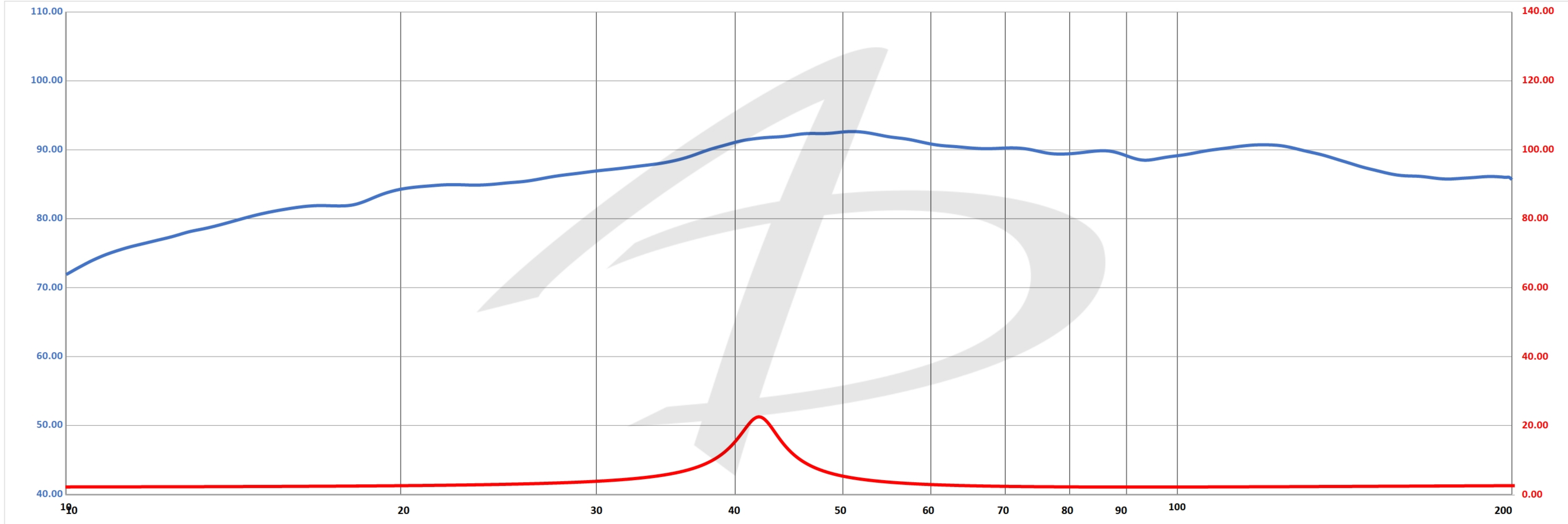
Special Notes

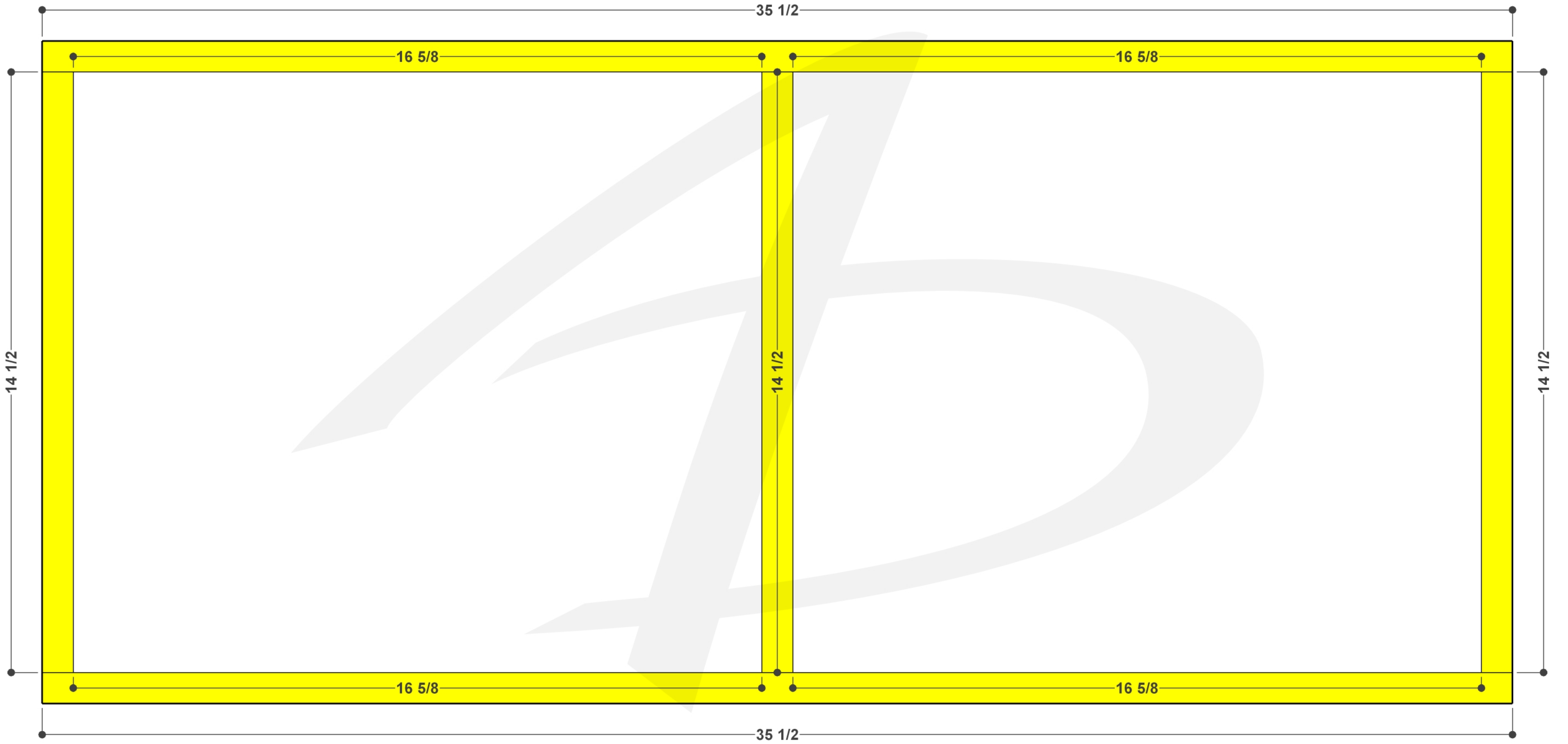
Amplifier Information	
Continuous Power Handling	3,000 W
Subsonic Filter Setting	36 Hz
Low Pass Filter Setting	80 Hz

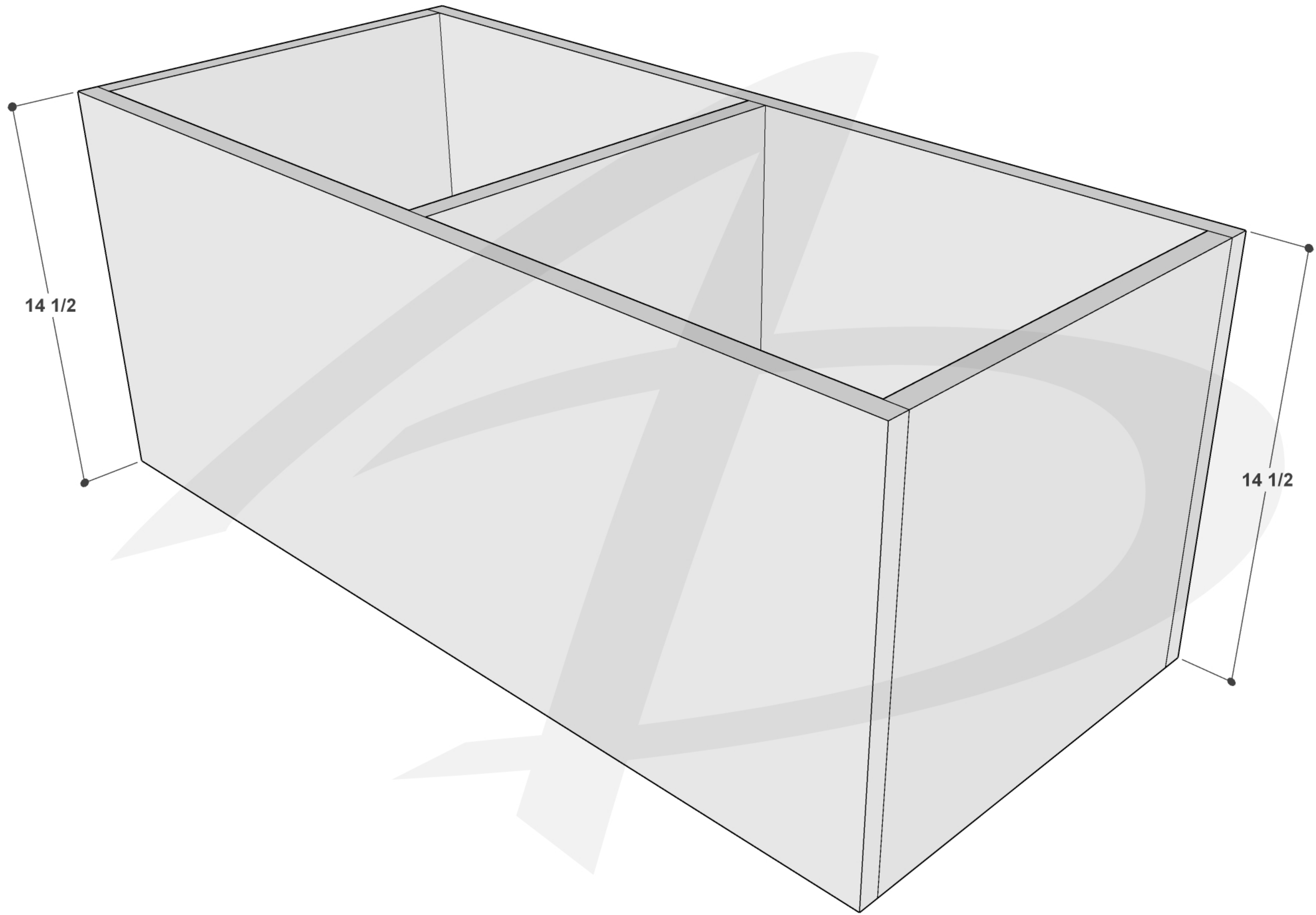
Subwoofer Information	
Make	Audio Dynamics
Model	AD 5015 D2
Quantity	2

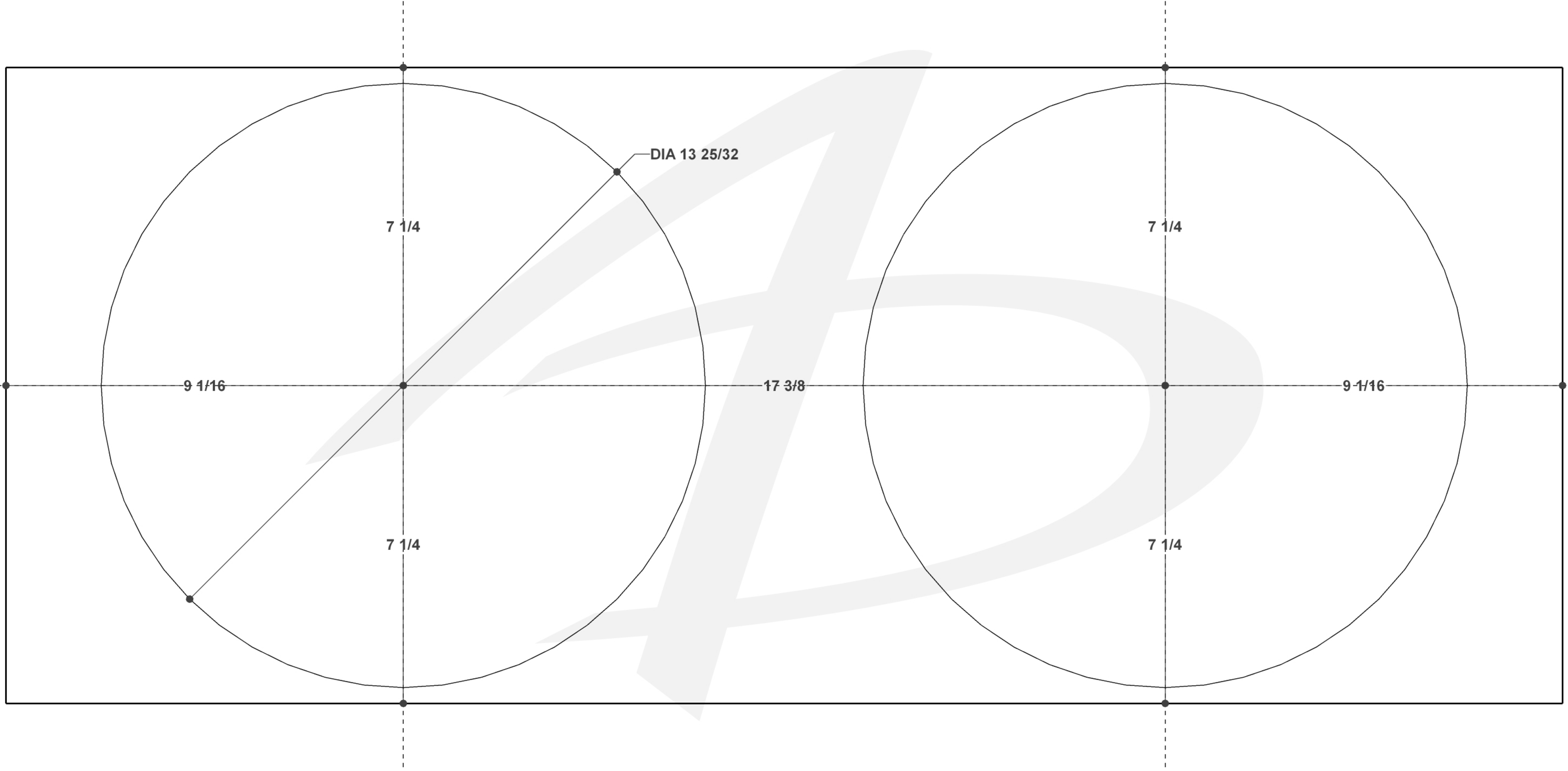
Performance Information	
SQ	<input checked="" type="checkbox"/> Within the Vehicle
<input checked="" type="checkbox"/> SQL	Outside the Vehicle
SPL	Metering Position

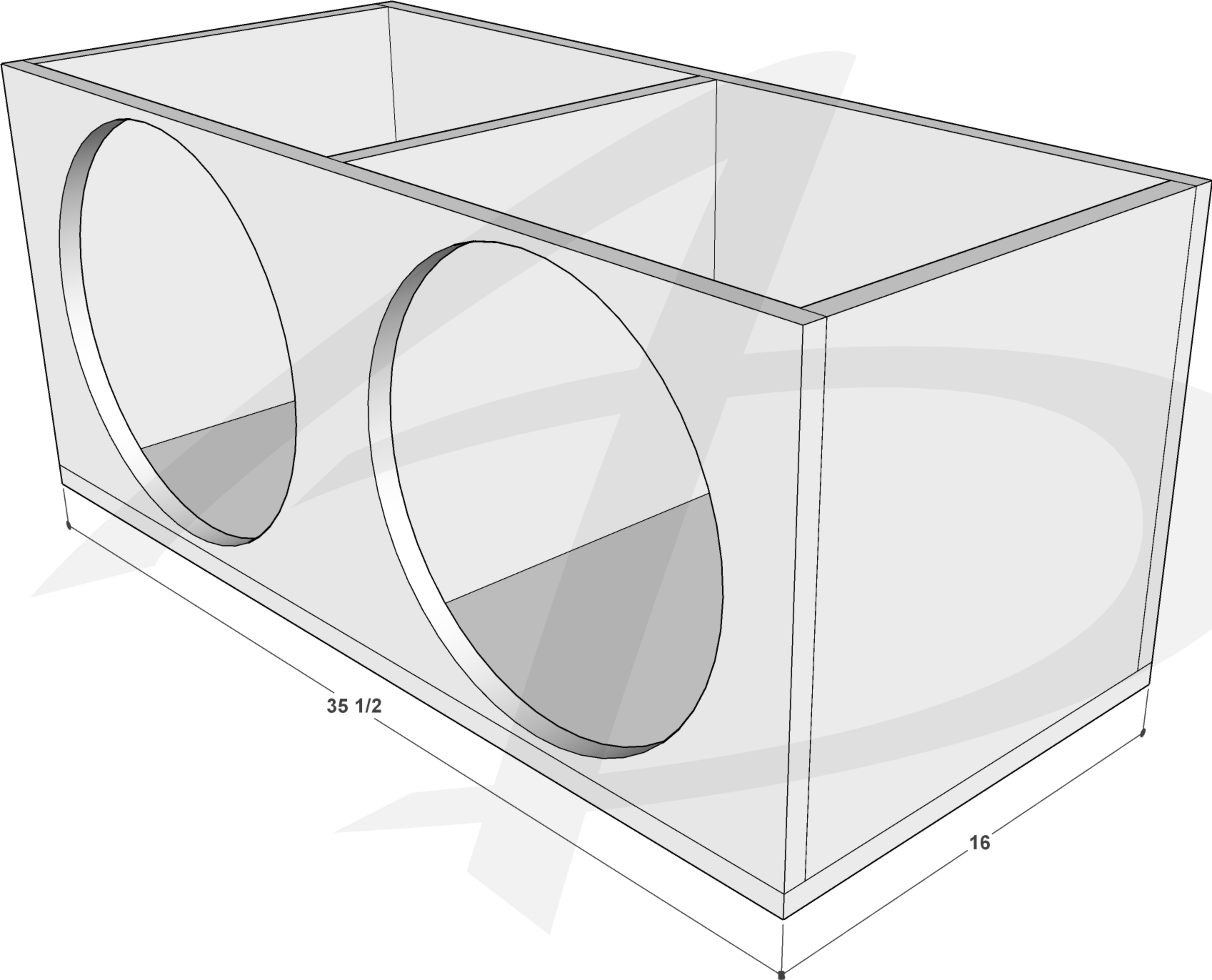
Metering Information		
Headrest	Peak Frequency	Hz
Dash / Windshield		
Foot Well		











35 1/2

16

