

Vehicle Information	
Year	2022
Make	Ford
Model	Bronco

Enclosure Information	
Design Type	Bass-Reflex
Placement	Cargo area
Orientation	Position the enclosure with the subs directed down, vent along the passenger side.



**AUDIO DYNAMICS**

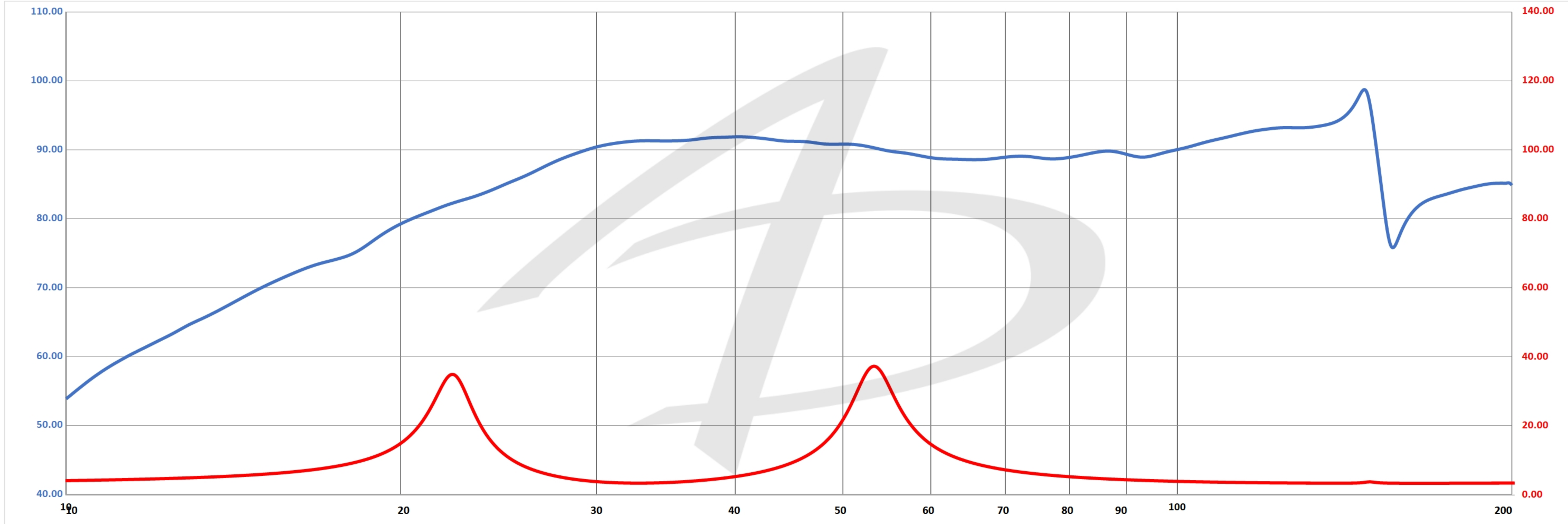
Special Notes	

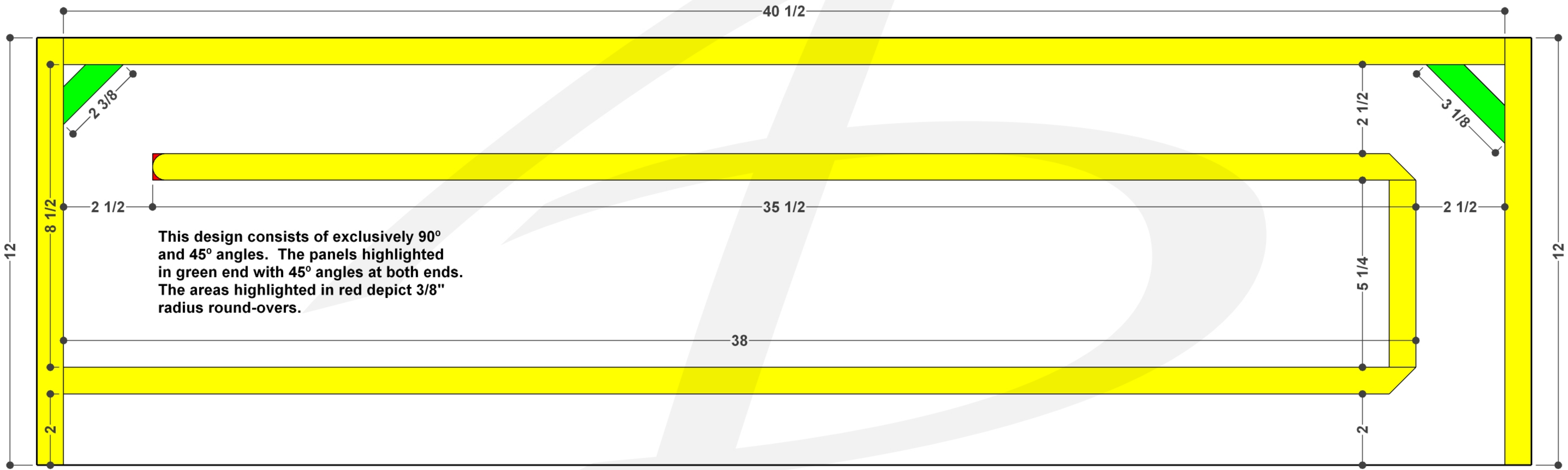
Amplifier Information	
Continuous Power Handling	1,200 W
Subsonic Filter Setting	30 Hz
Low Pass Filter Setting	60 Hz

Subwoofer Information	
Make	Audio Dynamics
Model	AD2310 D4
Quantity	2

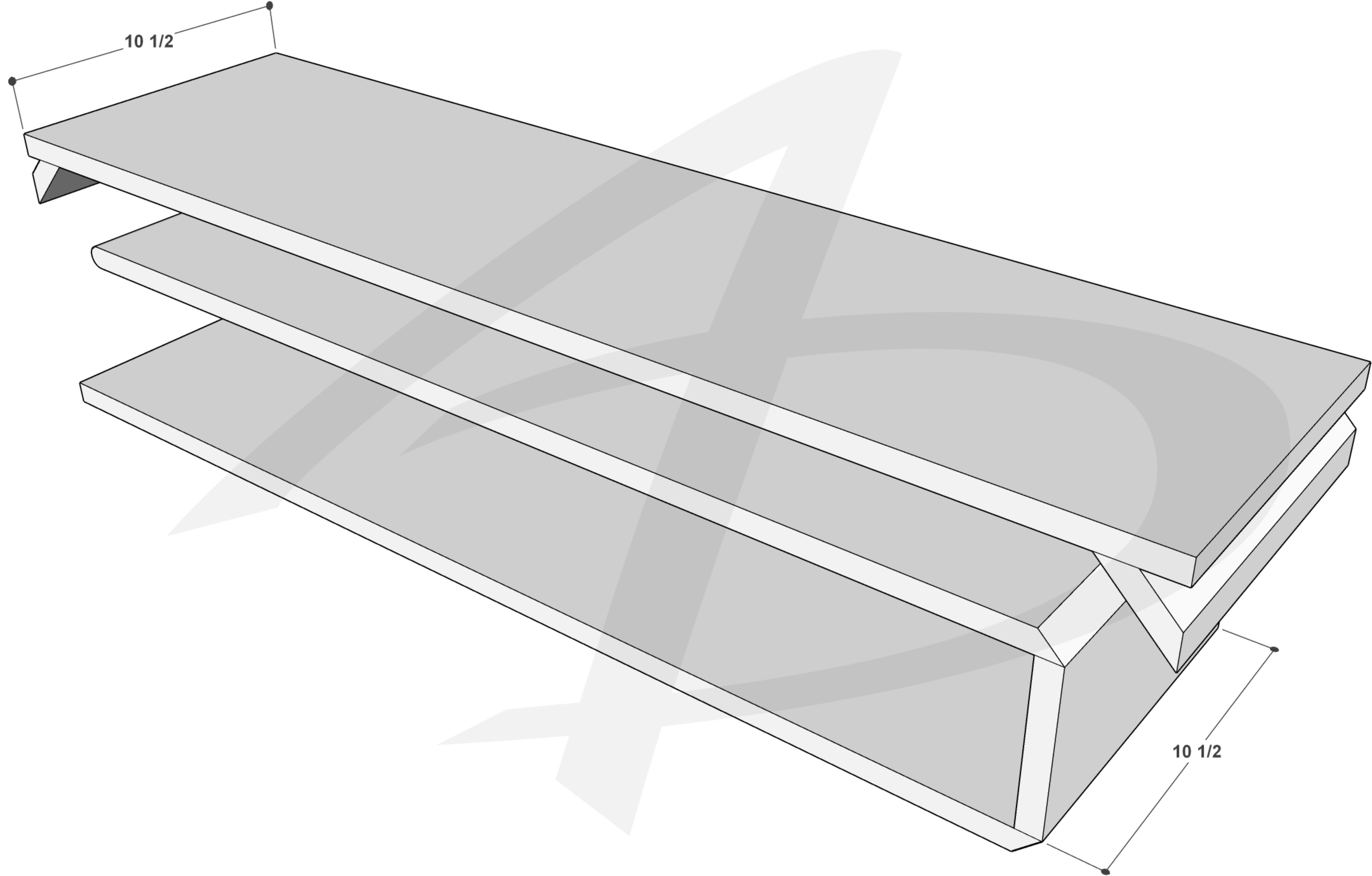
Performance Information	
SQ	<input checked="" type="checkbox"/> Within the Vehicle
<input checked="" type="checkbox"/> SQL	Outside the Vehicle
SPL	Metering Position

Metering Information		
Headrest	Peak Frequency	Hz
Dash / Windshield		
Foot Well		





This design consists of exclusively  $90^\circ$  and  $45^\circ$  angles. The panels highlighted in green end with  $45^\circ$  angles at both ends. The areas highlighted in red depict  $3/8$ " radius round-overs.



10 1/2

10 1/2

