

Vehicle Information	
Year	Unspecified
Make	Unspecified
Model	Unspecified

Enclosure Information	
Design Type	Bass-Reflex
Placement	Cargo area
Orientation	Position the enclosure with the sub directed rearward along the passenger side.



AUDIO DYNAMICS

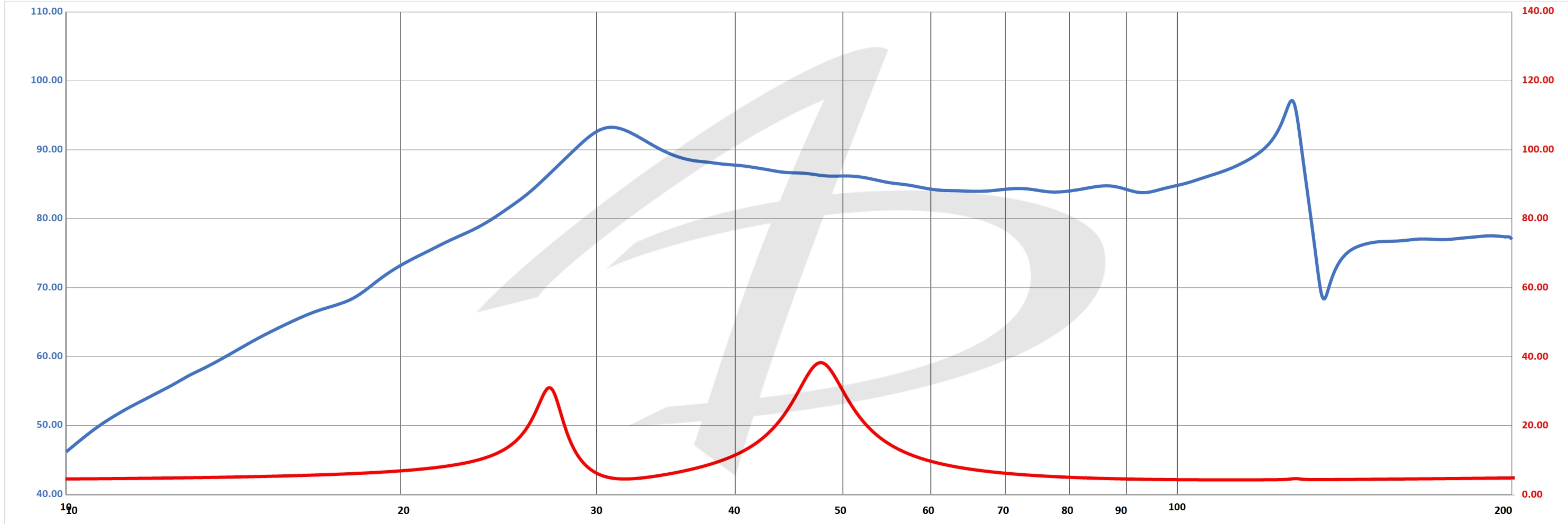
Special Notes

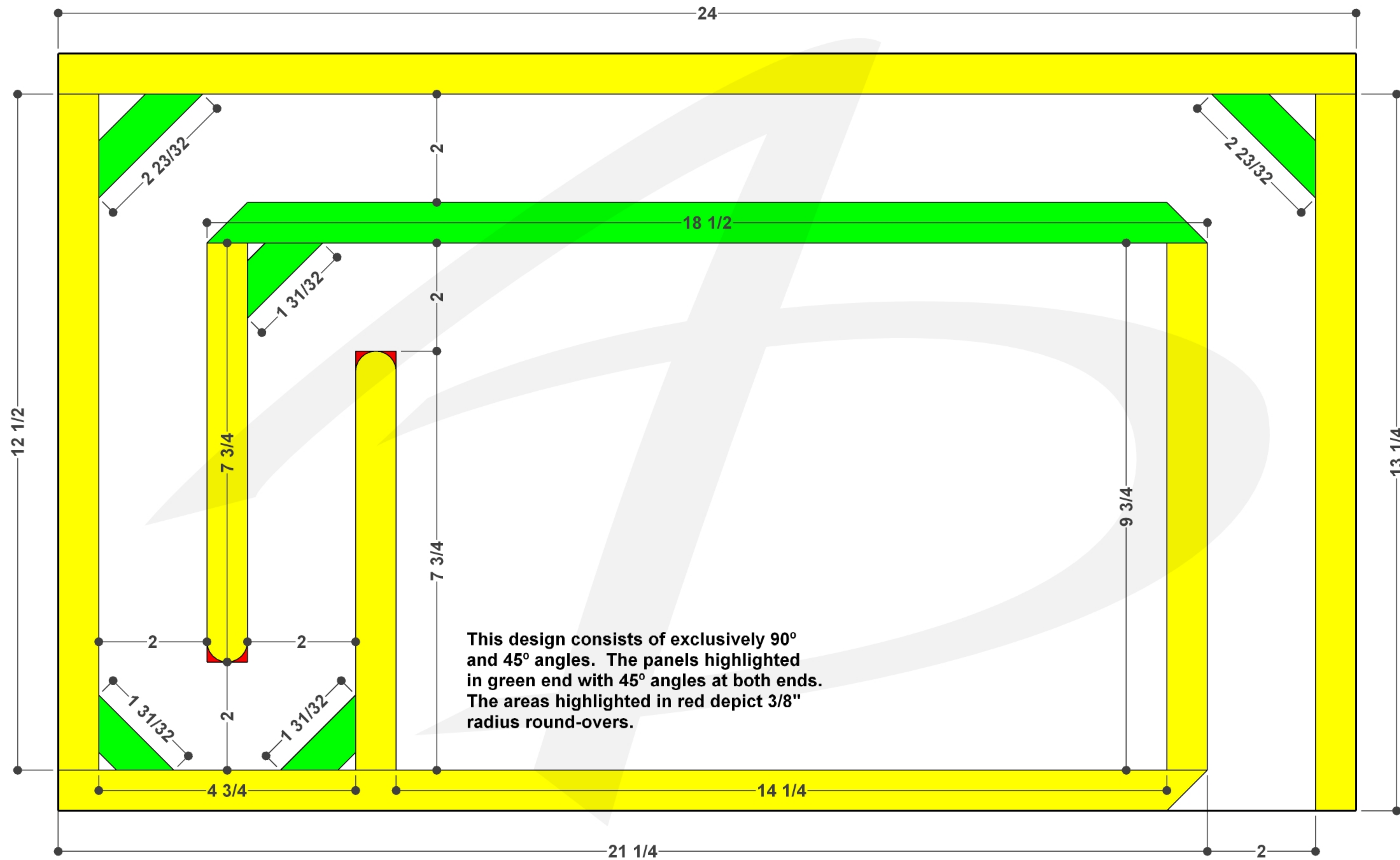
Amplifier Information	
Continuous Power Handling	1,500 W
Subsonic Filter Setting	28 Hz
Low Pass Filter Setting	55 Hz

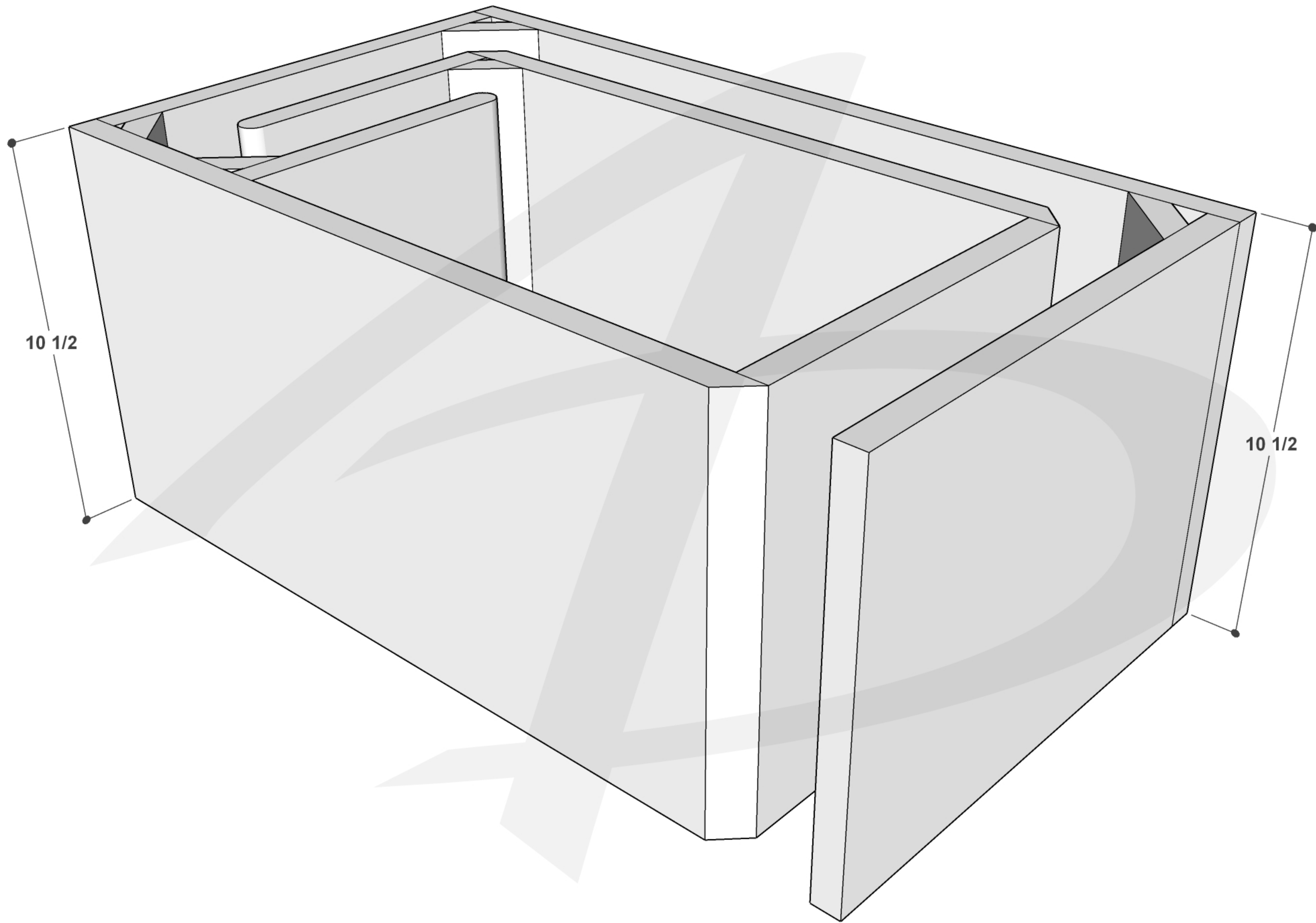
Subwoofer Information	
Make	Audio Dynamics
Model	AD5010 D2
Quantity	1

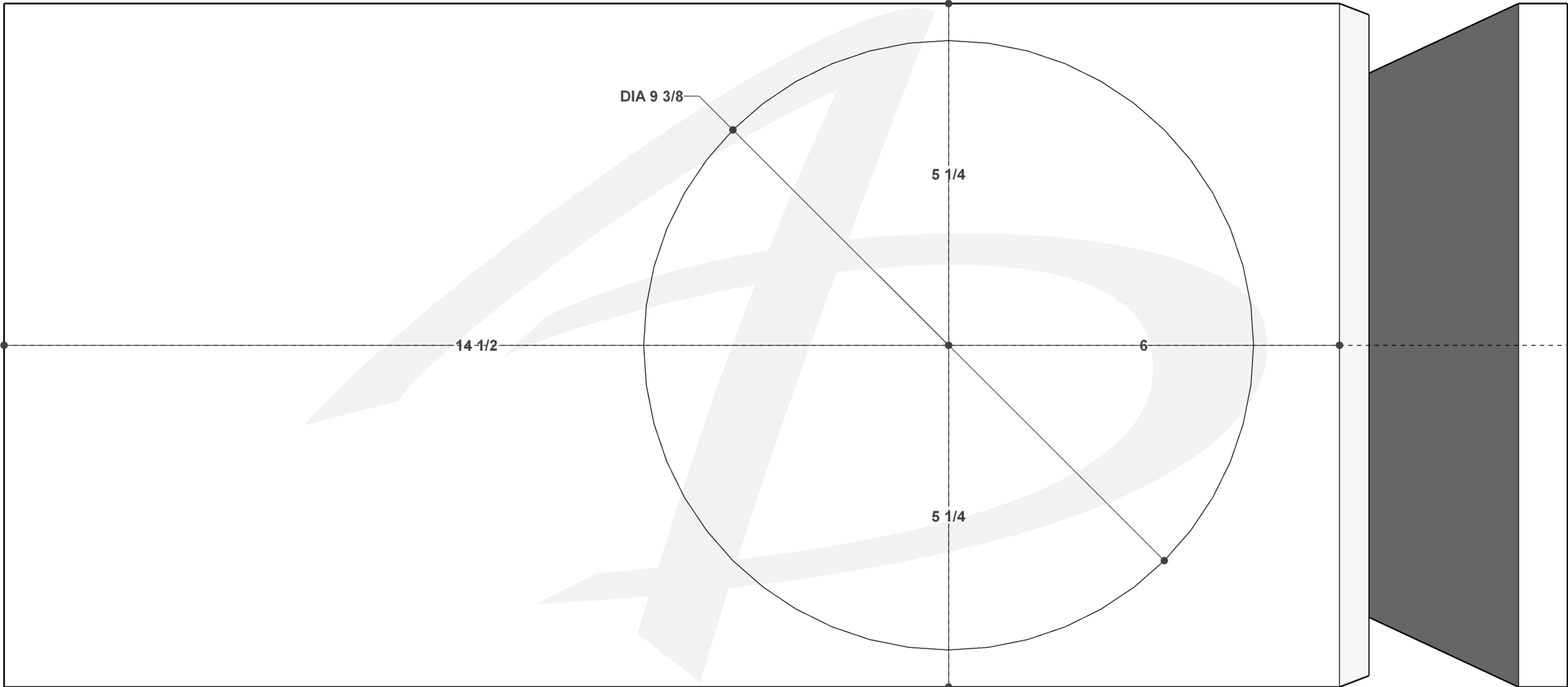
Performance Information	
SQ	<input checked="" type="checkbox"/> Within the Vehicle
<input checked="" type="checkbox"/> SQL	Outside the Vehicle
SPL	Metering Position

Metering Information		
Headrest	Peak Frequency	Hz
Dash / Windshield		
Foot Well		









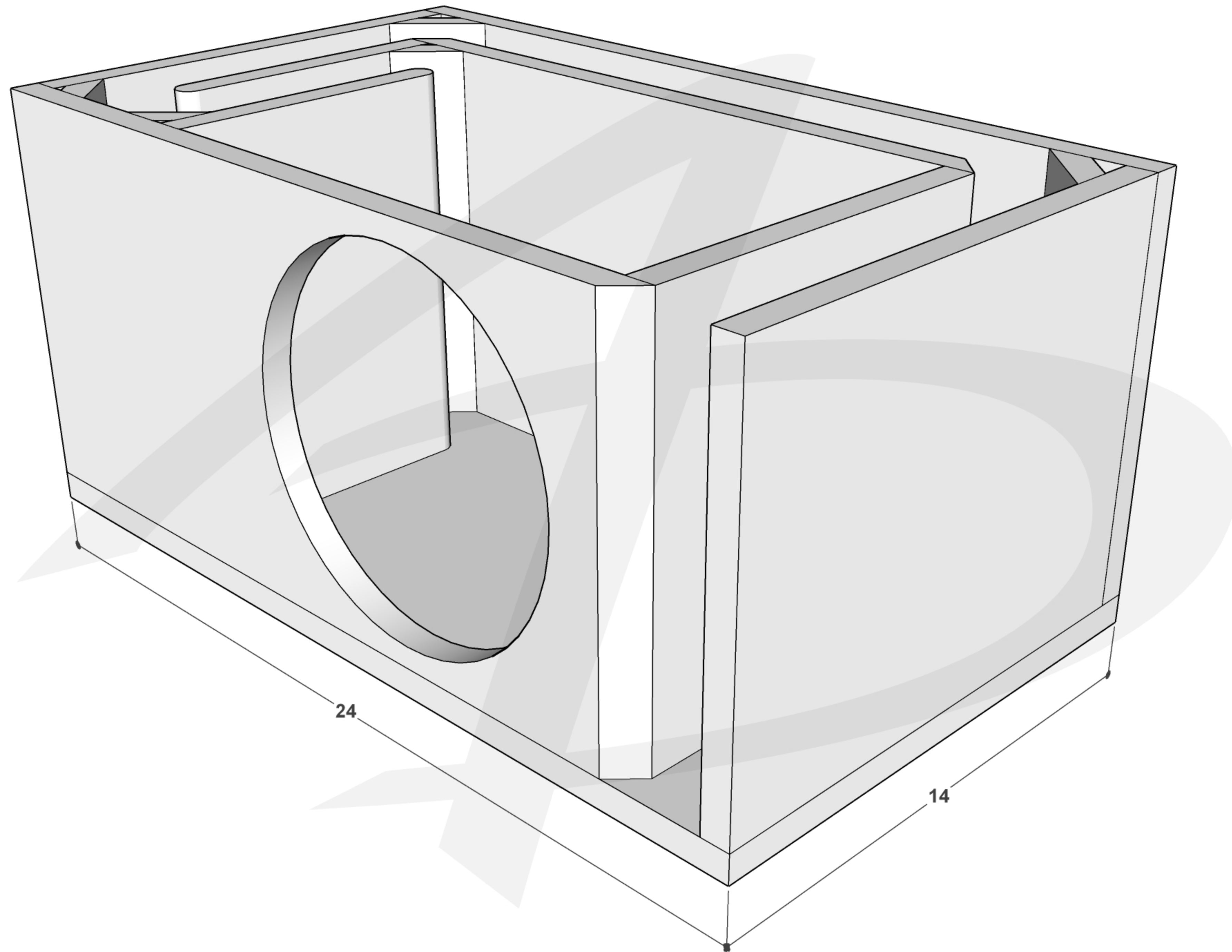
DIA $9 \frac{3}{8}$

$5 \frac{1}{4}$

$14 \frac{1}{2}$

6

$5 \frac{1}{4}$



24

14

