

Vehicle Information	
Year	2013
Make	GMC
Model	Sierra 1500

Enclosure Information	
Design Type	Bass-Reflex
Placement	Under Seatp
Orientation	Position the enclosure with the subs directed forward along the passenger side.



**AUDIO DYNAMICS**

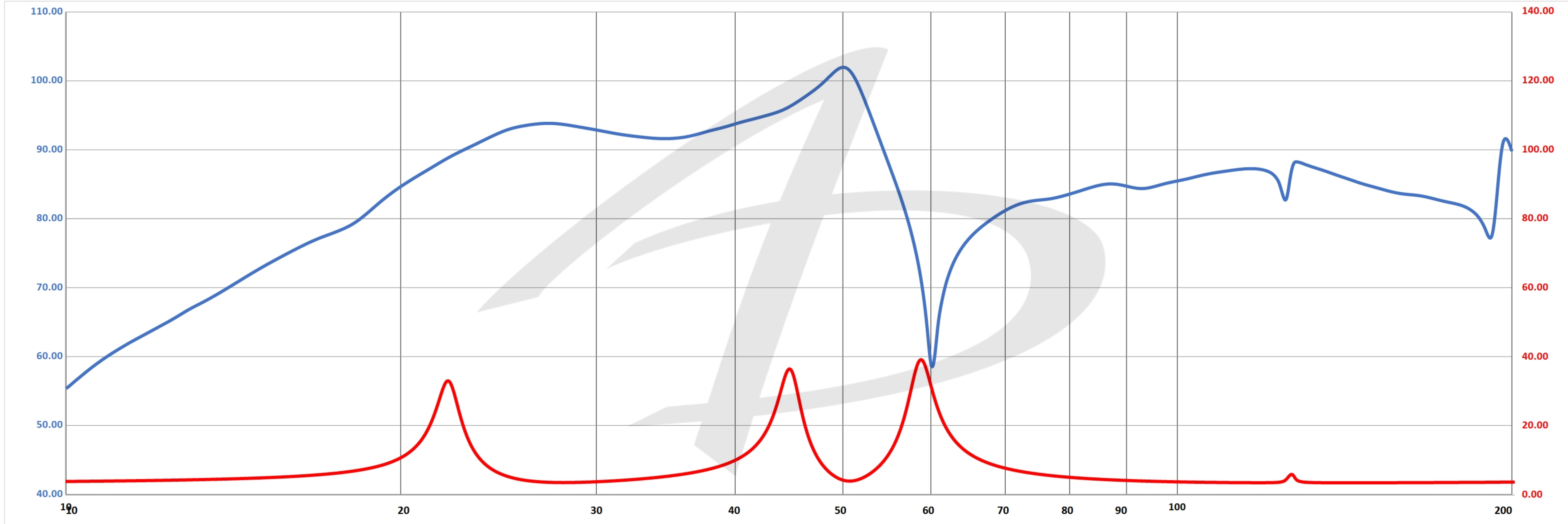
Special Notes

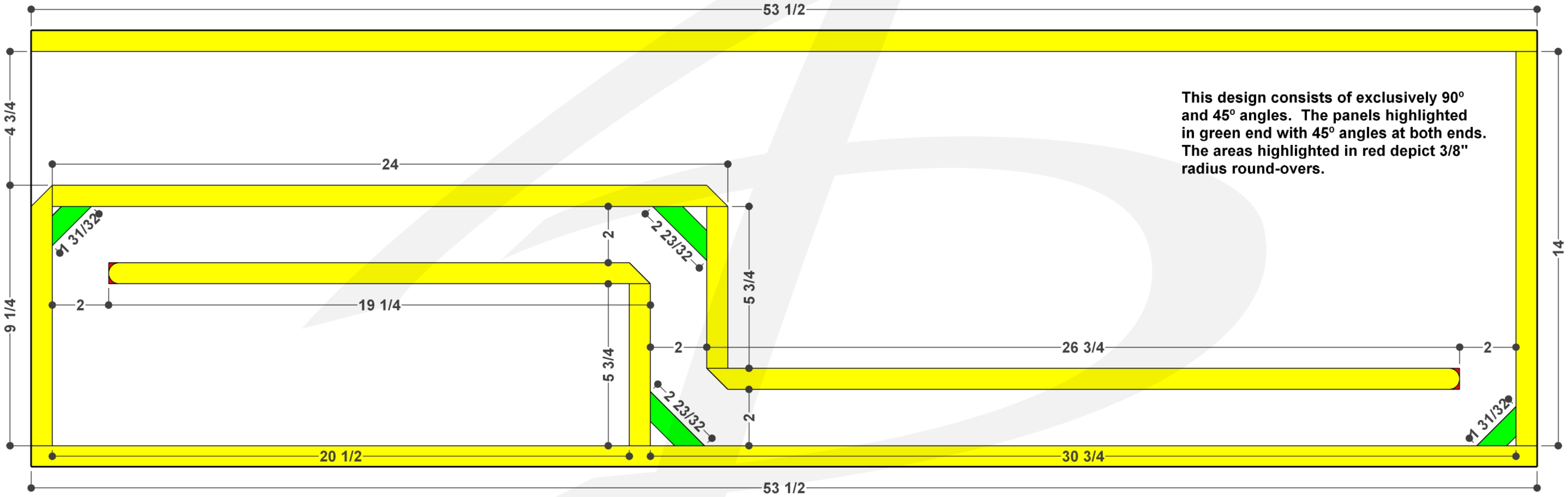
Amplifier Information	
Continuous Power Handling	1,200 W
Subsonic Filter Setting	24 Hz
Low Pass Filter Setting	50 Hz

Subwoofer Information	
Make	Audio Dynamics
Model	AD3010 D4
Quantity	2

Performance Information	
SQ	<input checked="" type="checkbox"/> Within the Vehicle
<input checked="" type="checkbox"/> SQL	Outside the Vehicle
SPL	Metering Position

Metering Information		
Headrest	Peak Frequency	Hz
Dash / Windshield		
Foot Well		





This design consists of exclusively 90° and 45° angles. The panels highlighted in green end with 45° angles at both ends. The areas highlighted in red depict 3/8" radius round-overs.

53 1/2

4 3/4

9 1/4

14

24

20 1/2

19 1/4

26 3/4

30 3/4

53 1/2

2

5 3/4

2

2

2

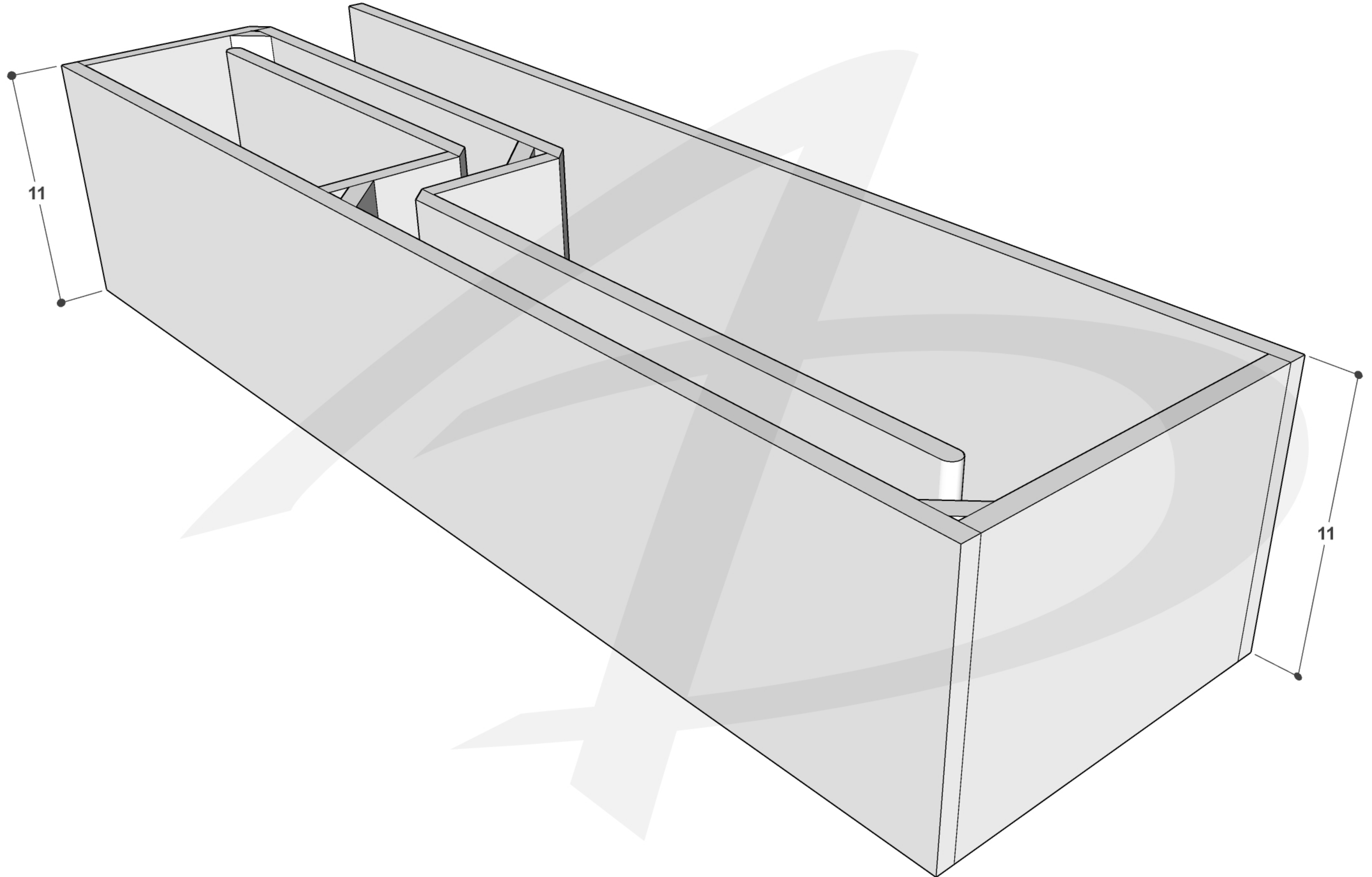
1 31/32

-2 23/32

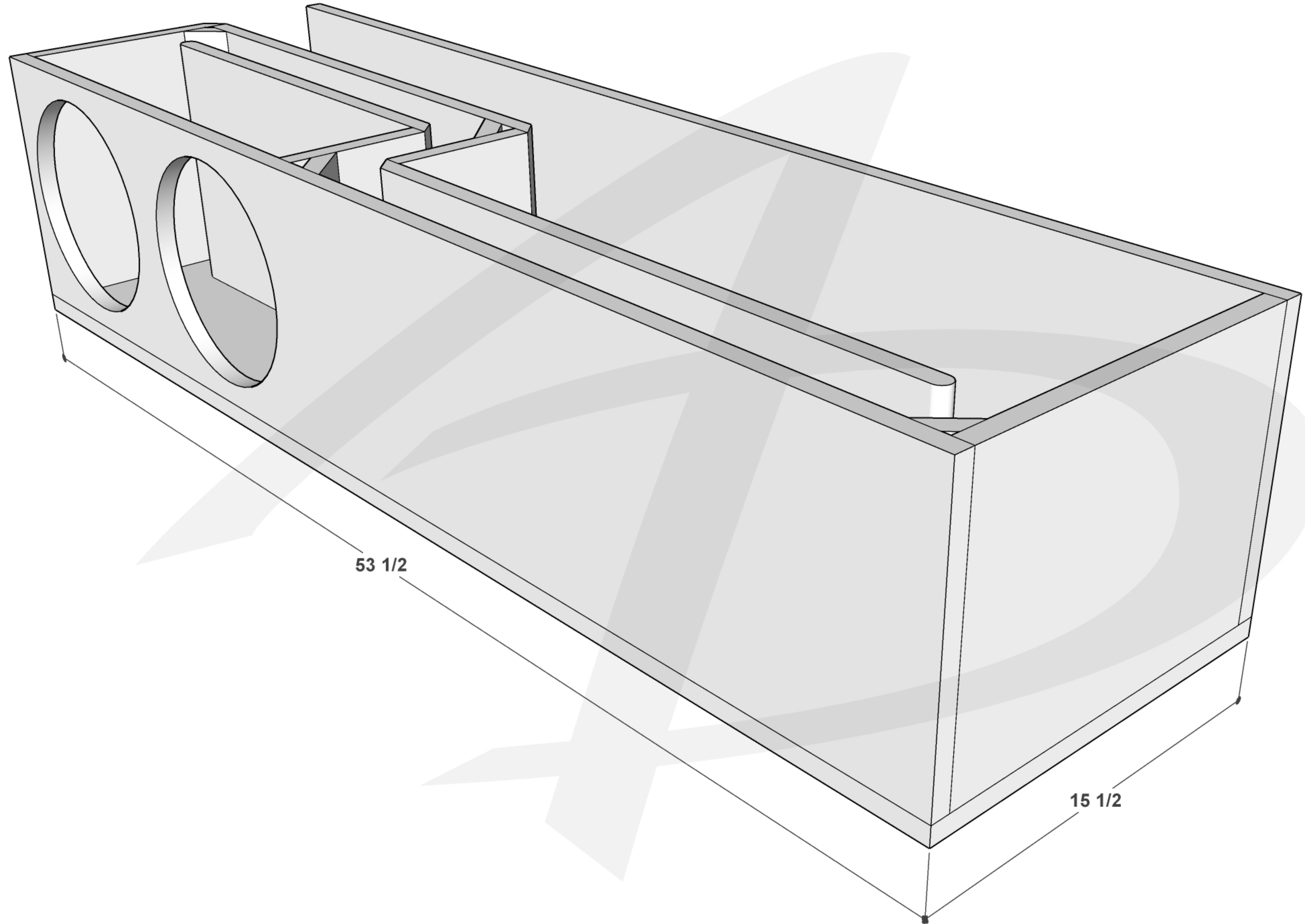
-2 23/32

1 31/32

2







53 1/2

15 1/2

