



AUDIO DYNAMICS

Vehicle Information	
Year	2012
Make	Nissan
Model	Armada

Enclosure Information	
Design Type	6 th Order Series-Tuned Bandpass
Placement	Cargo area
Orientation	Position the enclosure with the vent directed rearward.

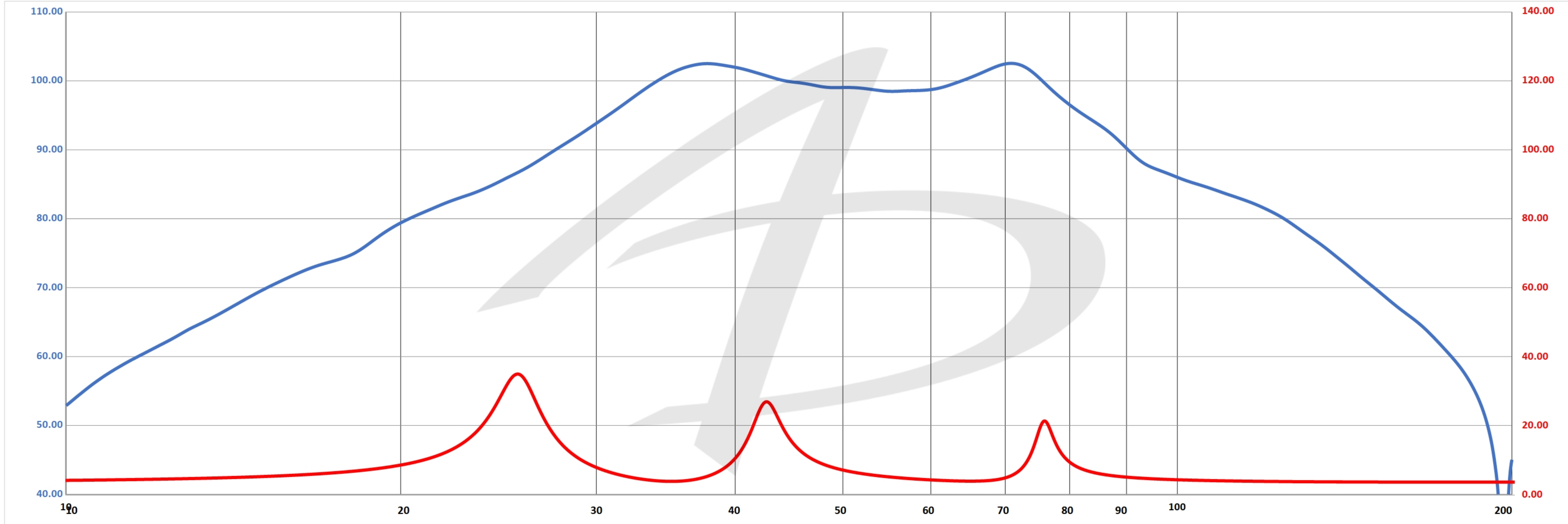
Special Notes
Mount the subs with the motors protruding into the two smaller chambers.

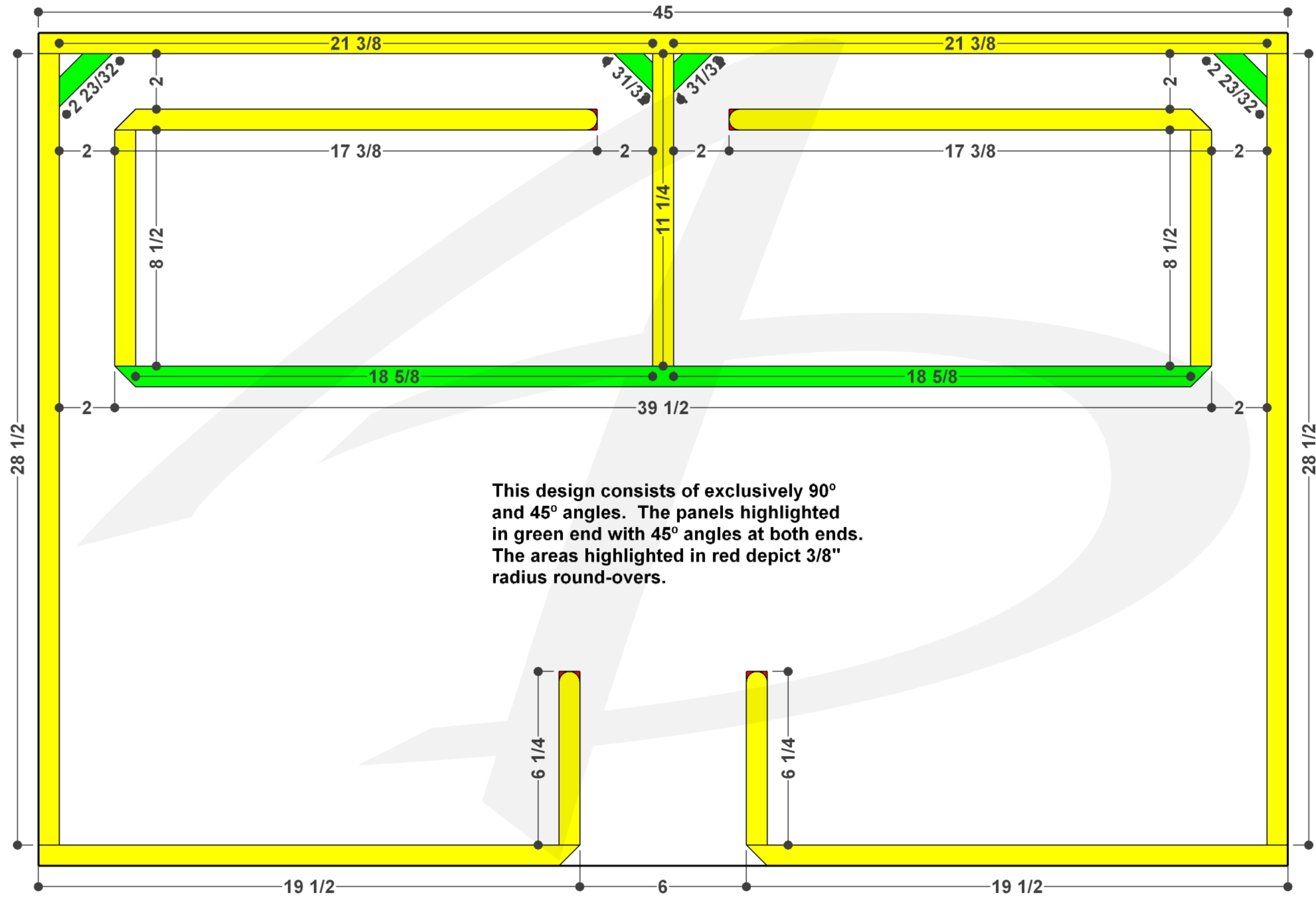
Amplifier Information	
Continuous Power Handling	1,200 W
Subsonic Filter Setting	24 Hz
Low Pass Filter Setting	75 Hz

Subwoofer Information	
Make	Audio Dynamics
Model	AD2212 D4
Quantity	2

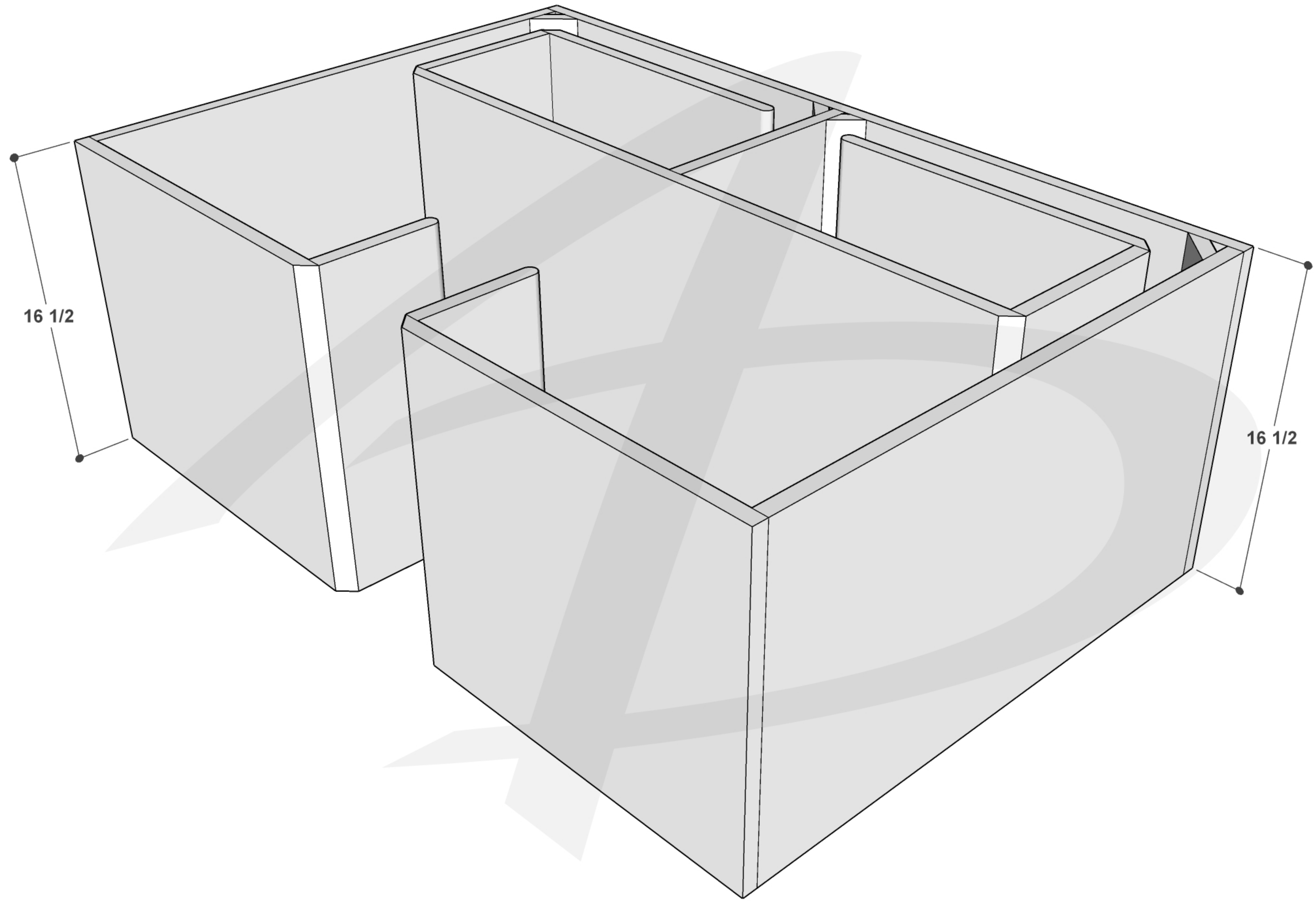
Performance Information	
SQ	<input checked="" type="checkbox"/> Within the Vehicle
<input checked="" type="checkbox"/> SQL	Outside the Vehicle
SPL	Metering Position

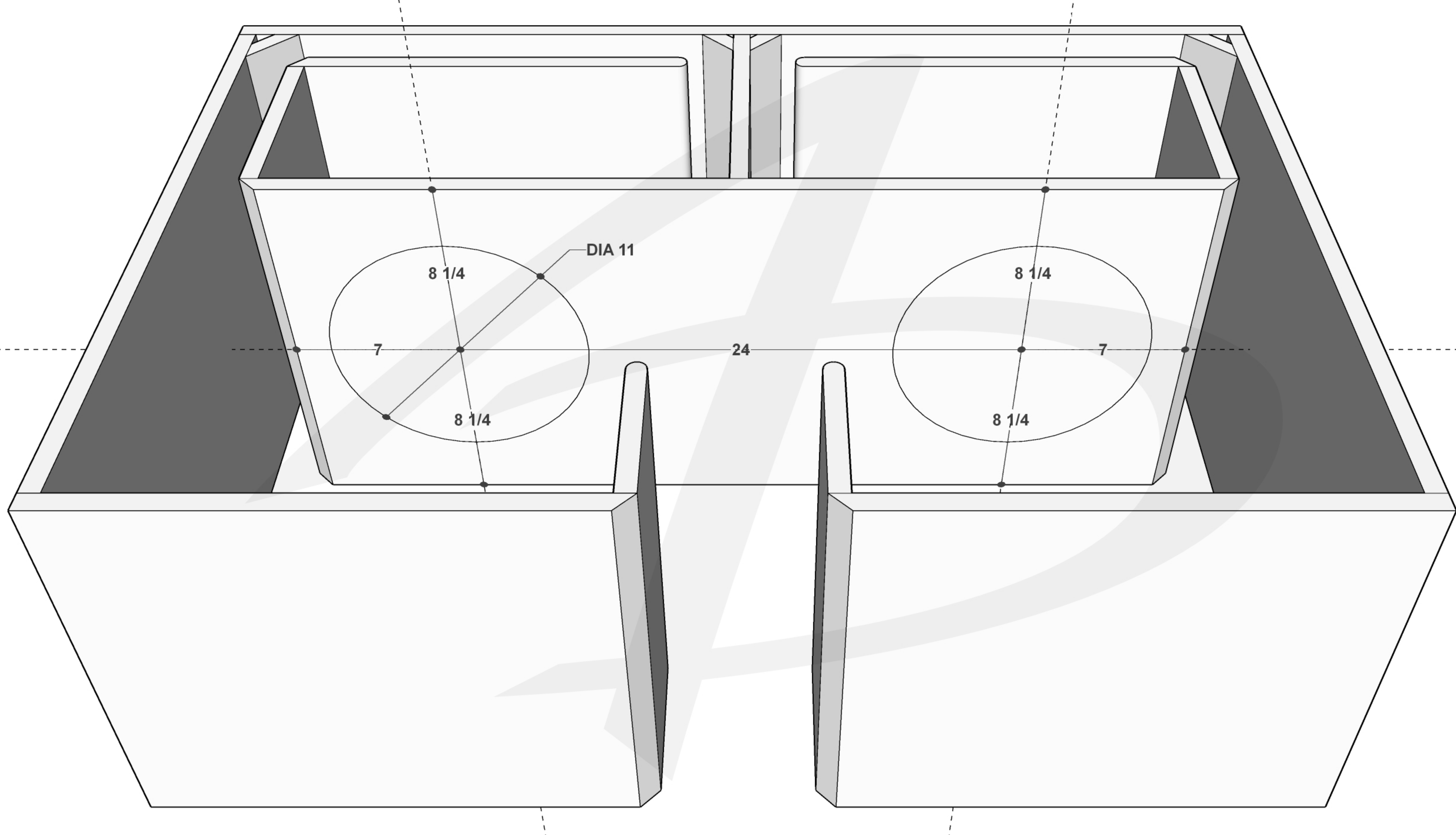
Metering Information		
Headrest	Peak Frequency	Hz
Dash / Windshield		
Foot Well		

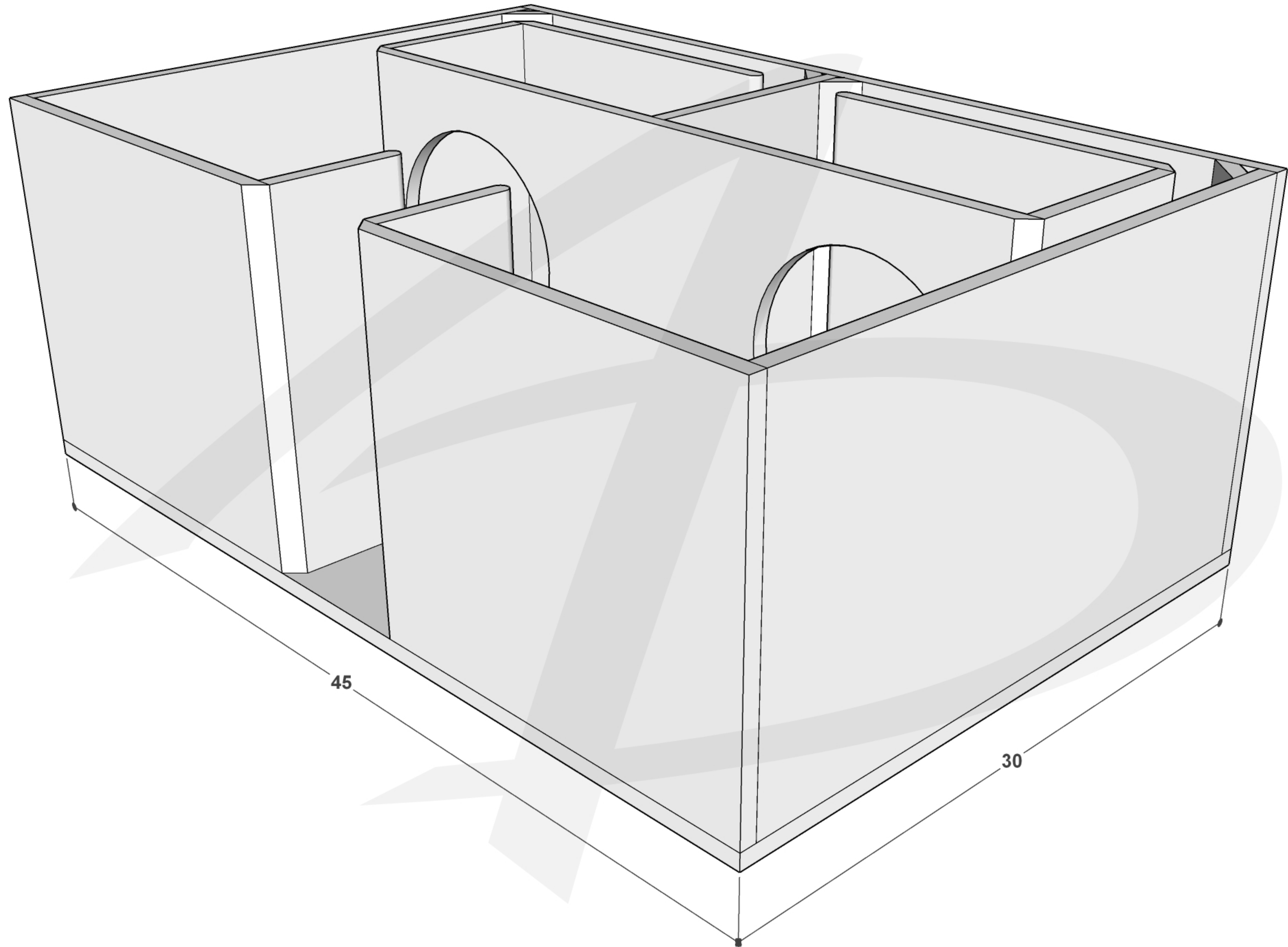




This design consists of exclusively 90° and 45° angles. The panels highlighted in green end with 45° angles at both ends. The areas highlighted in red depict 3/8" radius round-overs.

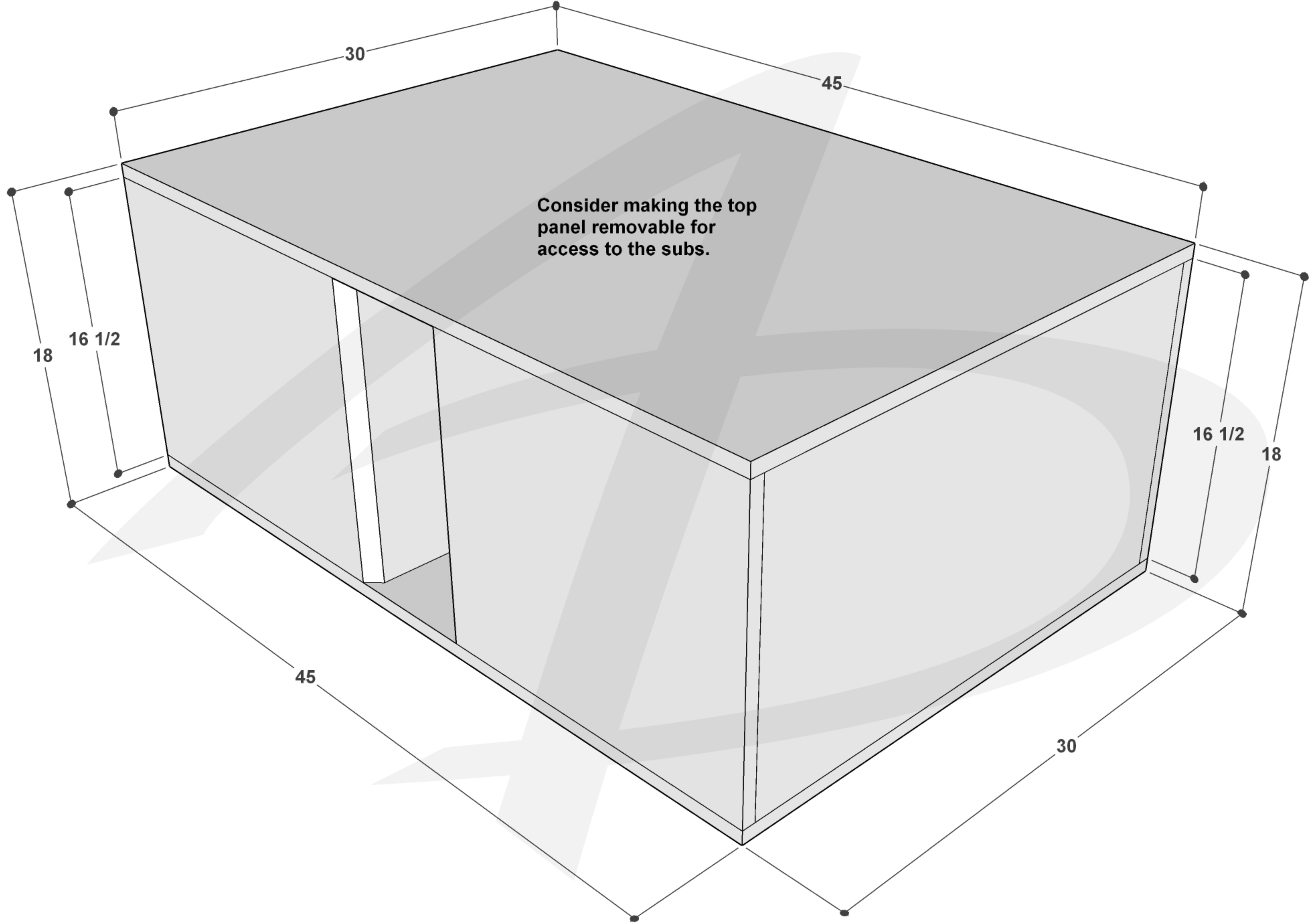






45

30



Consider making the top panel removable for access to the subs.

