



AUDIO DYNAMICS

Vehicle Information	
Year	1994
Make	Chevy
Model	Silverado

Enclosure Information	
Design Type	6 th Order Series-Tuned Bandpass
Placement	Truck Bed
Orientation	Position the enclosure with the vent directed into the main cabin.

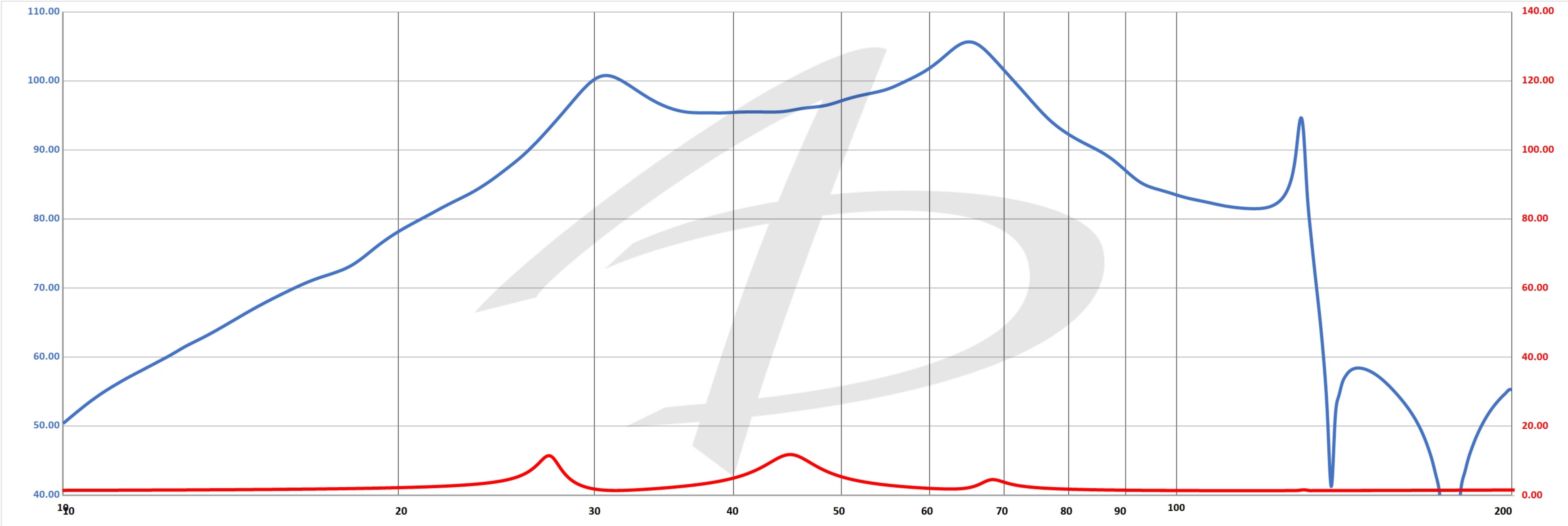
Special Notes
Mount the subs with the motors protruding into the smaller (rear) chamber.

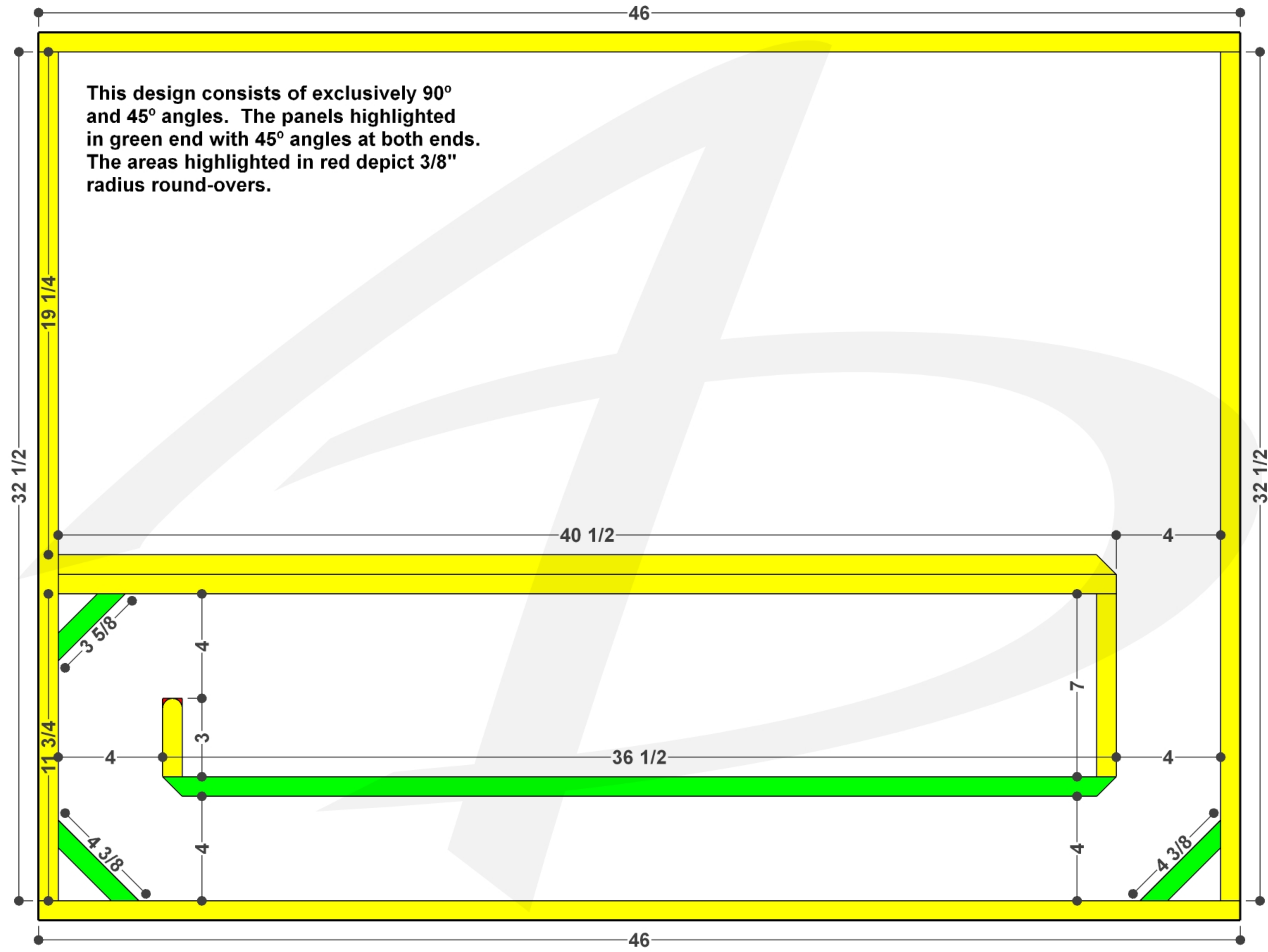
Amplifier Information	
Continuous Power Handling	4,500 W
Subsonic Filter Setting	28 Hz
Low Pass Filter Setting	70 Hz

Subwoofer Information	
Make	Audio Dynamics
Model	AD5010 D2
Quantity	3

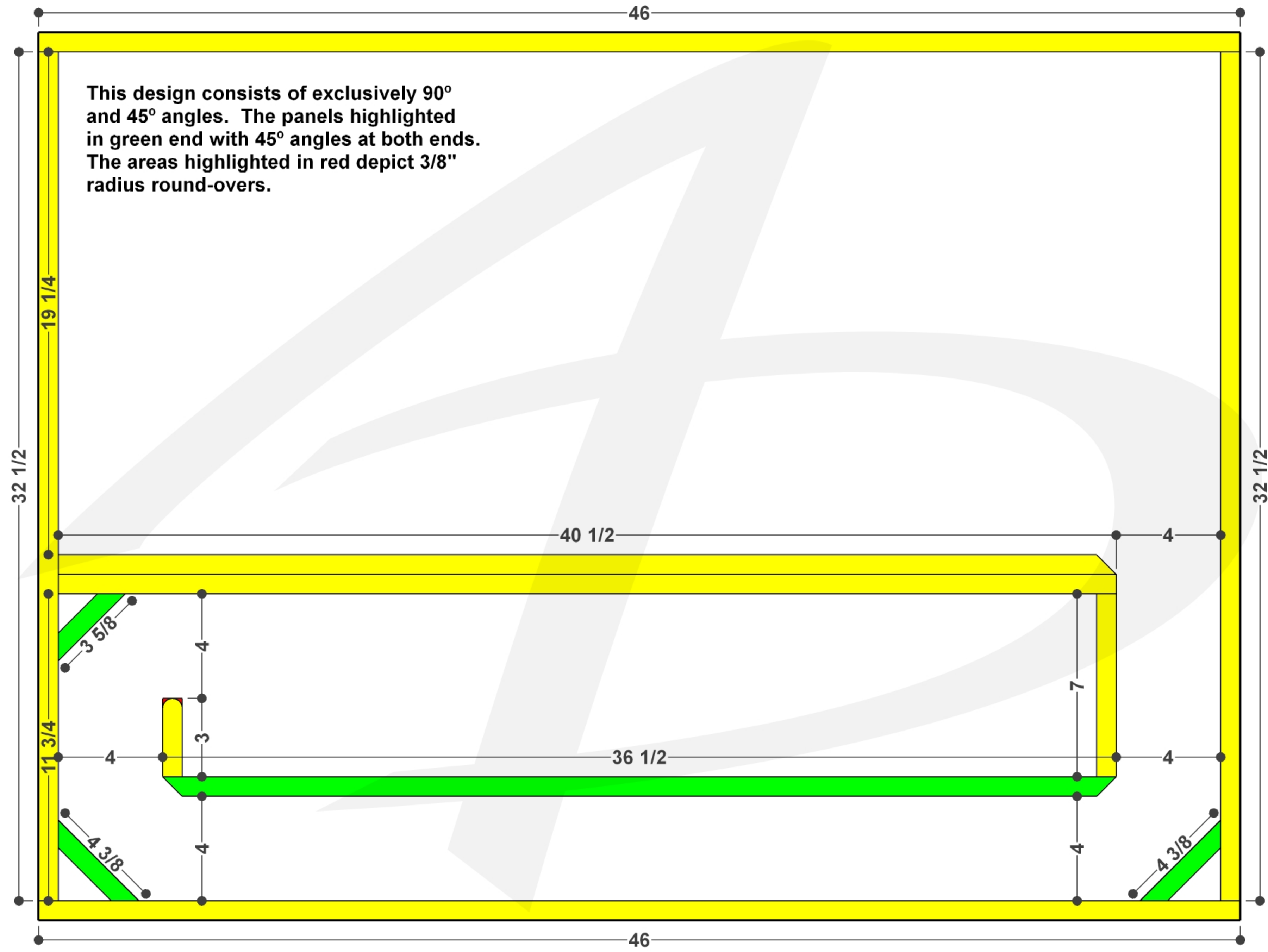
Performance Information	
SQ	<input checked="" type="checkbox"/> Within the Vehicle
<input checked="" type="checkbox"/> SQL	Outside the Vehicle
SPL	Metering Position

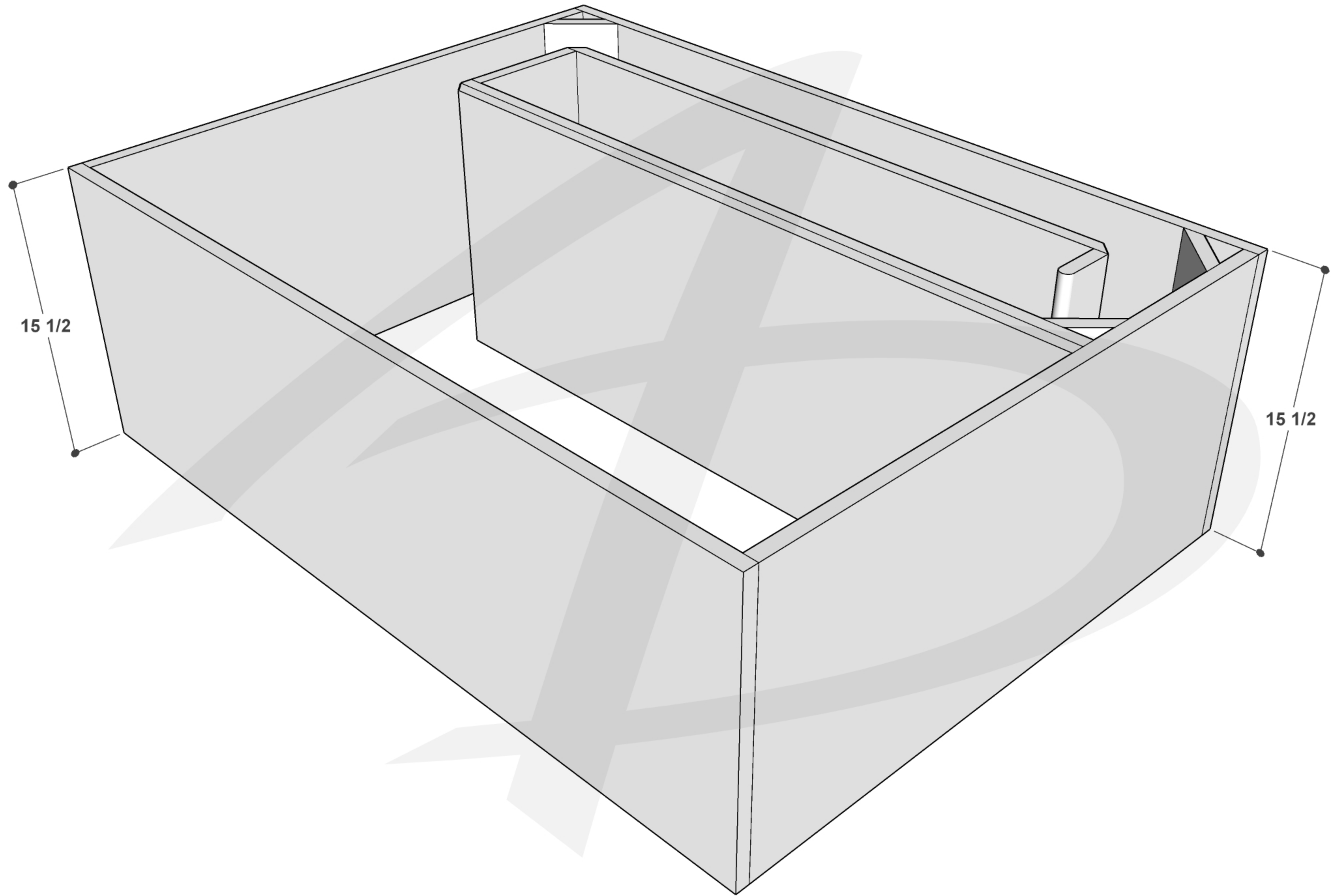
Metering Information		
Headrest	Peak Frequency	Hz
Dash / Windshield		
Foot Well		

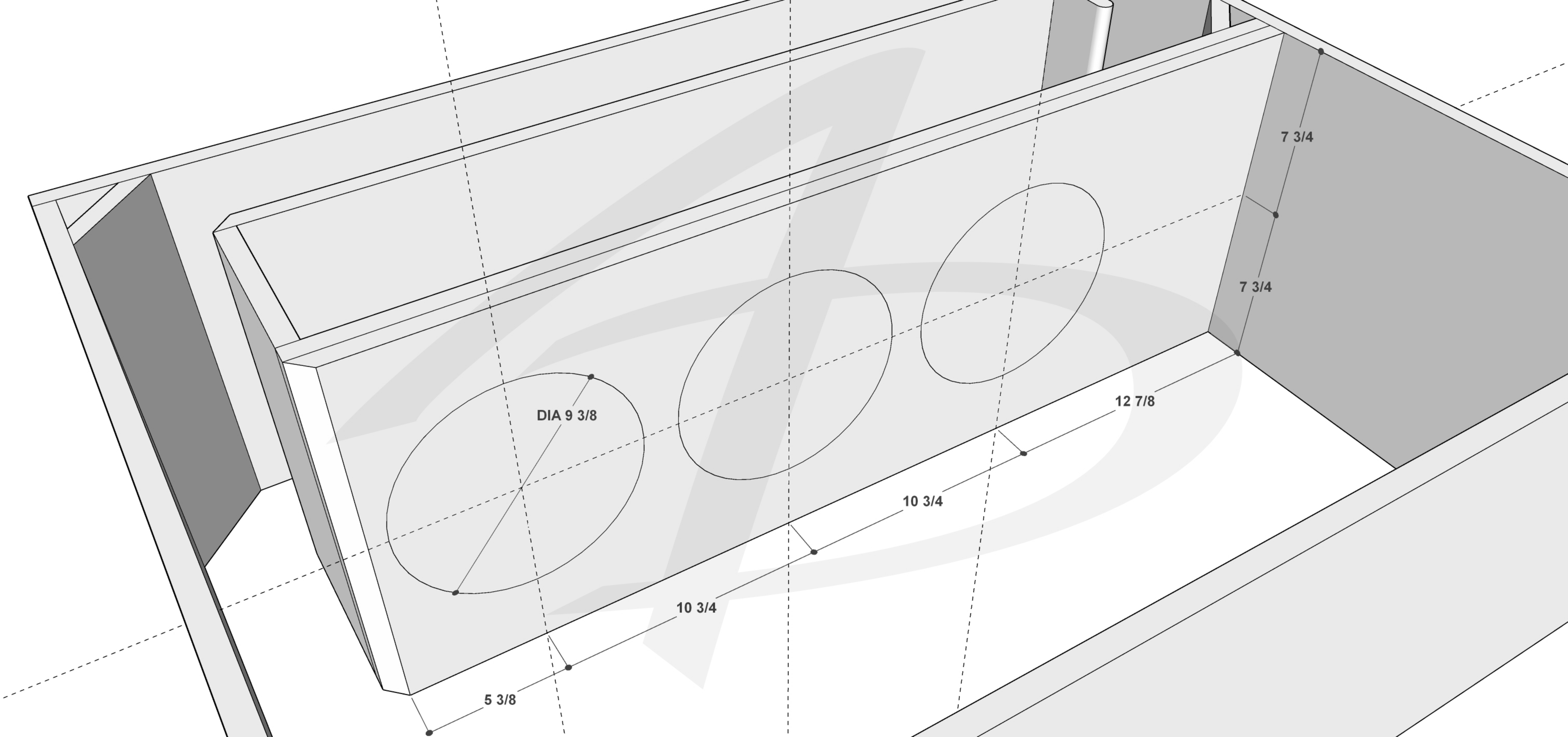




This design consists of exclusively 90° and 45° angles. The panels highlighted in green end with 45° angles at both ends. The areas highlighted in red depict 3/8" radius round-overs.









3 3/4

8

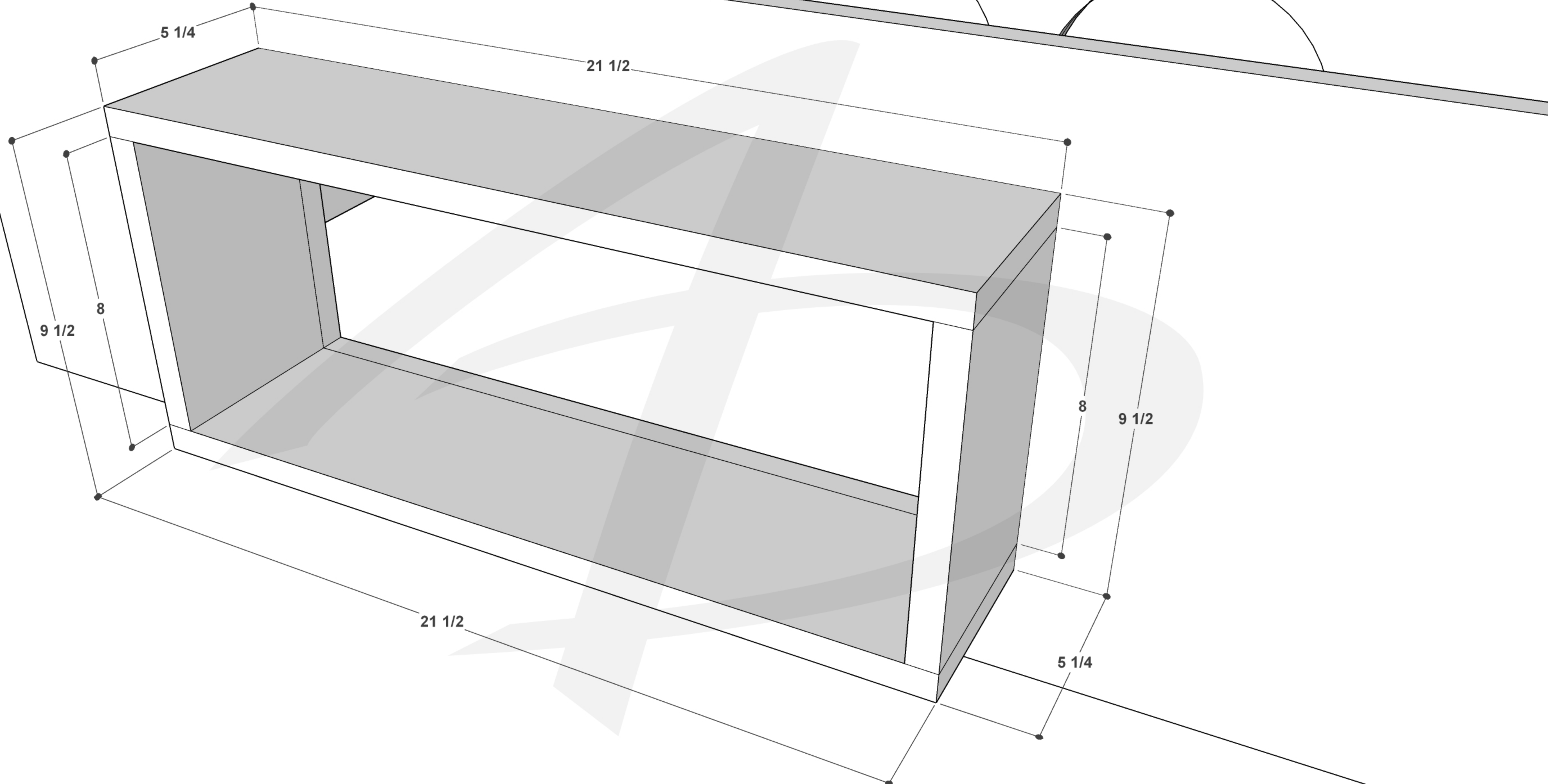
13

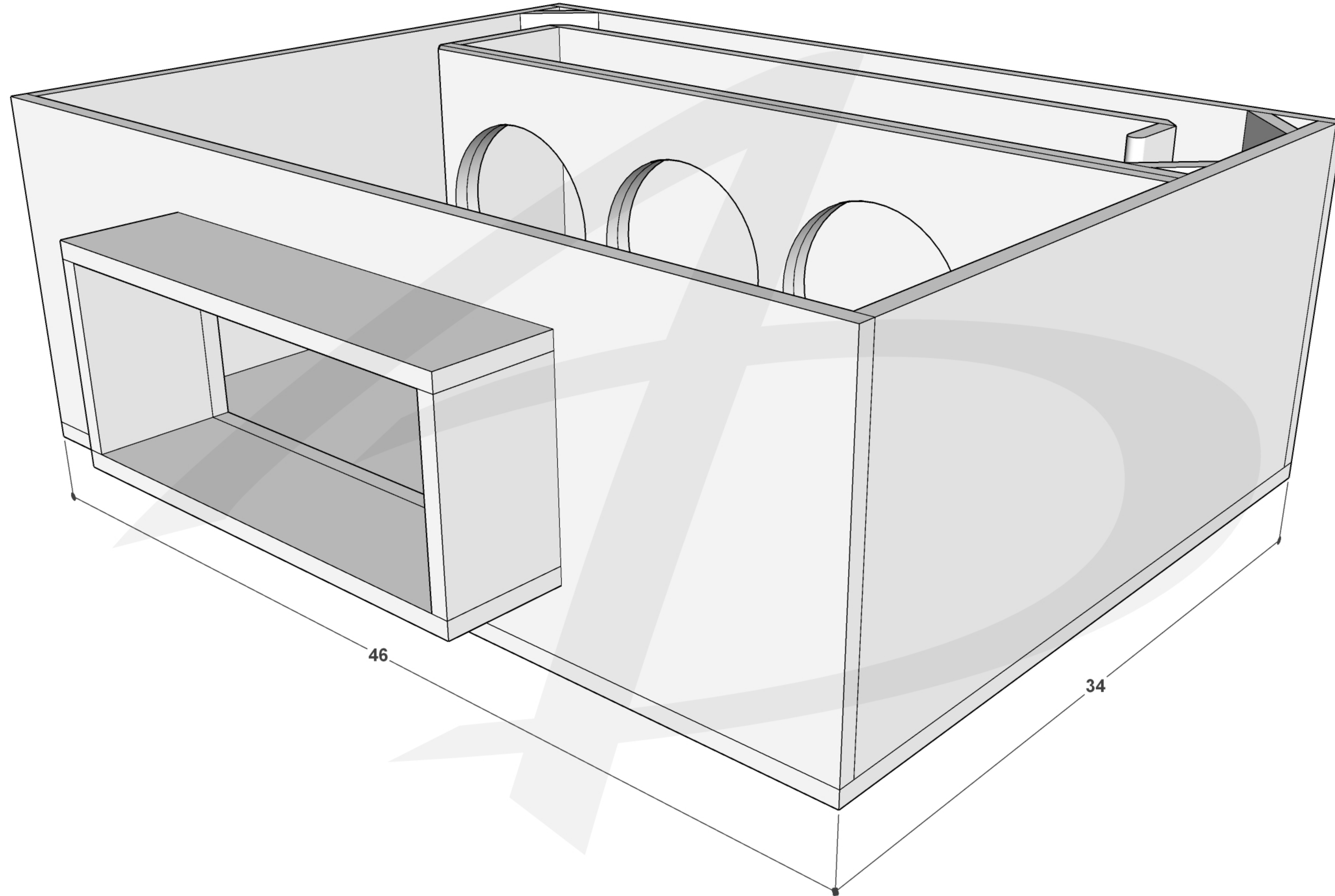
3 3/4

20

13

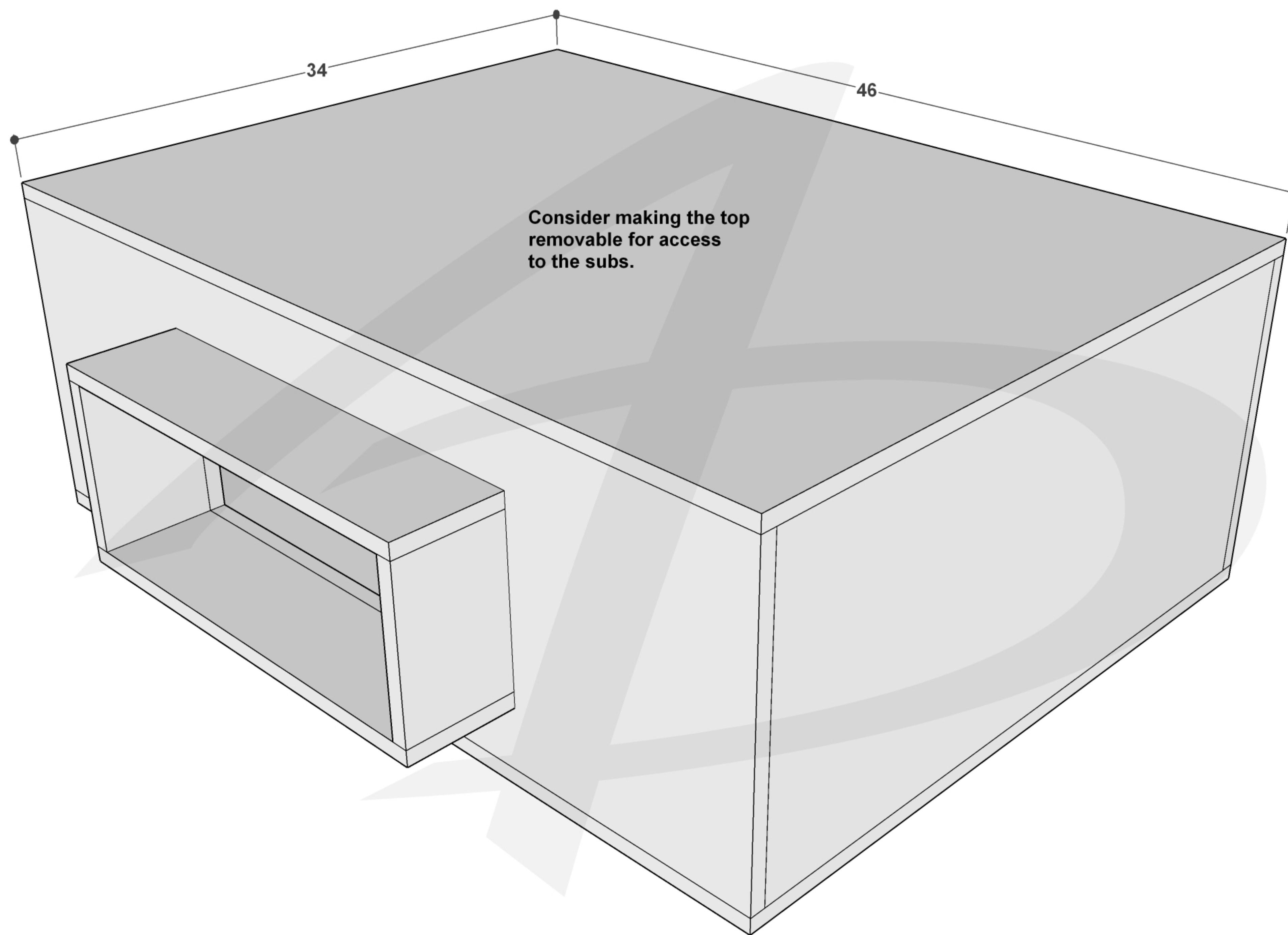
Cut away the
area in yellow.





46

34



Consider making the top removable for access to the subs.

