

Vehicle Information	
Year	2019
Make	Dodge
Model	Ram 1500

Enclosure Information	
Design Type	Bass-Reflex
Placement	Under the rear seats.
Orientation	Position the enclosure with the subs directed forward, vent directed toward the passenger side.



**AUDIO DYNAMICS**

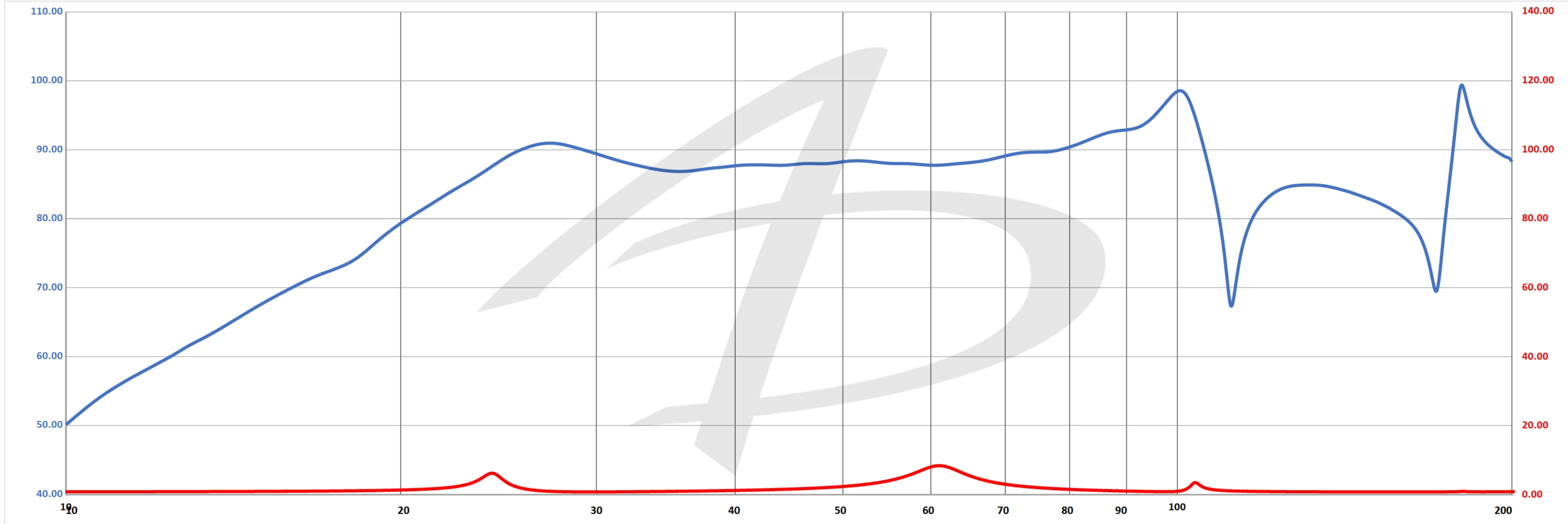
Special Notes

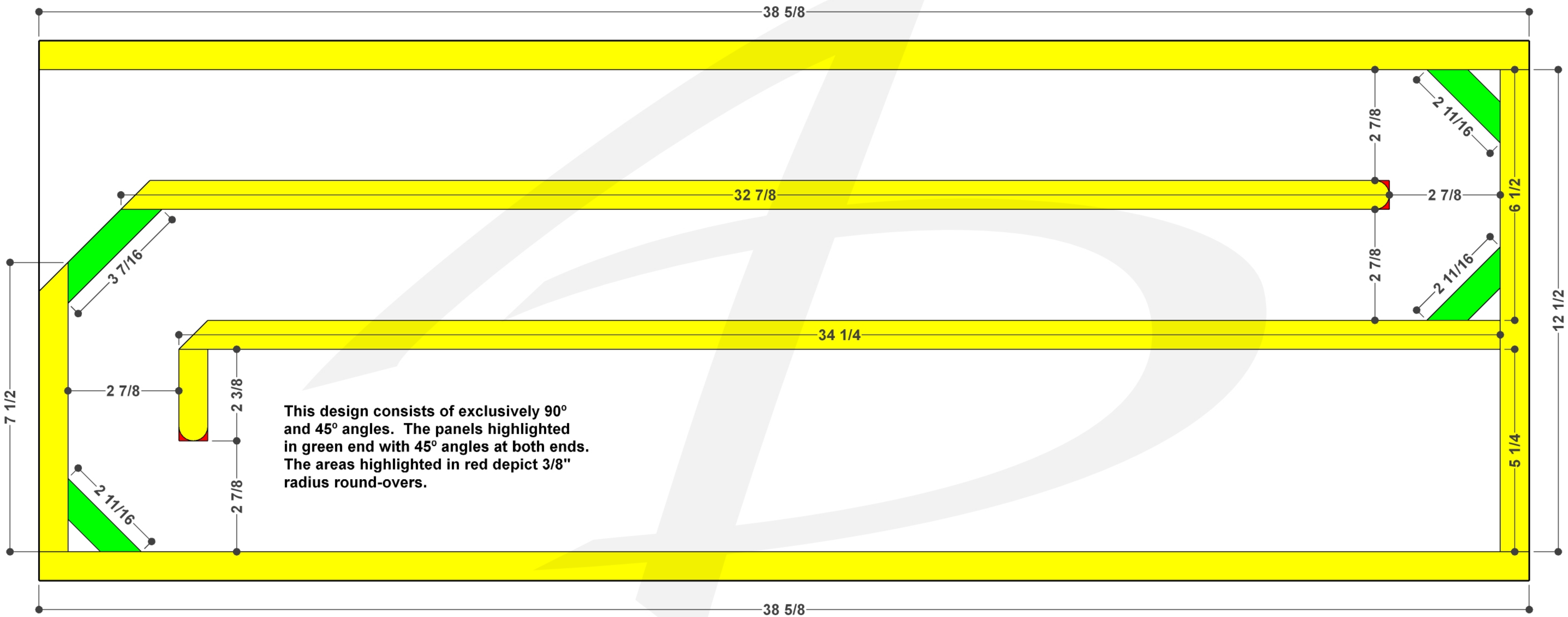
Amplifier Information	
Continuous Power Handling	2,400 W
Subsonic Filter Setting	26 Hz
Low Pass Filter Setting	60 Hz

Subwoofer Information	
Make	Audio Dynamics
Model	AD3008 D2
Quantity	4

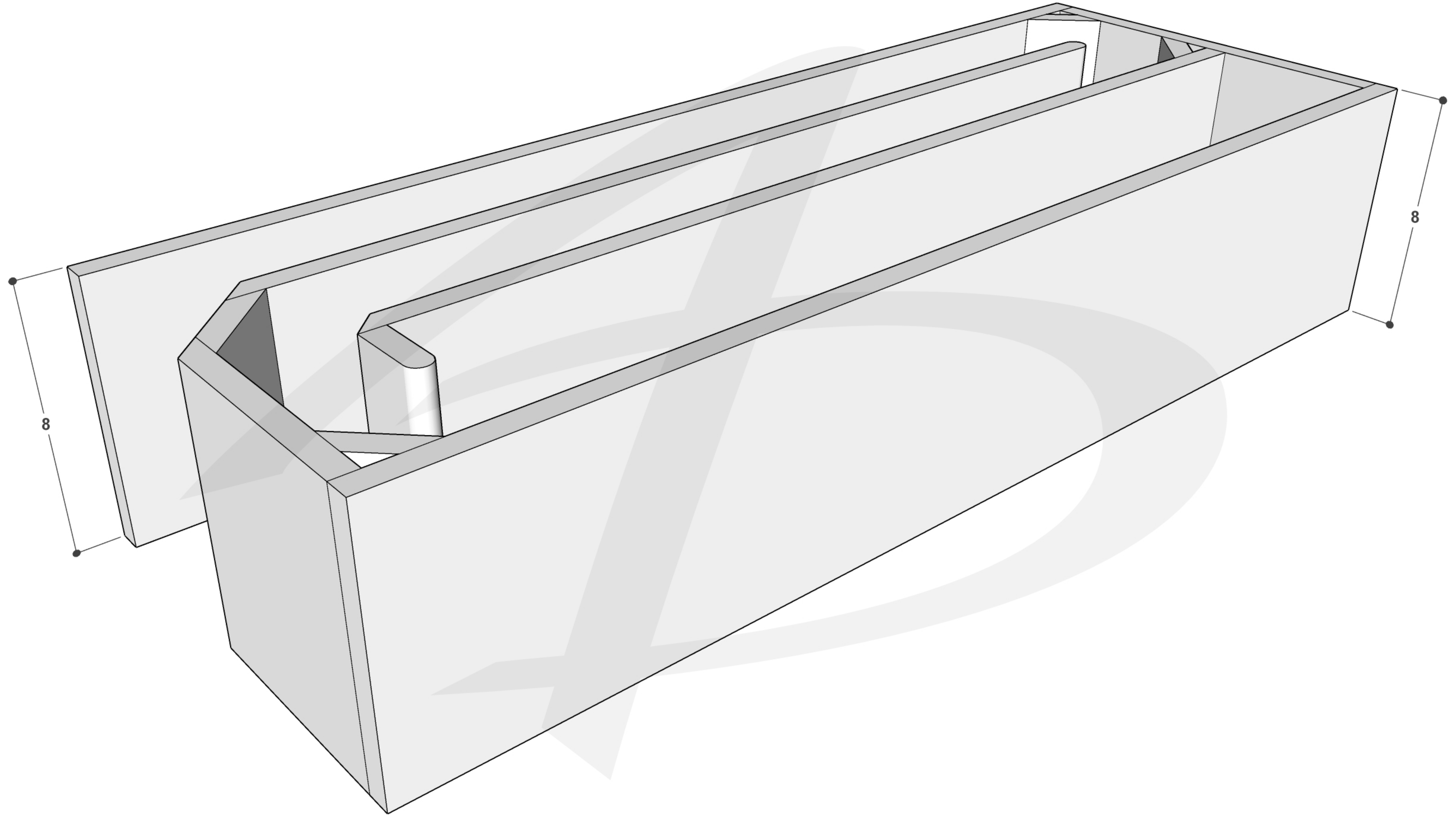
Performance Information	
SQ	<input checked="" type="checkbox"/> Within the Vehicle
<input checked="" type="checkbox"/> SQL	Outside the Vehicle
SPL	Metering Position

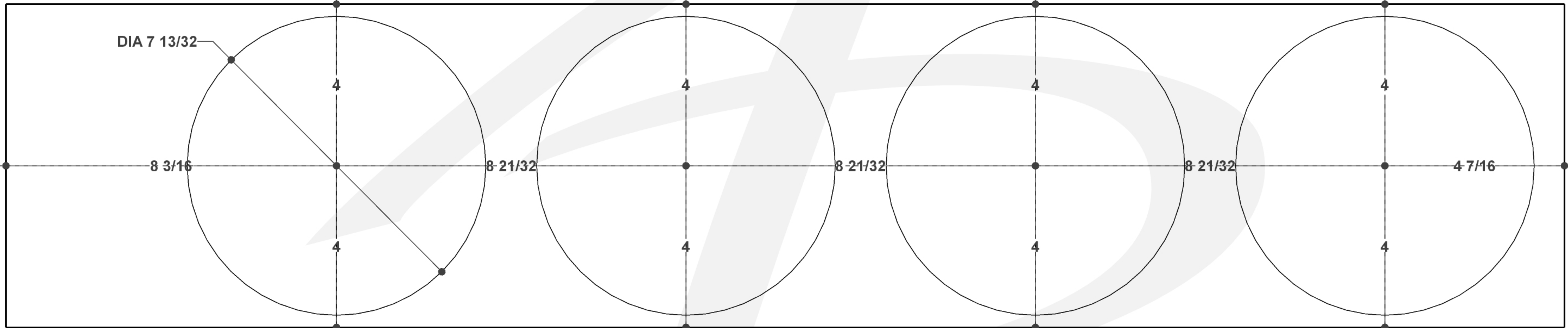
Metering Information		
Headrest	Peak Frequency	Hz
Dash / Windshield		
Foot Well		

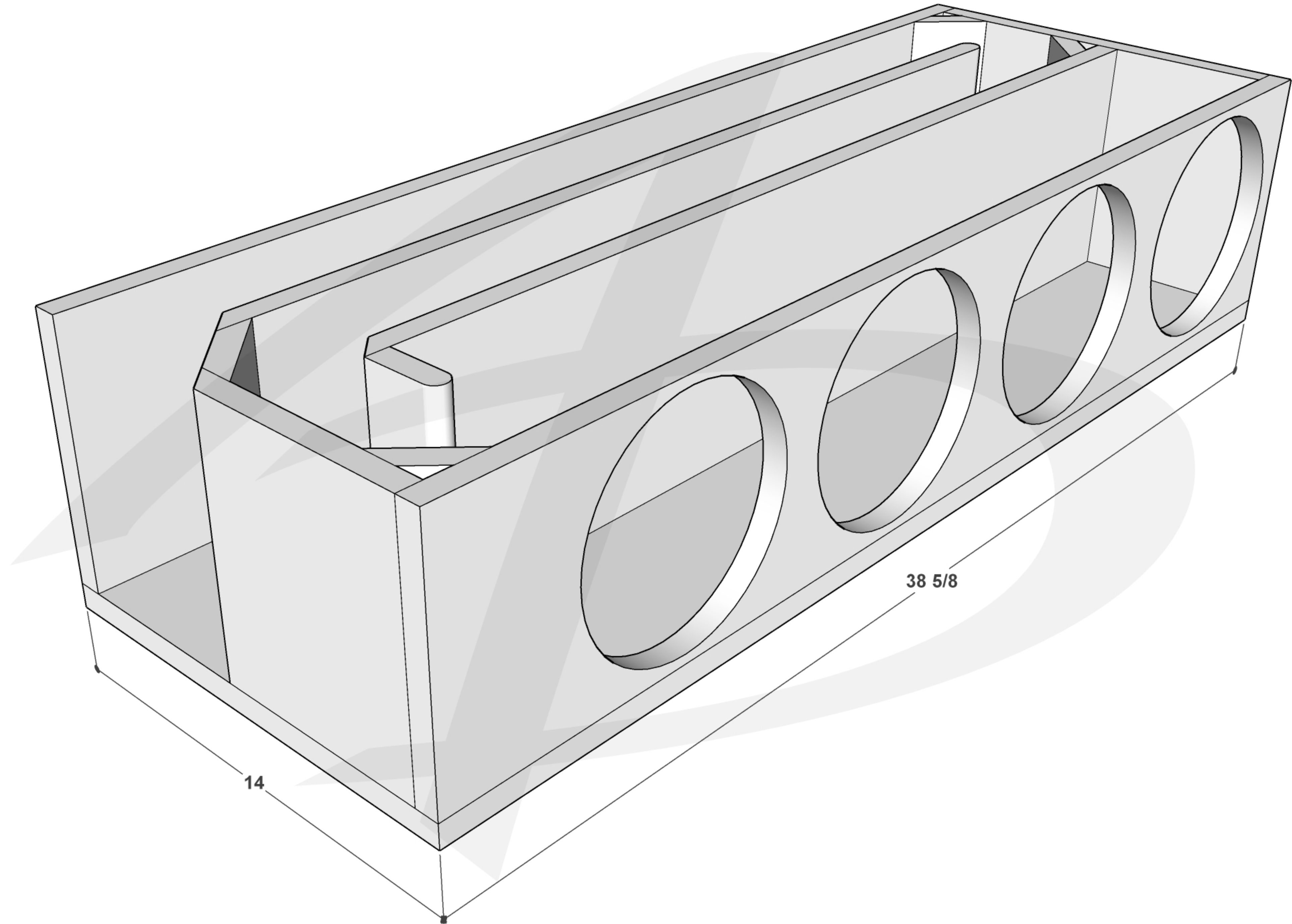




This design consists of exclusively 90° and 45° angles. The panels highlighted in green end with 45° angles at both ends. The areas highlighted in red depict 3/8" radius round-overs.







14

38 5/8

