

Vehicle Information	
Year	2017
Make	Infinity
Model	Q50

Enclosure Information	
Design Type	Bass-Reflex
Placement	Cargo area
Orientation	Position the enclosure with the subs directed rearward, vent along the passenger side.



**AUDIO DYNAMICS**

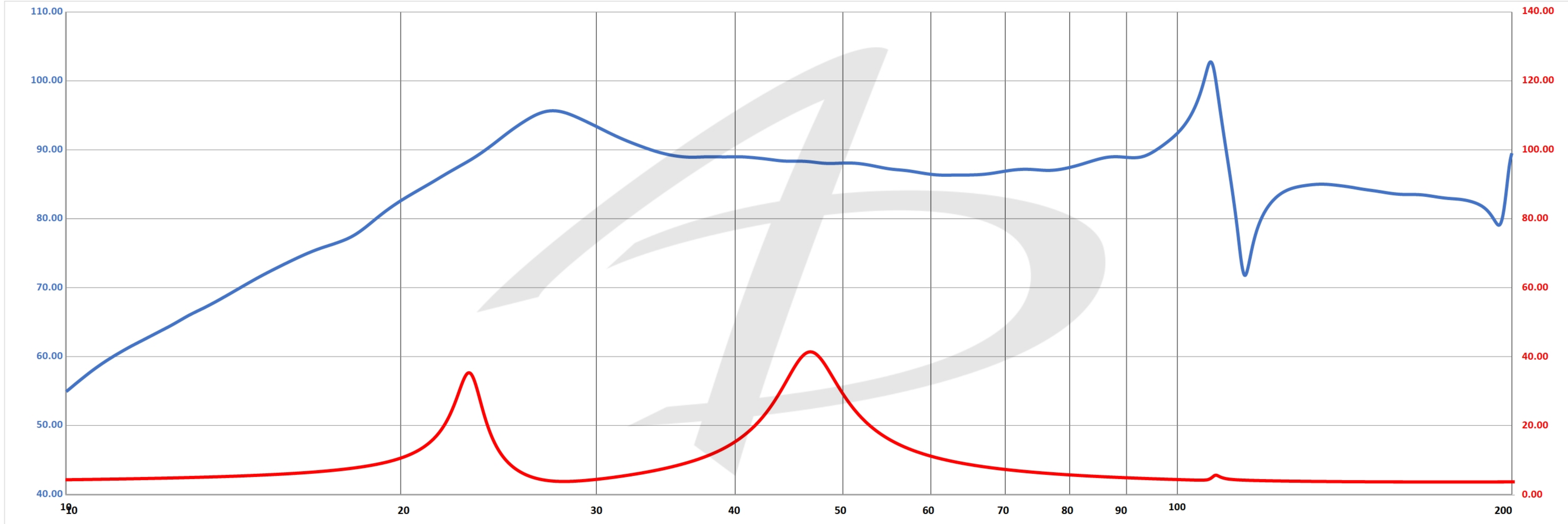
Special Notes

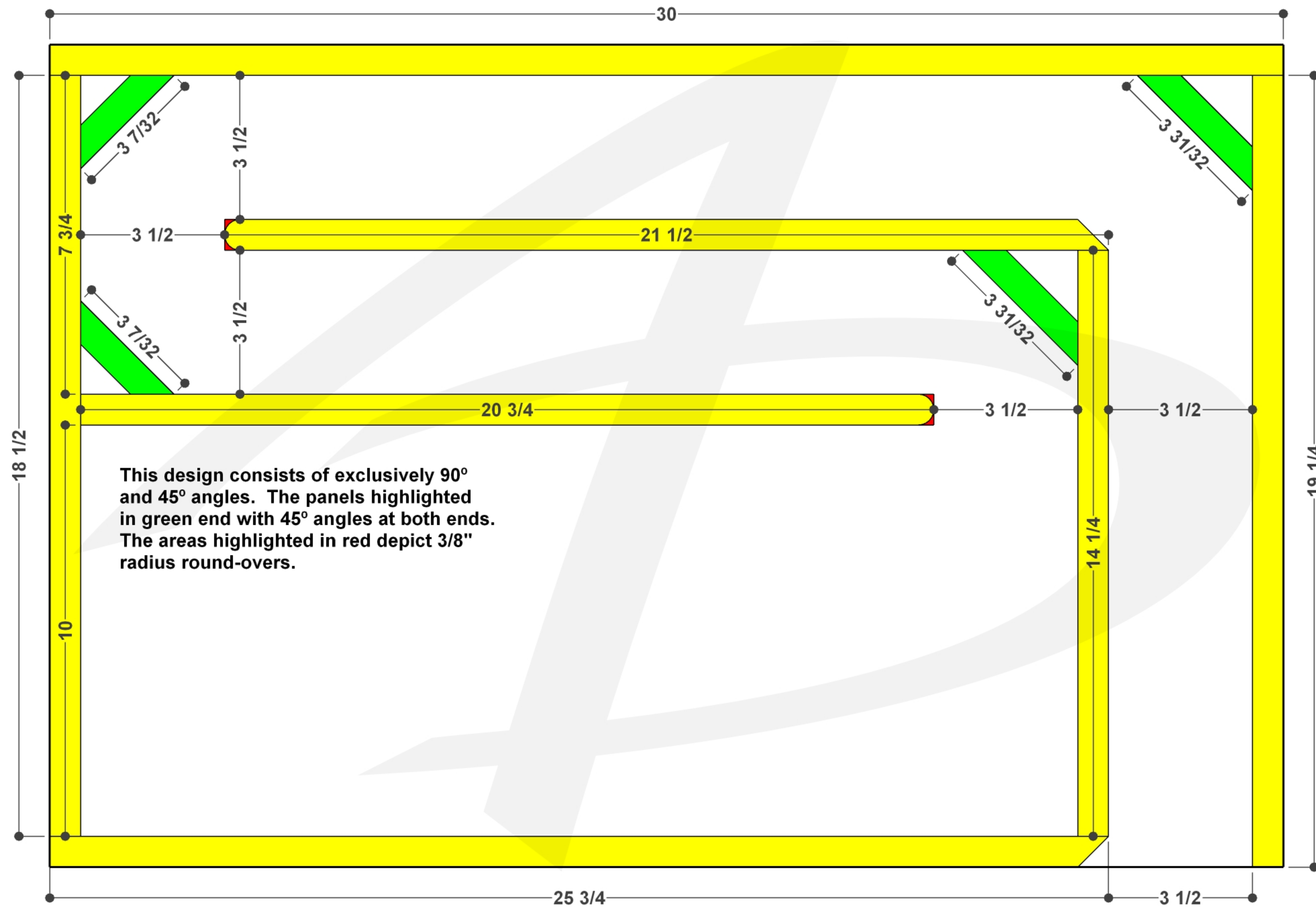
Amplifier Information	
Continuous Power Handling	3,000 W
Subsonic Filter Setting	24 Hz
Low Pass Filter Setting	60 Hz

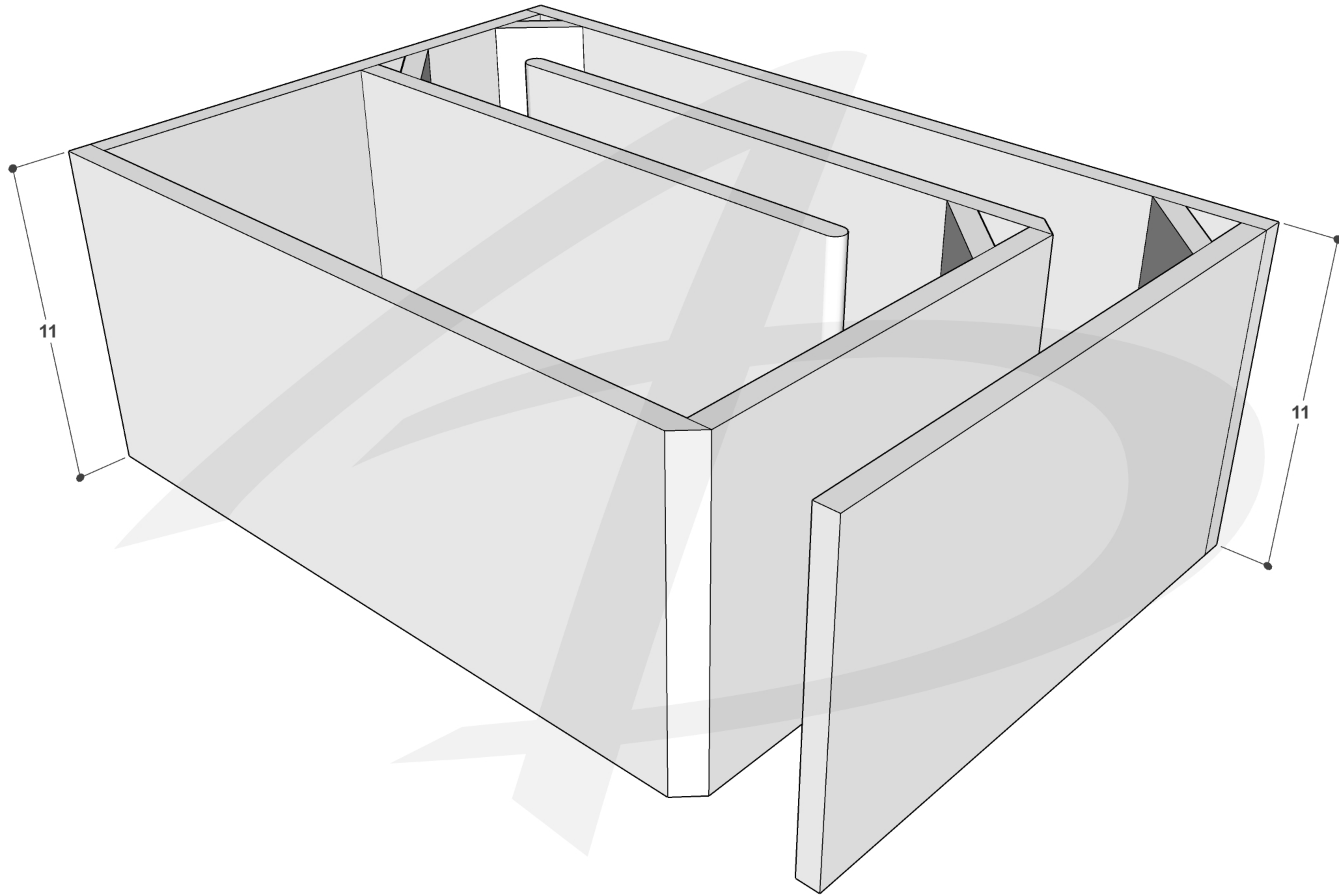
Subwoofer Information	
Make	Audio Dynamics
Model	AD4210 D4
Quantity	2

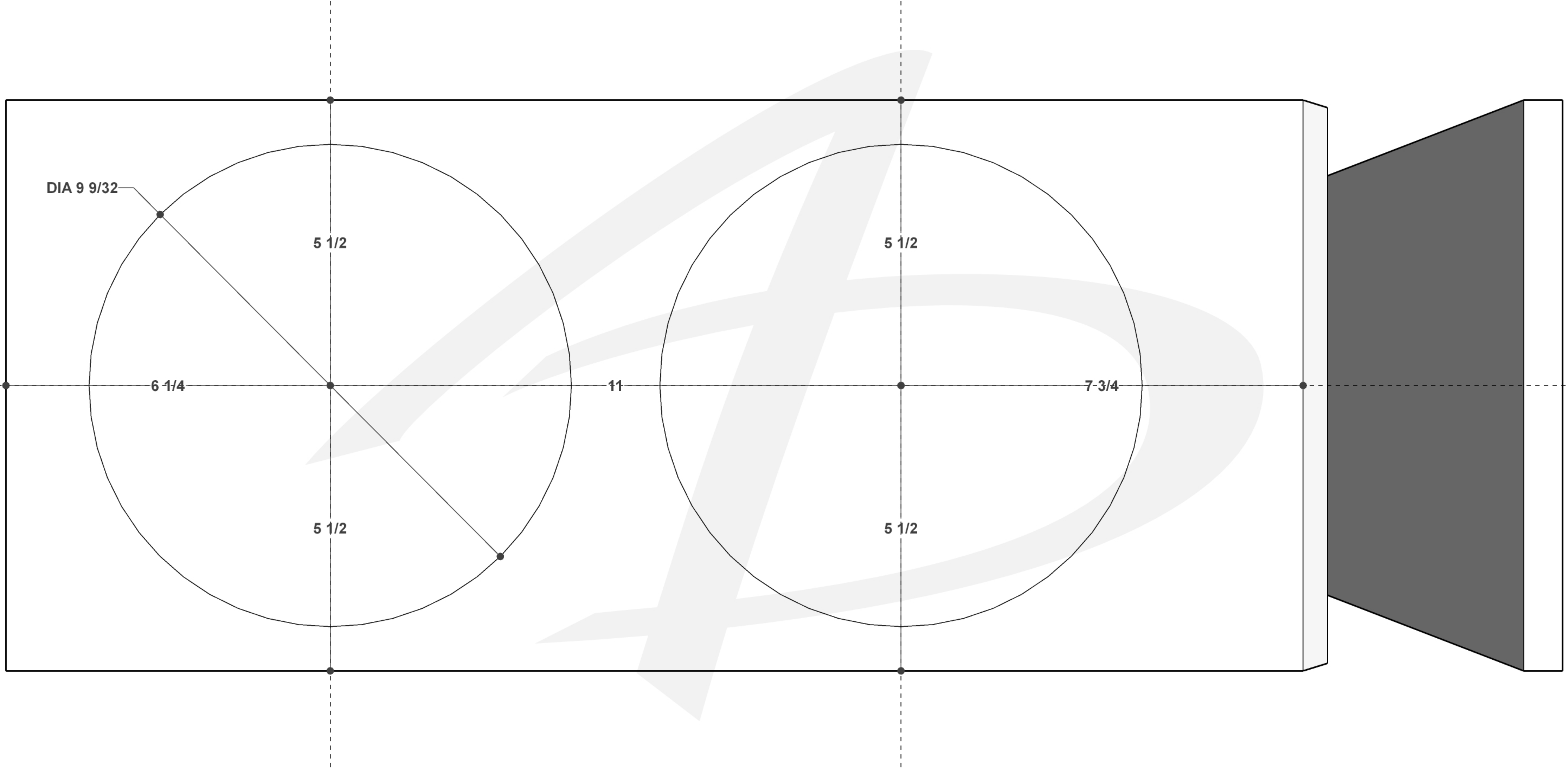
Performance Information	
SQ	<input checked="" type="checkbox"/> Within the Vehicle
<input checked="" type="checkbox"/> SQL	Outside the Vehicle
SPL	Metering Position

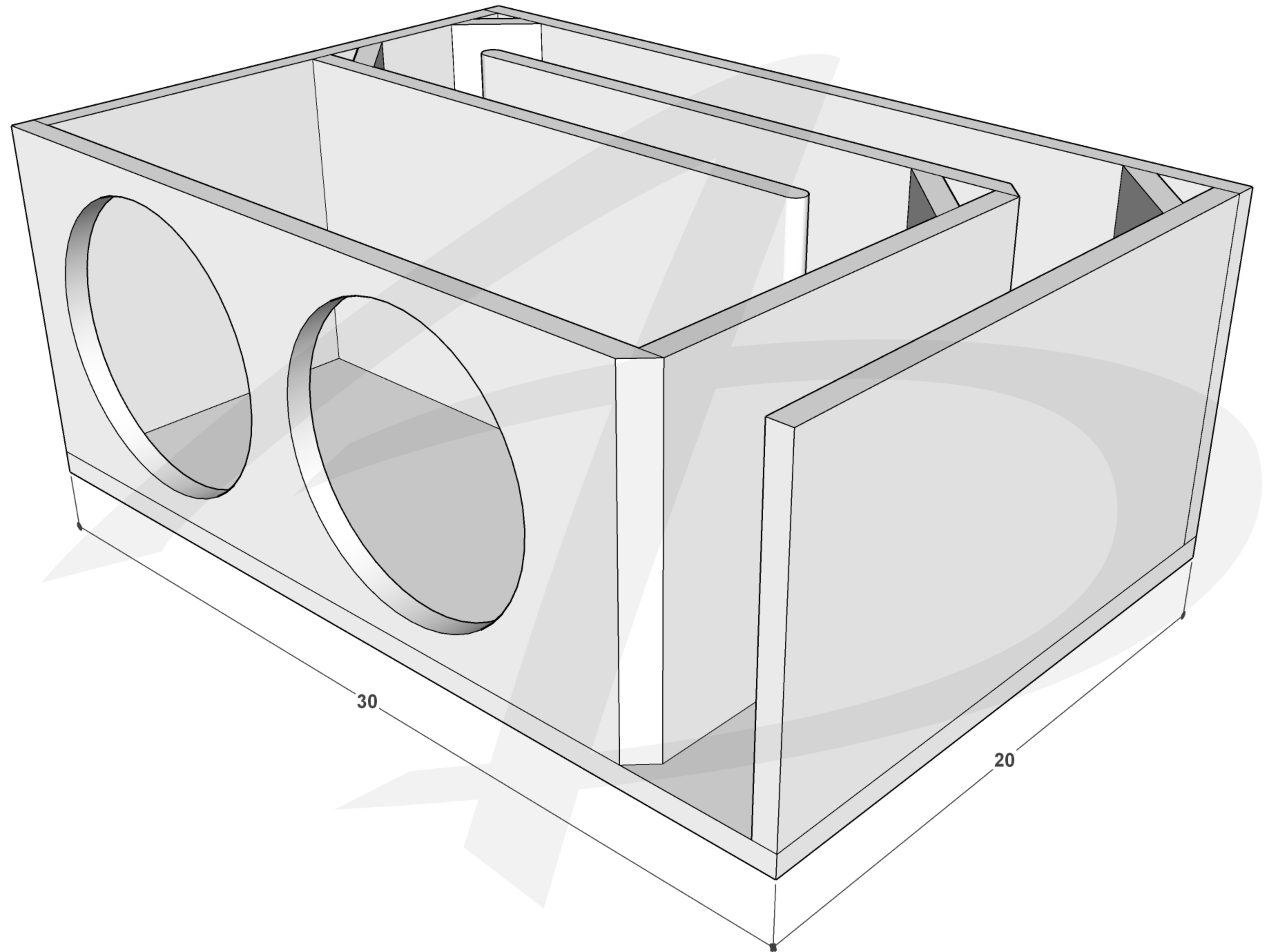
Metering Information		
Headrest	Peak Frequency	Hz
Dash / Windshield		
Foot Well		











30

20

