

| Vehicle Information | |
|---------------------|--------|
| Year | 2008 |
| Make | Toyota |
| Model | Tundra |

| Enclosure Information | |
|-----------------------|--|
| Design Type | Bass-Reflex |
| Placement | Behind the seats |
| Orientation | Position the enclosure with the subs directed upward along the driver side, vent along the passenger side. |



AUDIO DYNAMICS

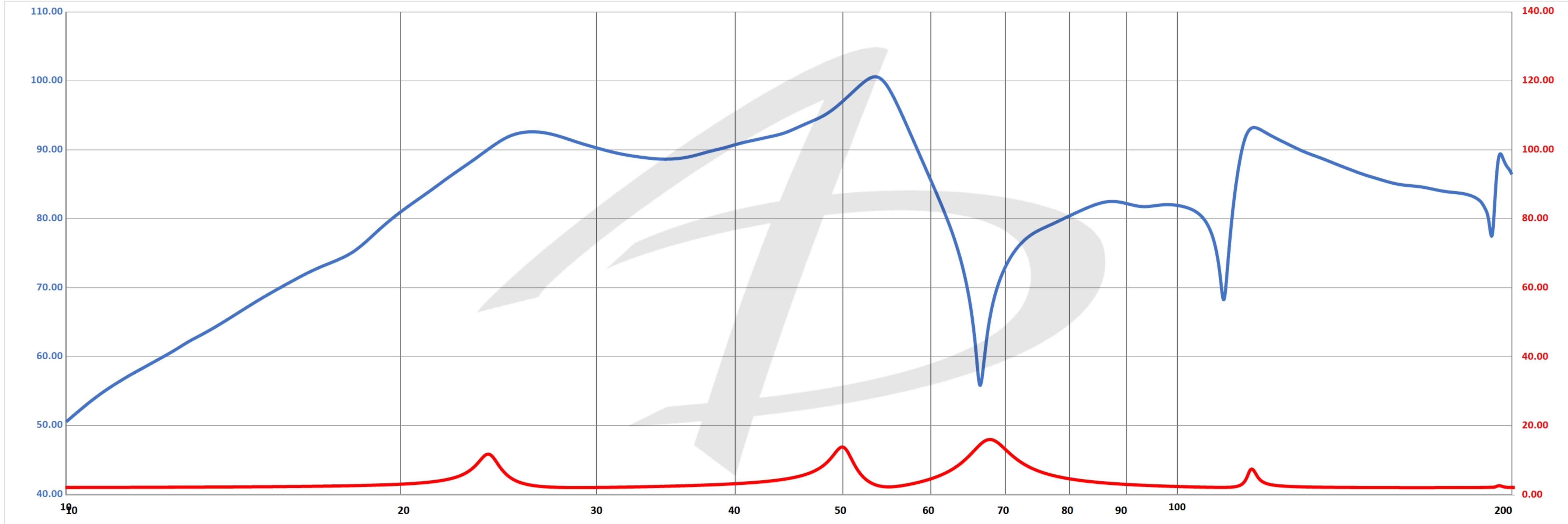
| Special Notes |
|---------------|
| |

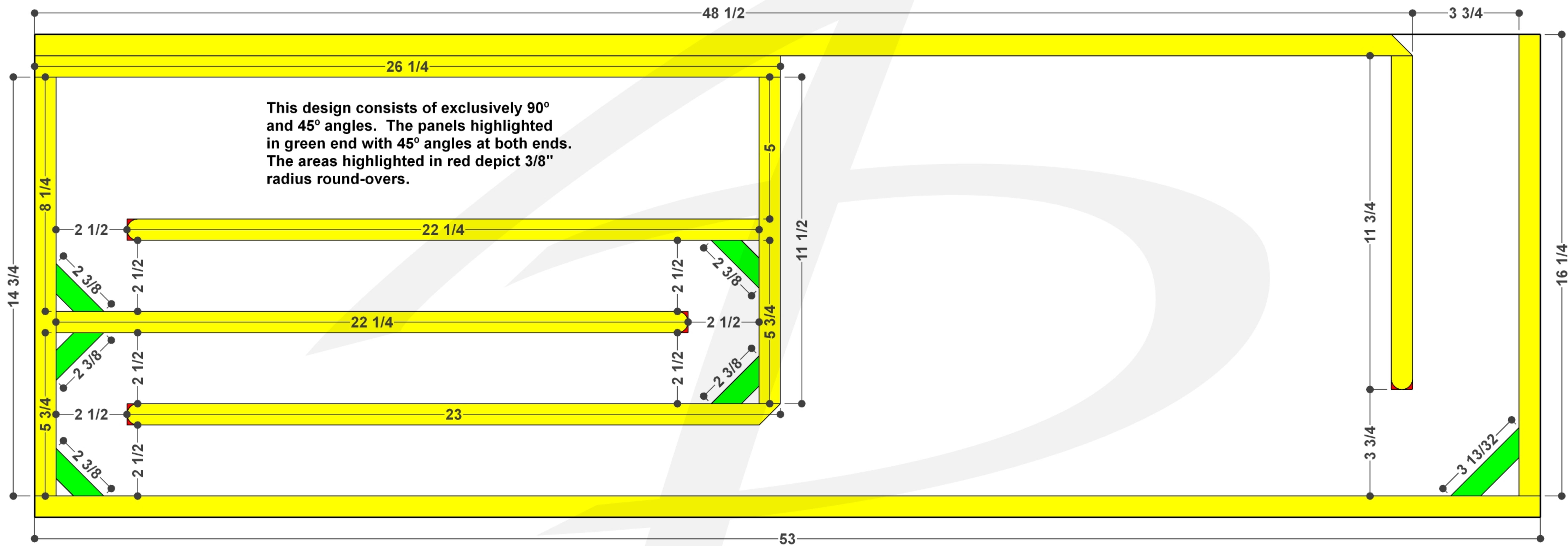
| Amplifier Information | |
|---------------------------|---------|
| Continuous Power Handling | 1,800 W |
| Subsonic Filter Setting | 24 Hz |
| Low Pass Filter Setting | 55 Hz |

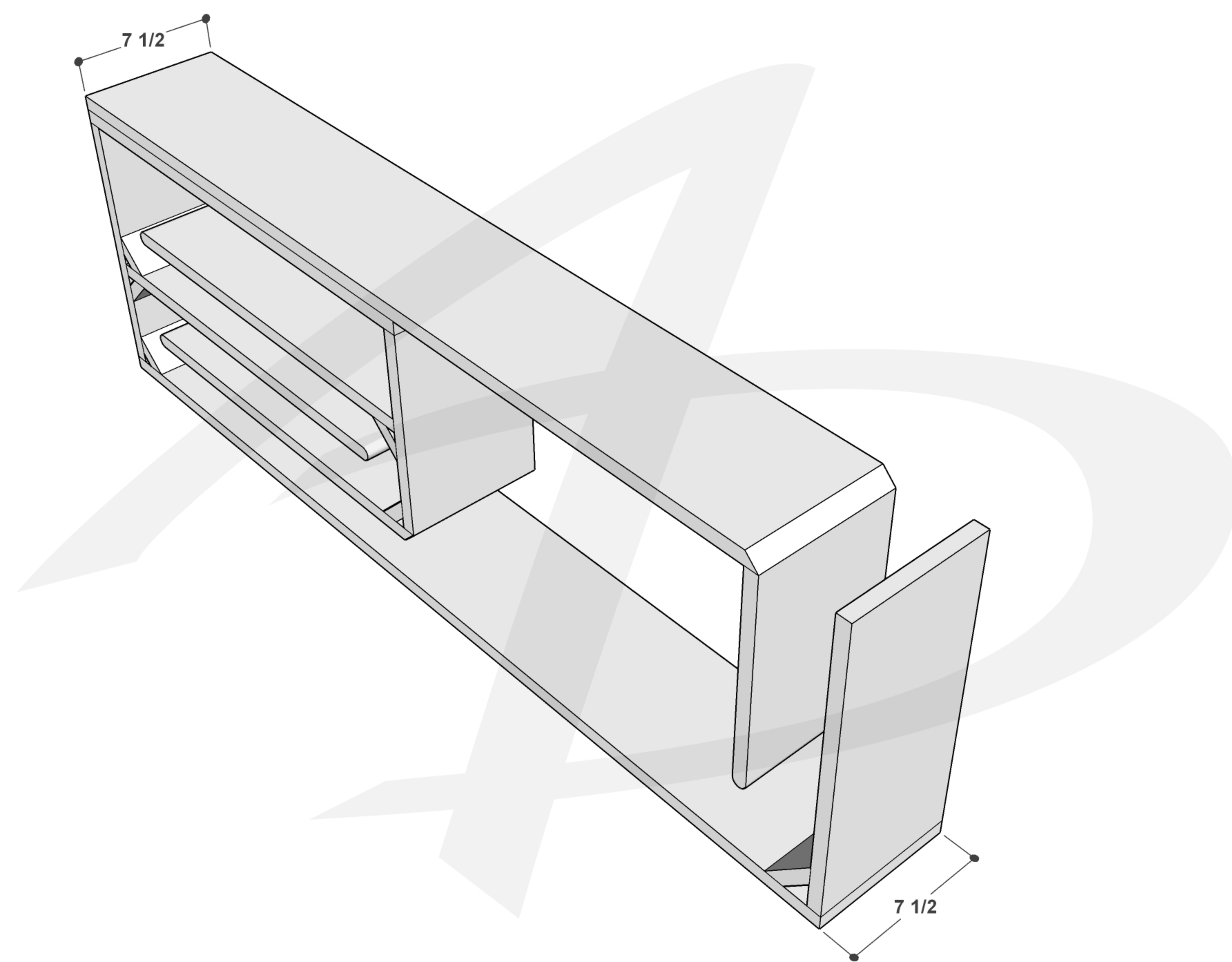
| Subwoofer Information | |
|-----------------------|----------------|
| Make | Audio Dynamics |
| Model | AD3008 D4 |
| Quantity | 3 |

| Performance Information | |
|---|--|
| SQ | <input checked="" type="checkbox"/> Within the Vehicle |
| <input checked="" type="checkbox"/> SQL | Outside the Vehicle |
| SPL | Metering Position |

| Metering Information | | |
|----------------------|----------------|----|
| Headrest | Peak Frequency | Hz |
| Dash / Windshield | | |
| Foot Well | | |

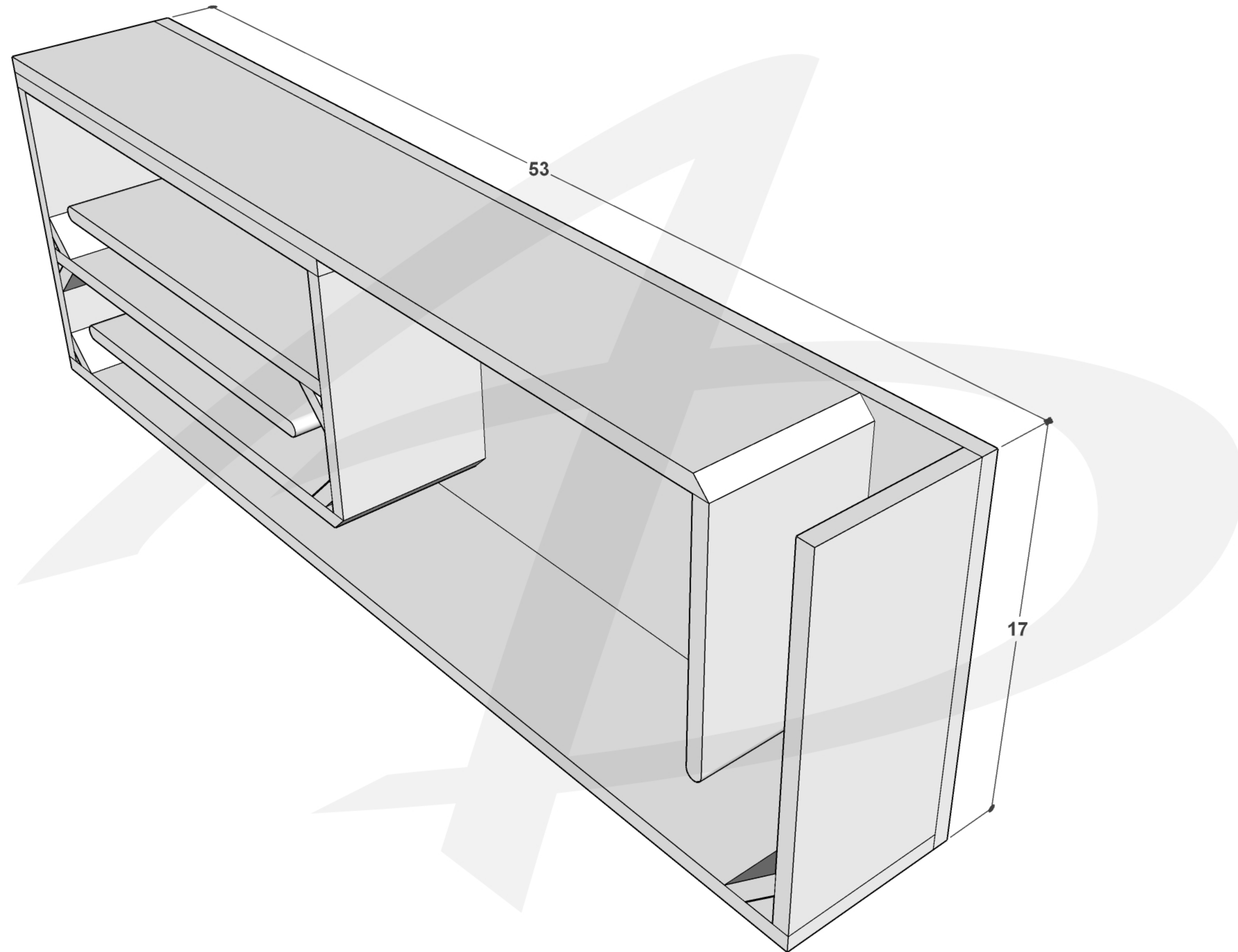






7 1/2

7 1/2



53

17

