

Vehicle Information	
Year	2019
Make	Dodge
Model	Ram 1500

Enclosure Information	
Design Type	Bass-Reflex
Placement	Under Seats
Orientation	Position the enclosure with the subs directed forward, vents directed outward.



AUDIO DYNAMICS

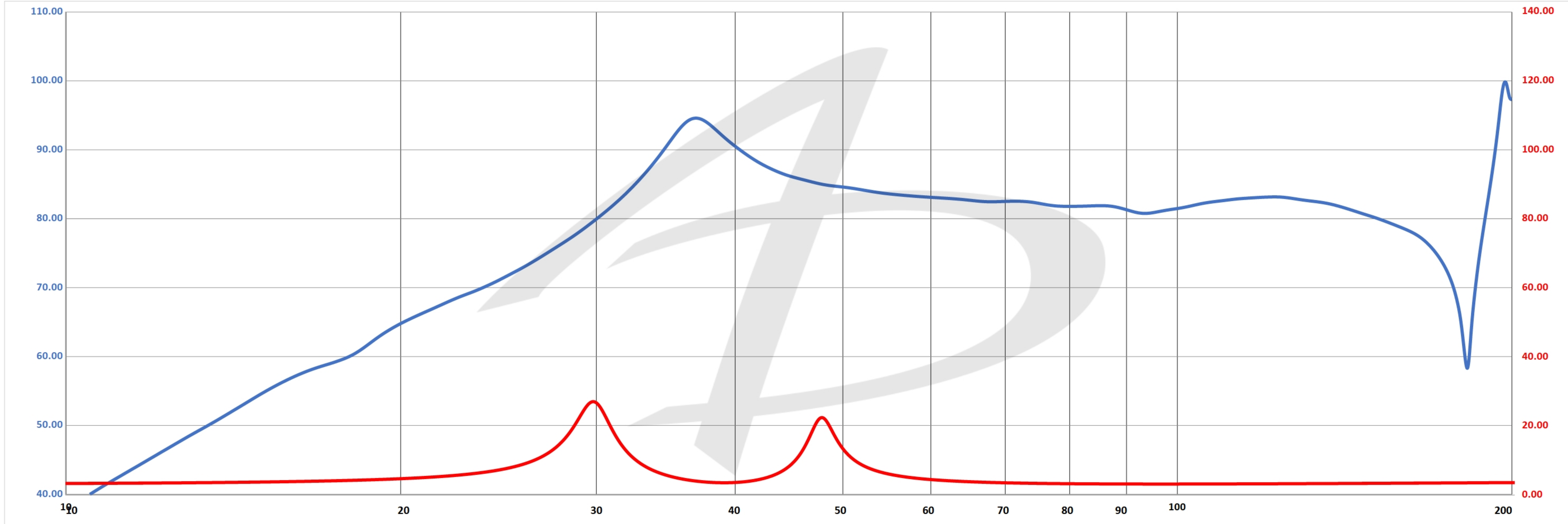
Special Notes

Amplifier Information	
Continuous Power Handling	3,000 W
Subsonic Filter Setting	34 Hz
Low Pass Filter Setting	60 Hz

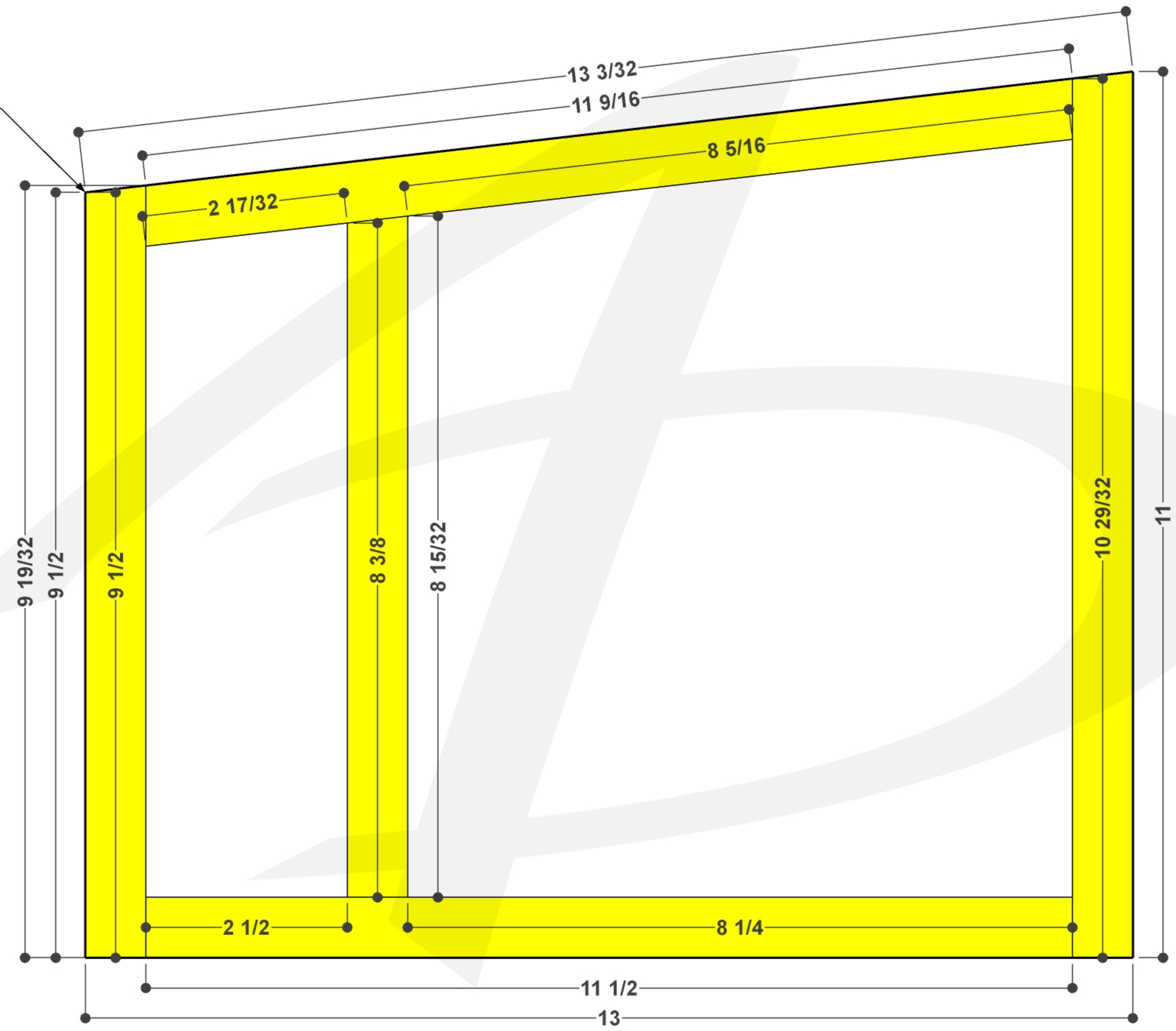
Subwoofer Information	
Make	Audio Dynamics
Model	AD4210 D4
Quantity	2

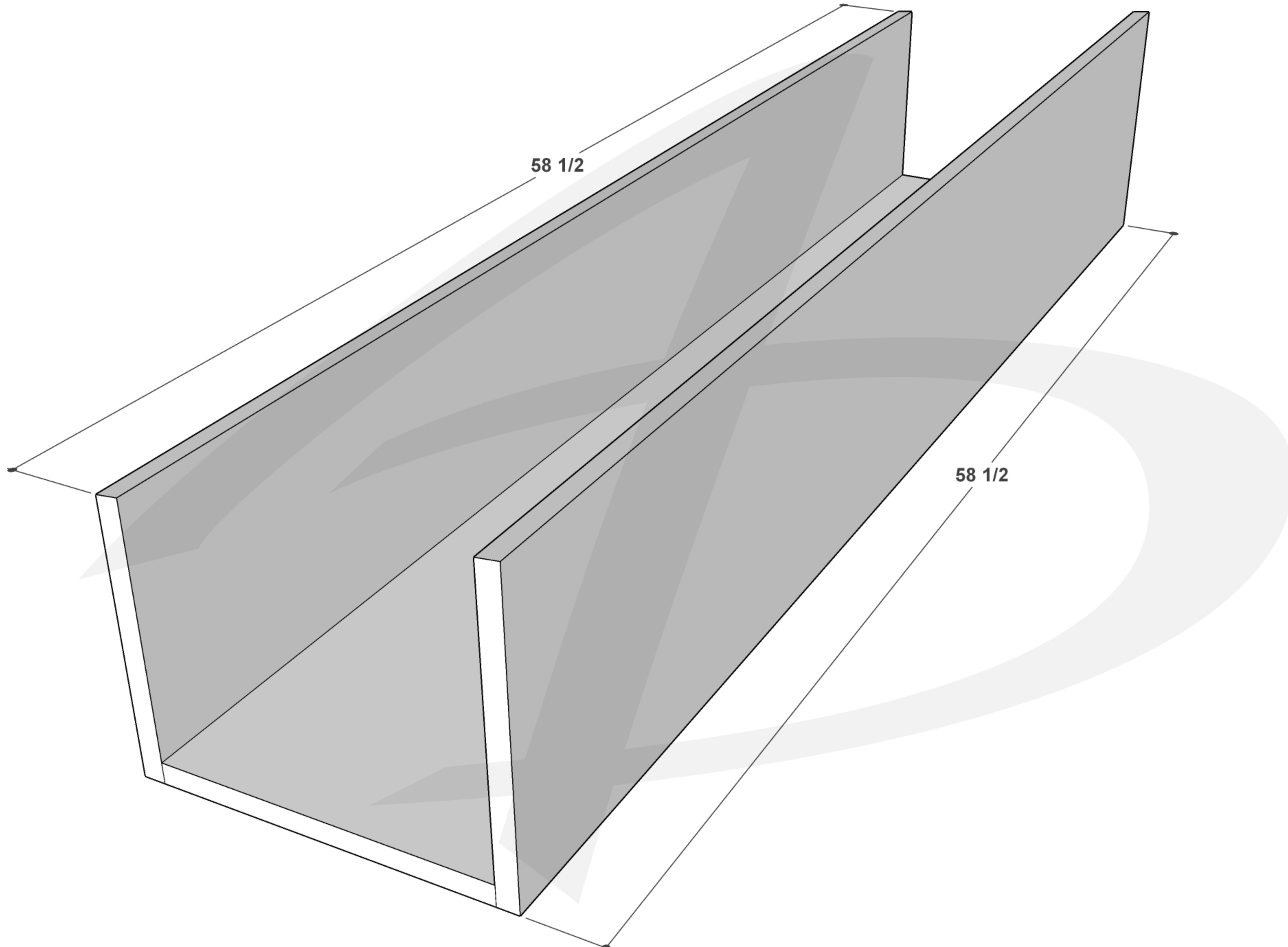
Performance Information	
SQ	Within the Vehicle
✓ SQL	✓ Outside the Vehicle
SPL	Metering Position

Metering Information		
Headrest	Peak Frequency	Hz
Dash / Windshield		
Foot Well		



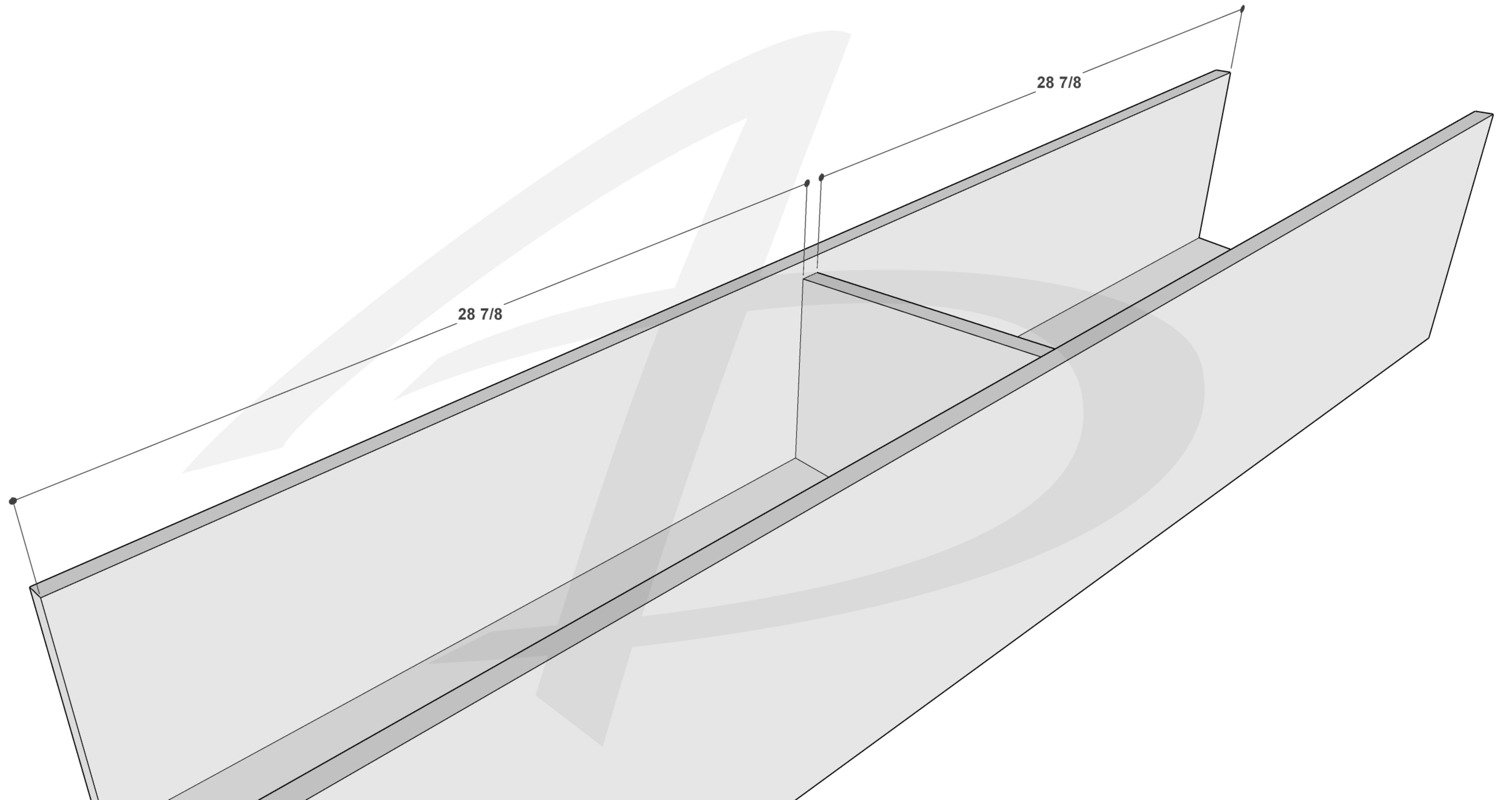
Use a 6.58 deg. blade
tilt setting for all non-90
deg cuts.

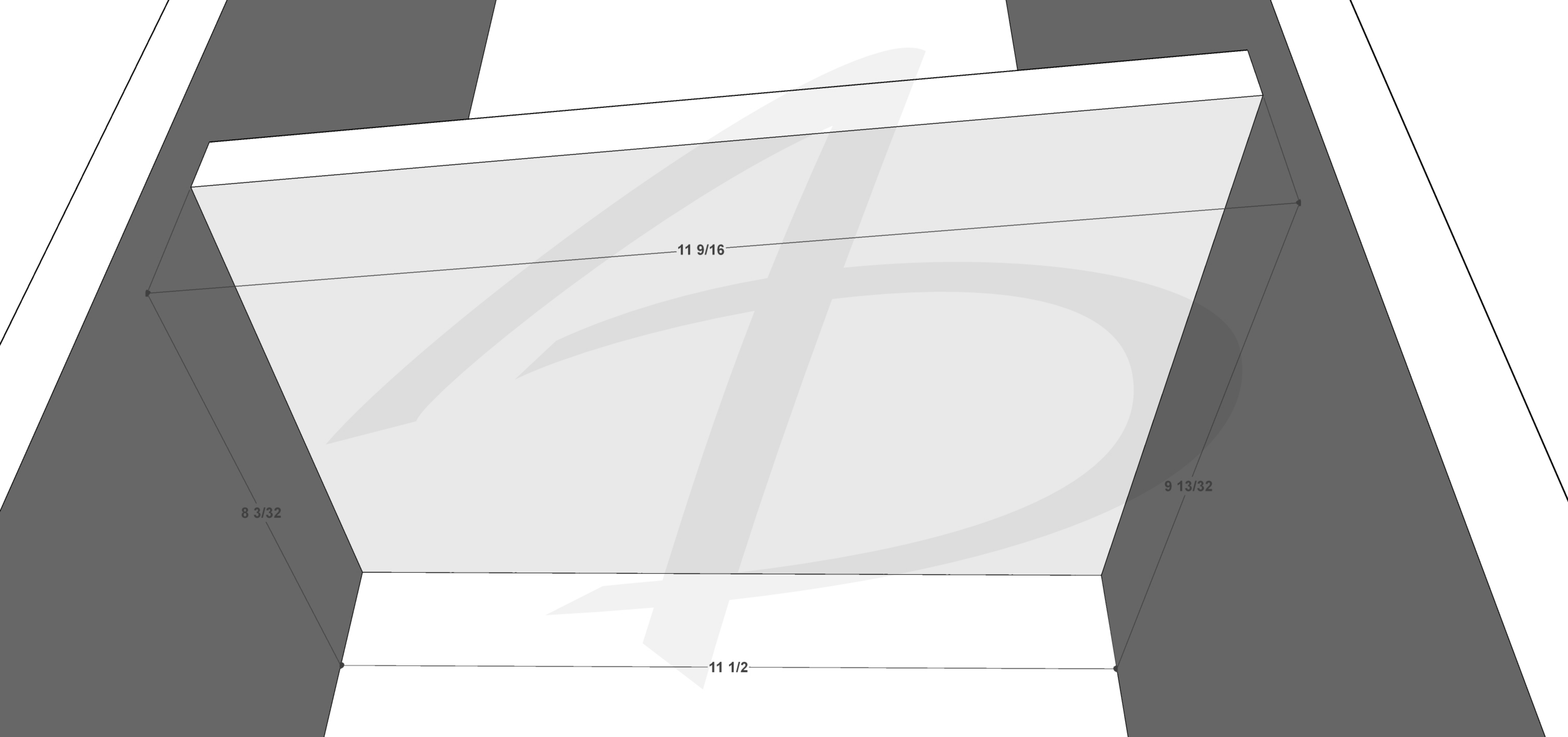




58 1/2

58 1/2



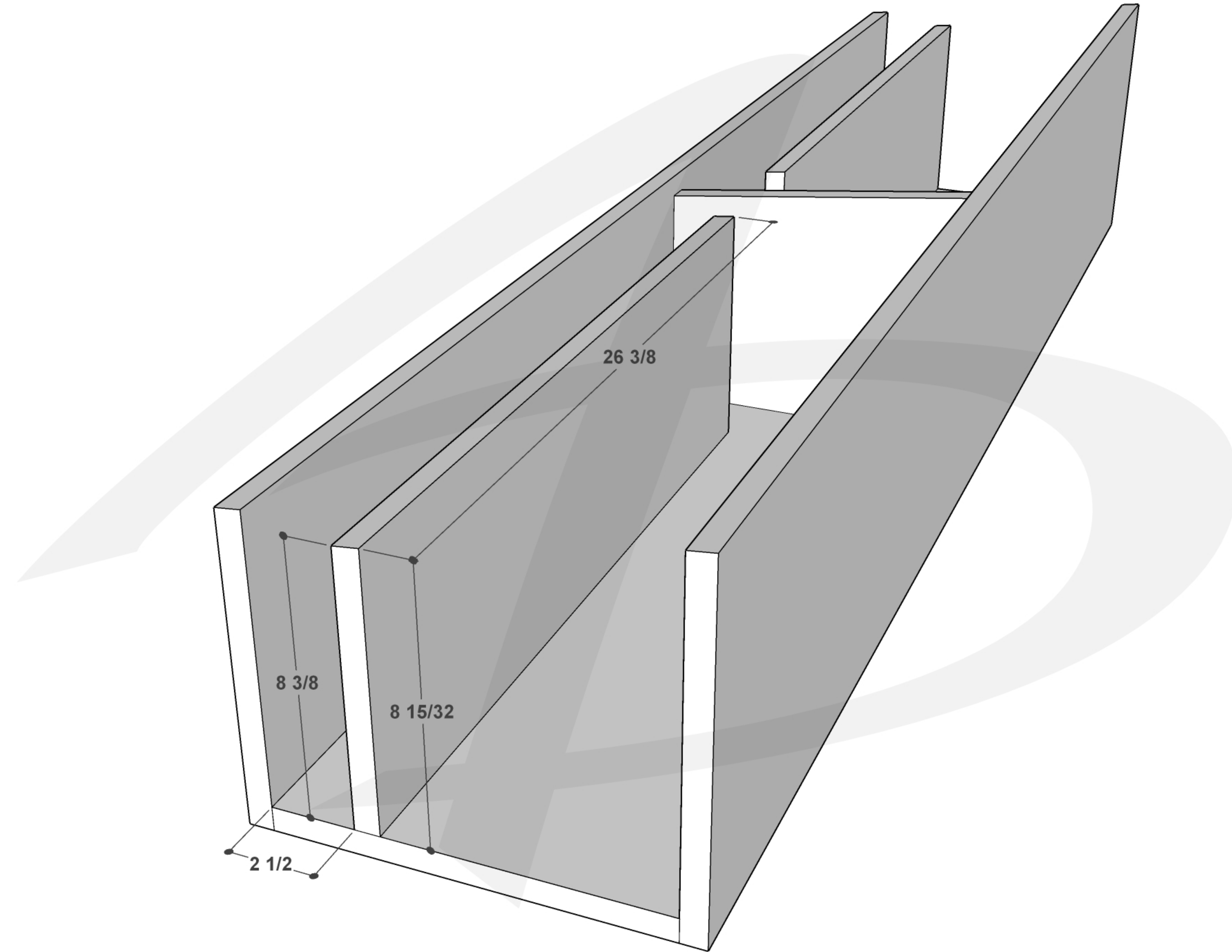


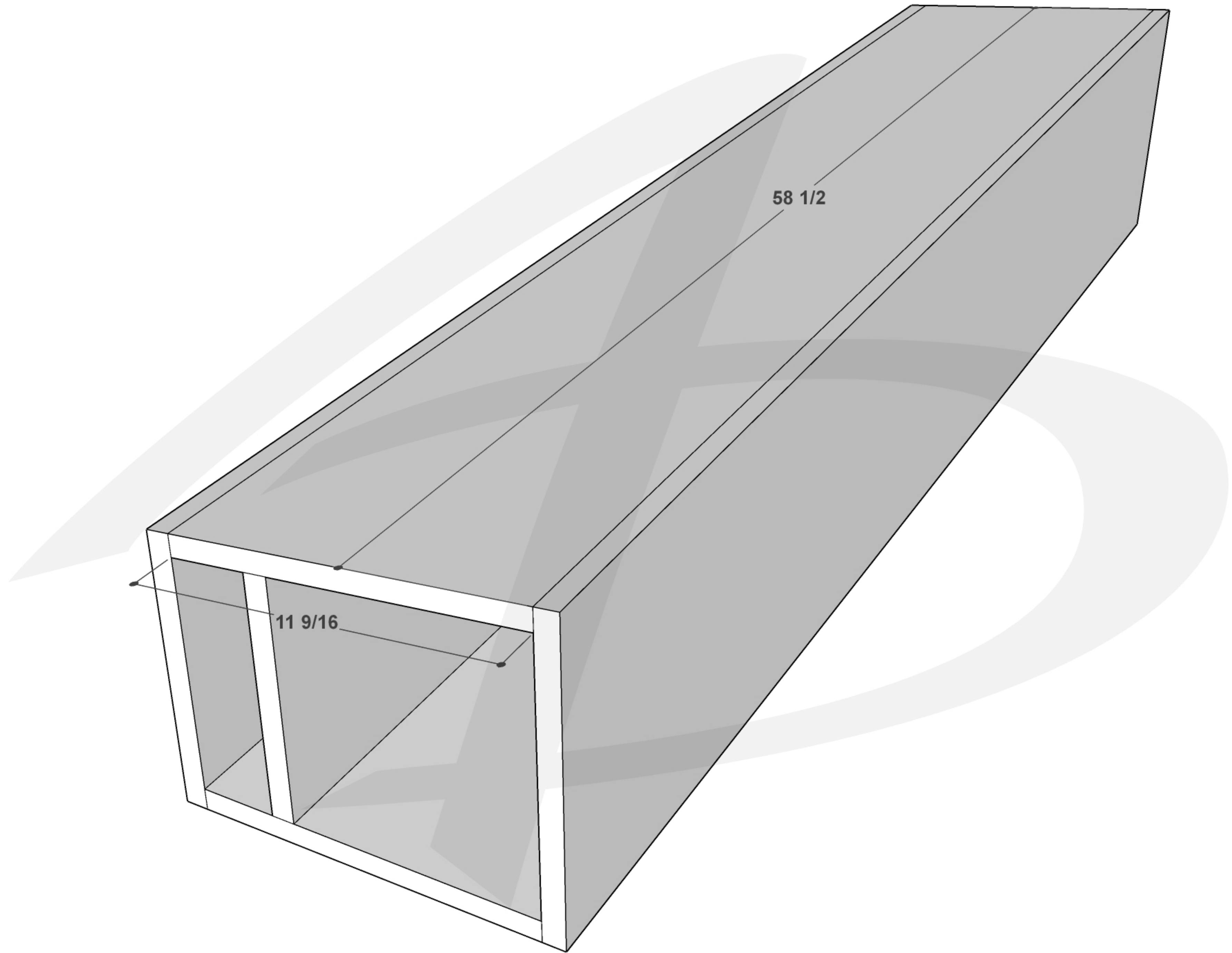
$8 \frac{3}{32}$

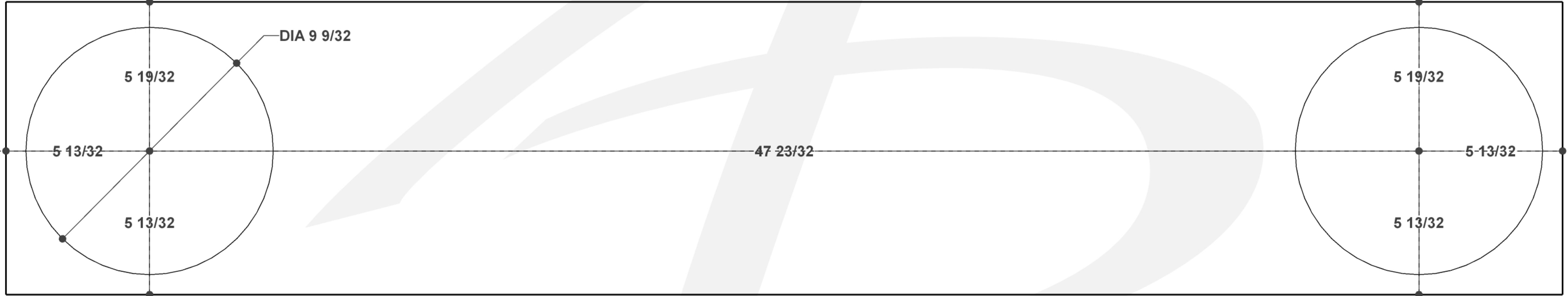
$11 \frac{9}{16}$

$11 \frac{1}{2}$

$9 \frac{13}{32}$







$5 \frac{19}{32}$

$5 \frac{13}{32}$

$5 \frac{13}{32}$

DIA 9 9/32

$47 \frac{23}{32}$

$5 \frac{19}{32}$

$5 \frac{13}{32}$

$5 \frac{13}{32}$

