

Vehicle Information	
Year	1986
Make	Oldsmobile
Model	Cutlass

Enclosure Information	
Design Type	Bass-Reflex
Placement	Trunk
Orientation	Position the enclosure with the subs directed rearward.



AUDIO DYNAMICS

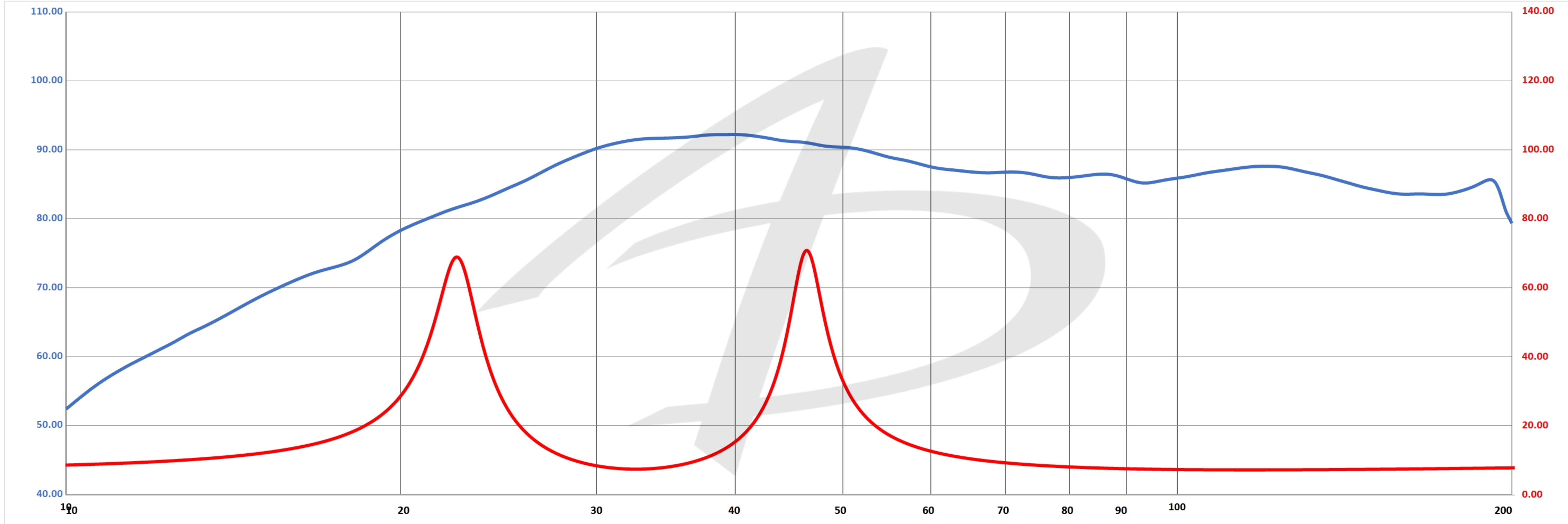
Special Notes

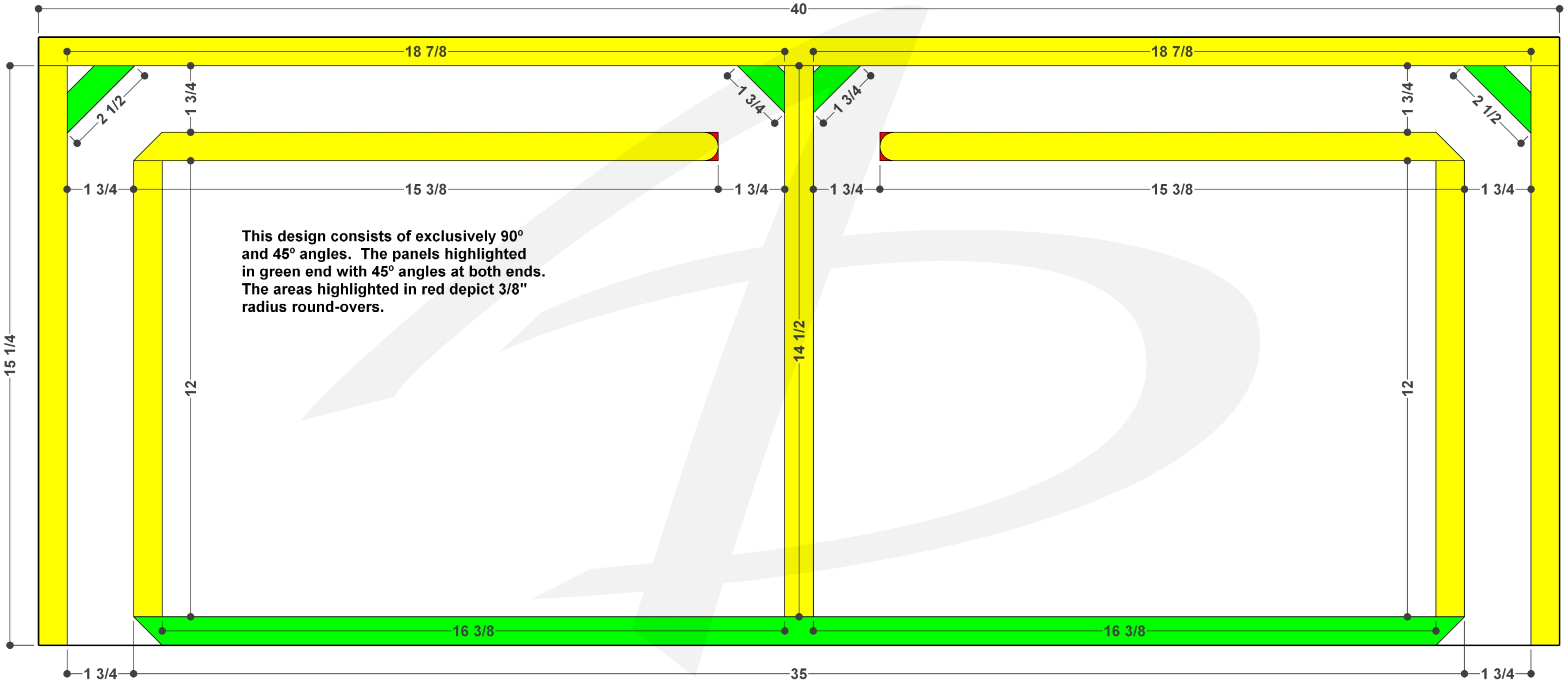
Amplifier Information	
Continuous Power Handling	1,200 W
Subsonic Filter Setting	30 Hz
Low Pass Filter Setting	55 Hz

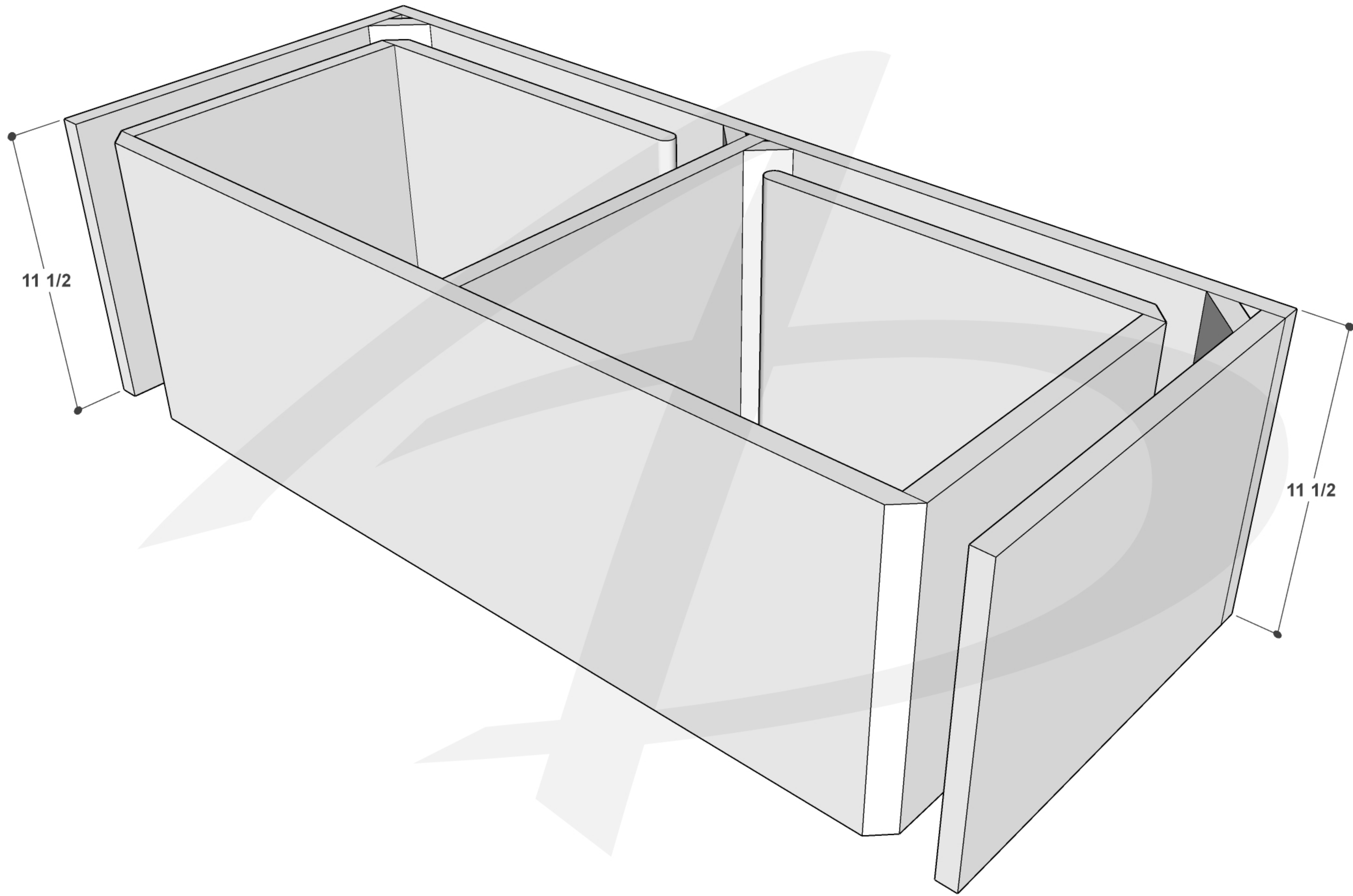
Subwoofer Information	
Make	Audio Dynamics
Model	AD3012 D4
Quantity	2

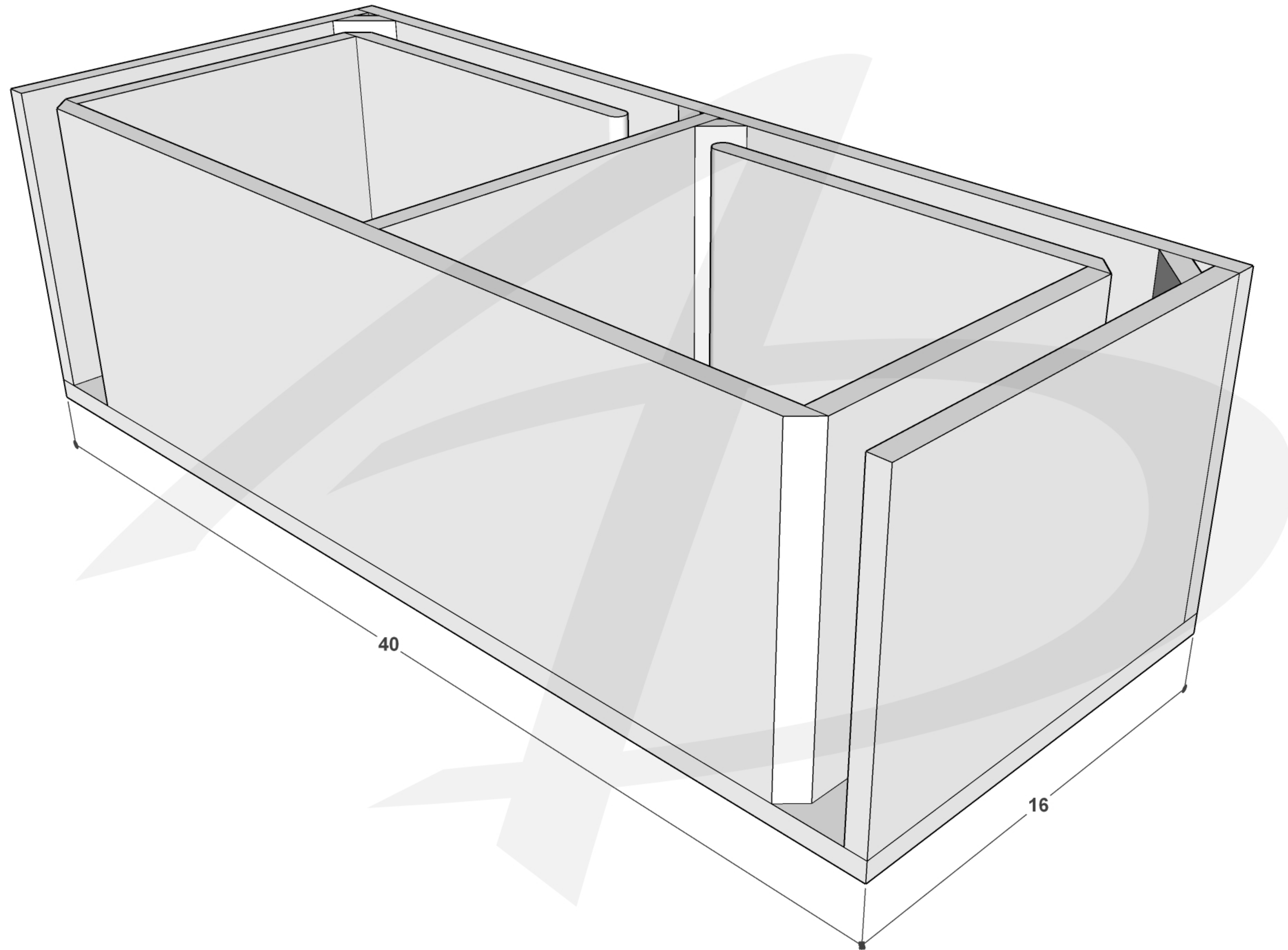
Performance Information	
SQ	<input checked="" type="checkbox"/> Within the Vehicle
<input checked="" type="checkbox"/> SQL	Outside the Vehicle
SPL	Metering Position

Metering Information		
Headrest	Peak Frequency	Hz
Dash / Windshield		
Foot Well		



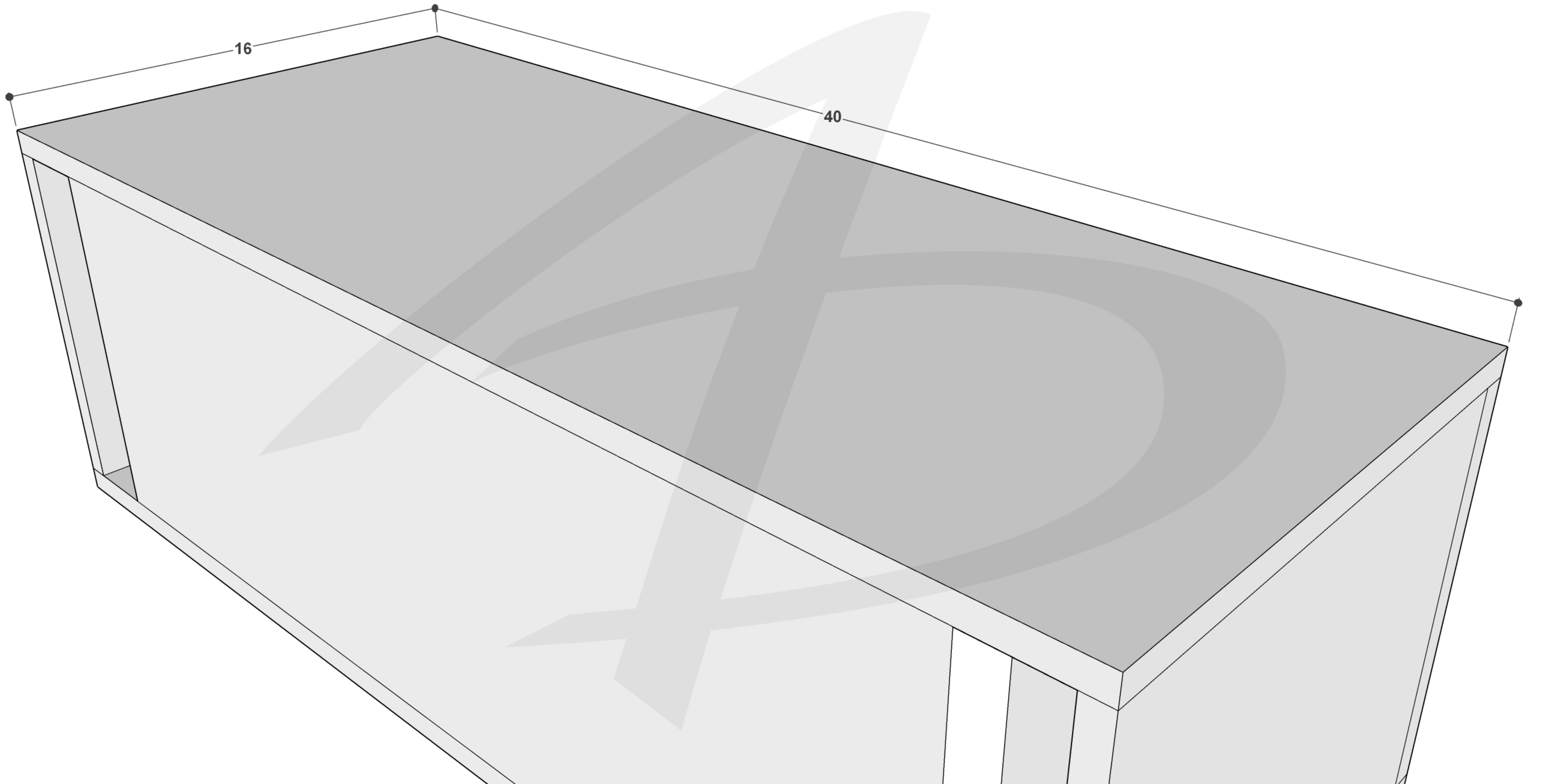


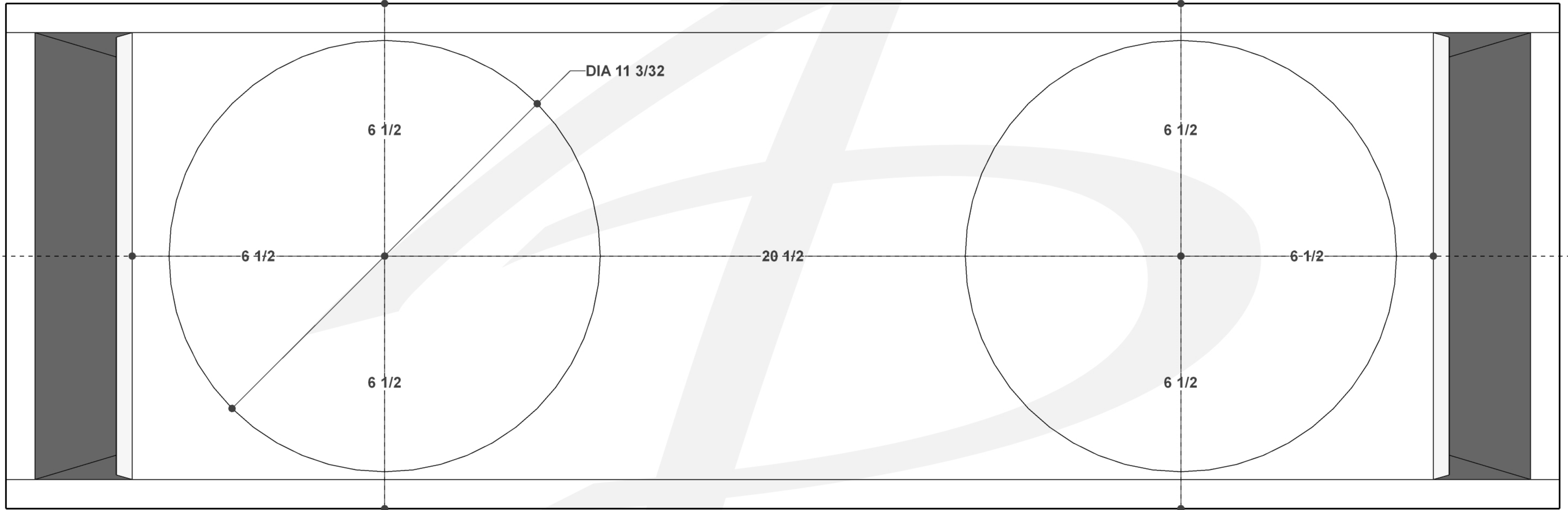




40

16





$6 \frac{1}{2}$

$6 \frac{1}{2}$

$6 \frac{1}{2}$

DIA $11 \frac{3}{32}$

$20 \frac{1}{2}$

$6 \frac{1}{2}$

$6 \frac{1}{2}$

$6 \frac{1}{2}$

