

Vehicle Information	
Year	2015
Make	Dodge
Model	Challenger

Enclosure Information	
Design Type	Bass-Reflex
Placement	Trunk
Orientation	Position the enclosure with the subs directed rearward, vent along the passenger side.



AUDIO DYNAMICS

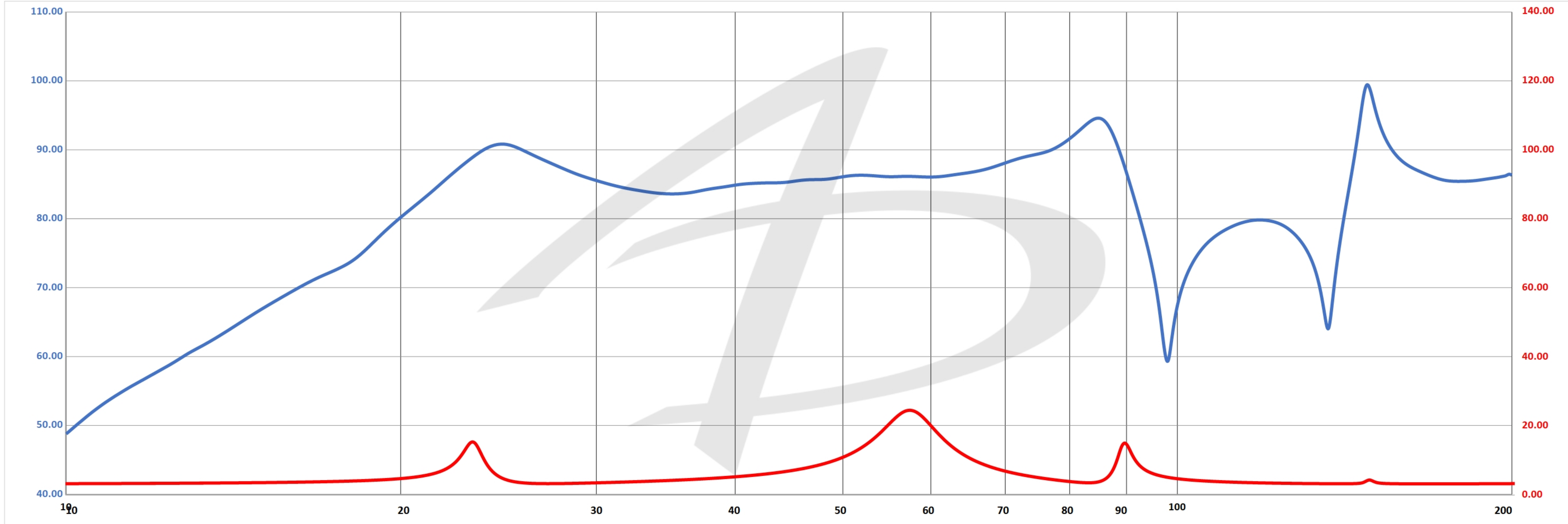
Special Notes

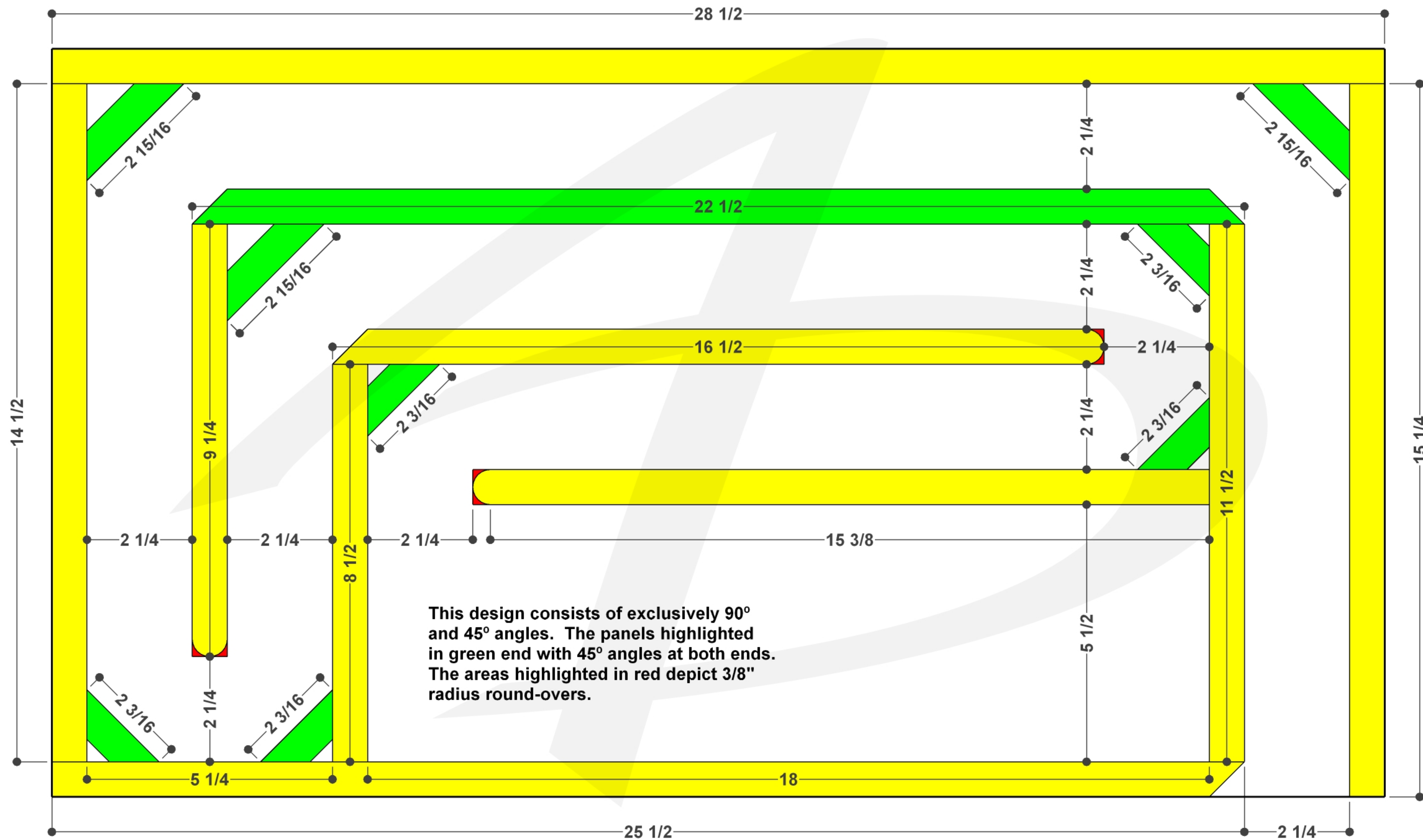
Amplifier Information	
Continuous Power Handling	1,200 W
Subsonic Filter Setting	24 Hz
Low Pass Filter Setting	55 Hz

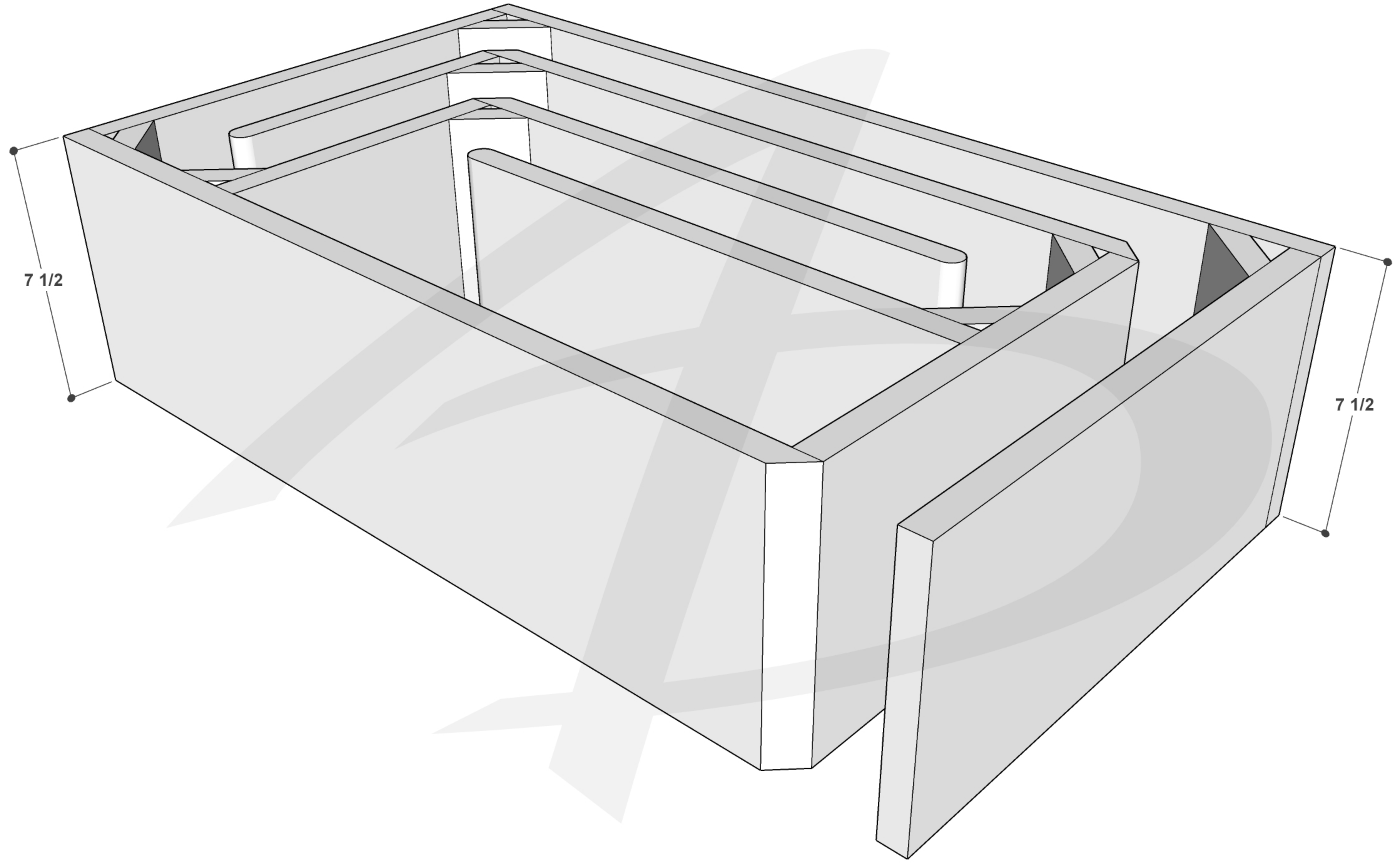
Subwoofer Information	
Make	Audio Dynamics
Model	AD3008 D4
Quantity	2

Performance Information	
SQ	<input checked="" type="checkbox"/> Within the Vehicle
<input checked="" type="checkbox"/> SQL	Outside the Vehicle
SPL	Metering Position

Metering Information		
Headrest	Peak Frequency	Hz
Dash / Windshield		
Foot Well		

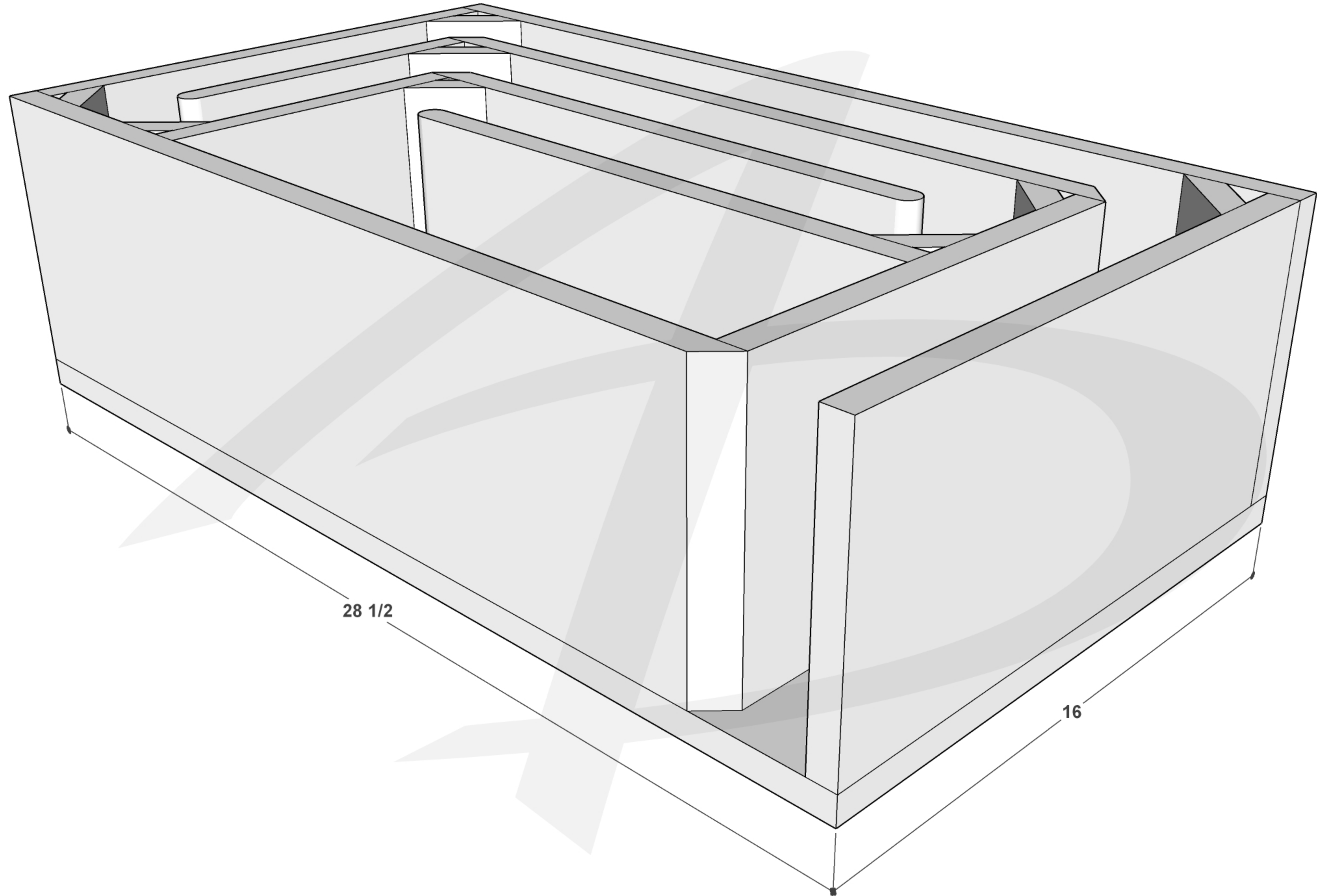






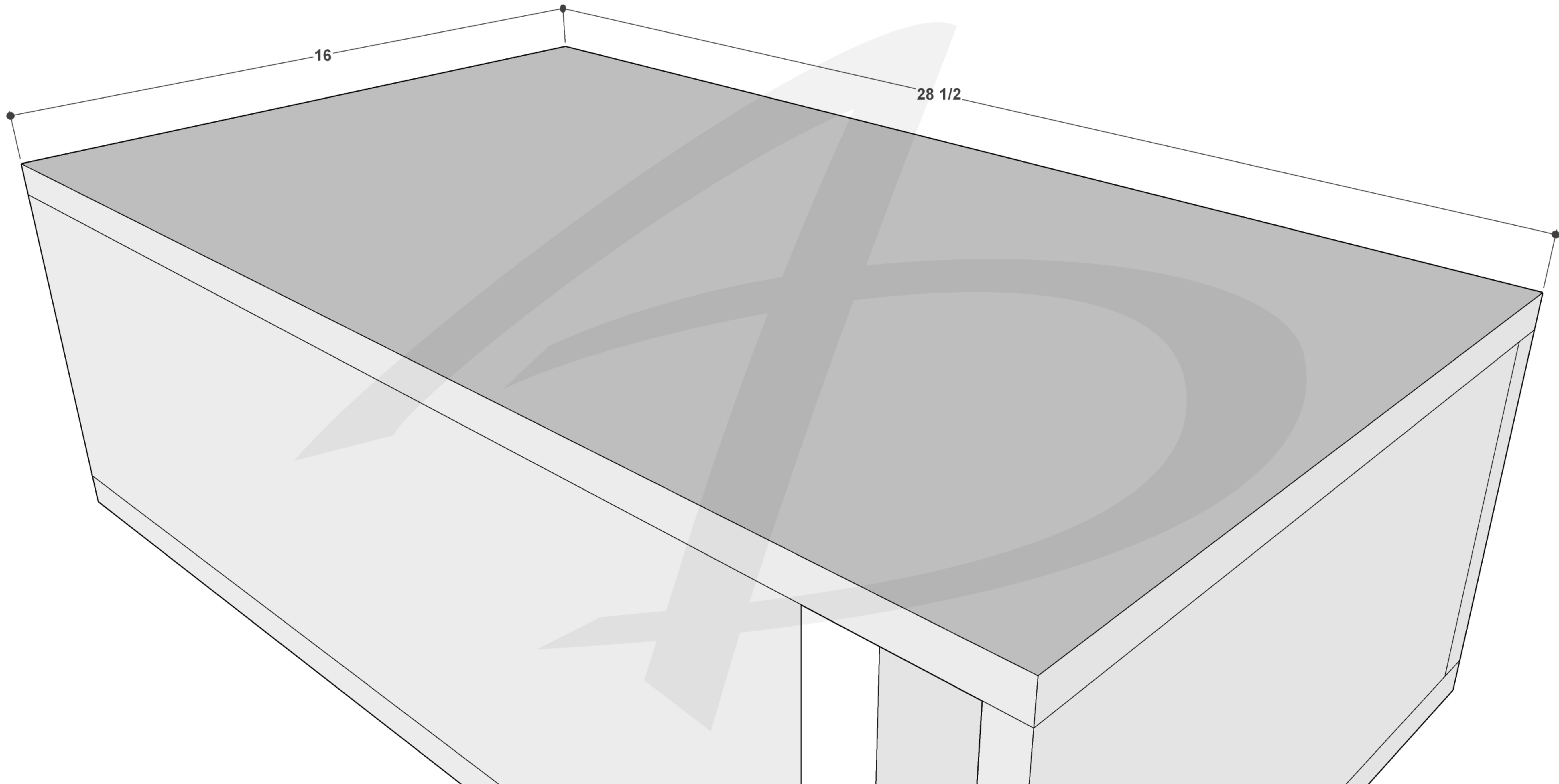
7 1/2

7 1/2



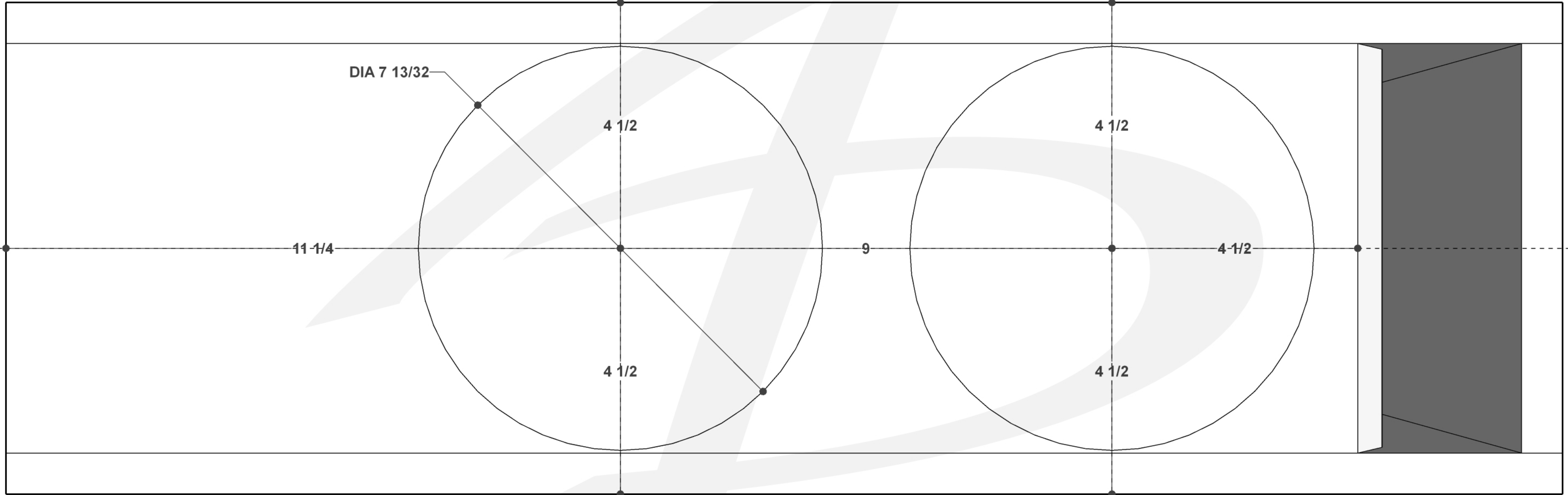
28 1/2

16



16

28 1/2



DIA 7 13/32

4 1/2

4 1/2

11 1/4

9

4 1/2

4 1/2

4 1/2

