

Vehicle Information	
Year	2007
Make	Mini
Model	Cooper

Enclosure Information	
Design Type	Bass-Reflex
Placement	Cargo area
Orientation	Position the enclosure with the subs directed downward.



AUDIO DYNAMICS

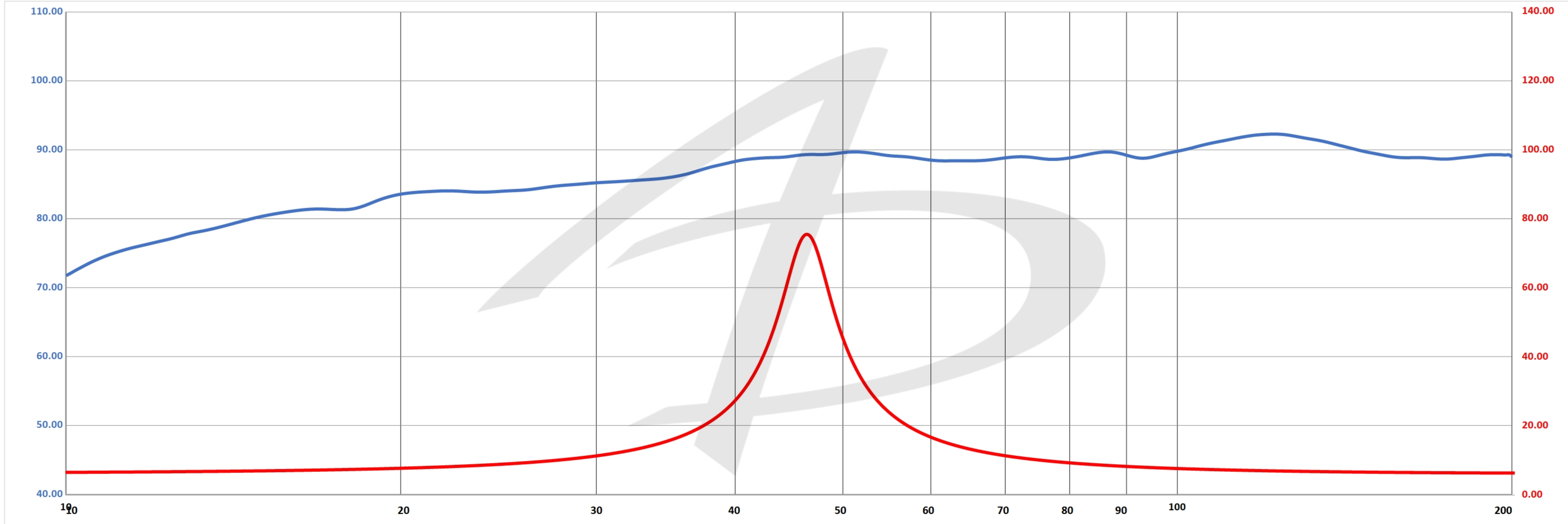
Special Notes

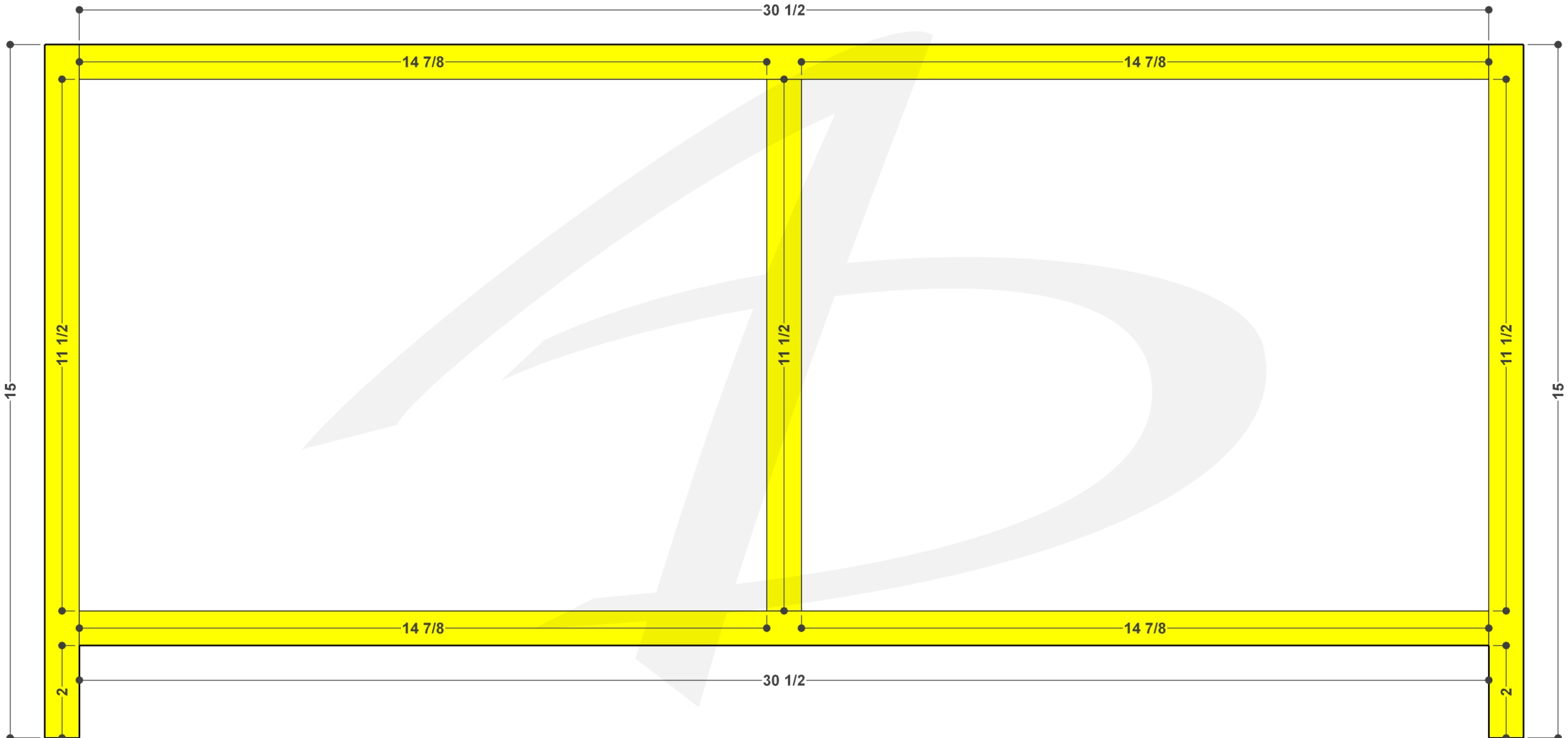
Amplifier Information	
Continuous Power Handling	600 W
Subsonic Filter Setting	36 Hz
Low Pass Filter Setting	70 Hz

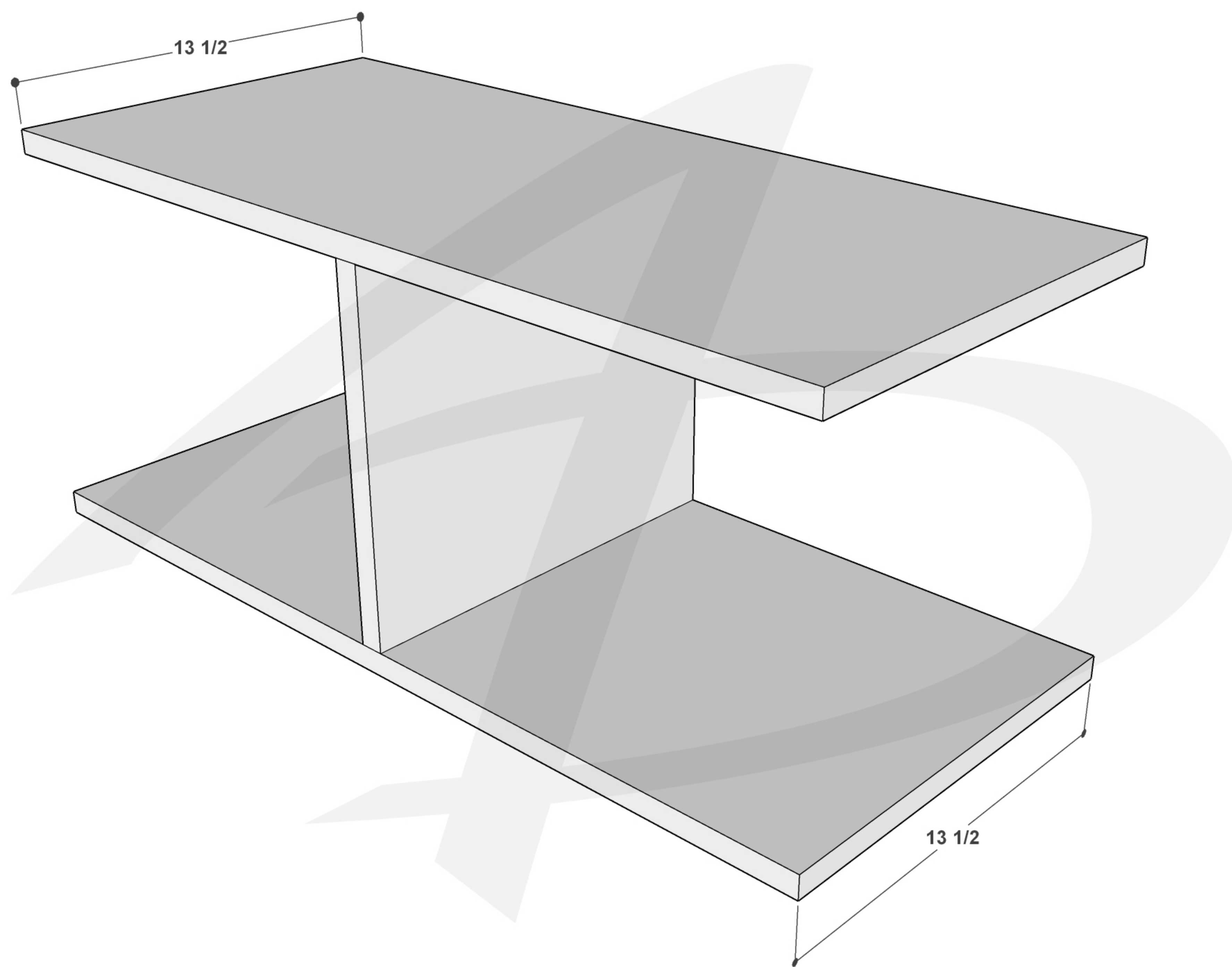
Subwoofer Information	
Make	Audio Dynamics
Model	AD2512 D4
Quantity	2

Performance Information	
SQ	<input checked="" type="checkbox"/> Within the Vehicle
<input checked="" type="checkbox"/> SQL	Outside the Vehicle
SPL	Metering Position

Metering Information		
Headrest	Peak Frequency	Hz
Dash / Windshield		
Foot Well		







13 1/2

13 1/2

