



**AUDIO DYNAMICS**

Vehicle Information	
Year	2011
Make	Kia
Model	Forte

Enclosure Information	
Design Type	Bass-Reflex
Placement	Cargo area
Orientation	Position the enclosure with the subs directed rearward along the driver side, vent along the passenger side.

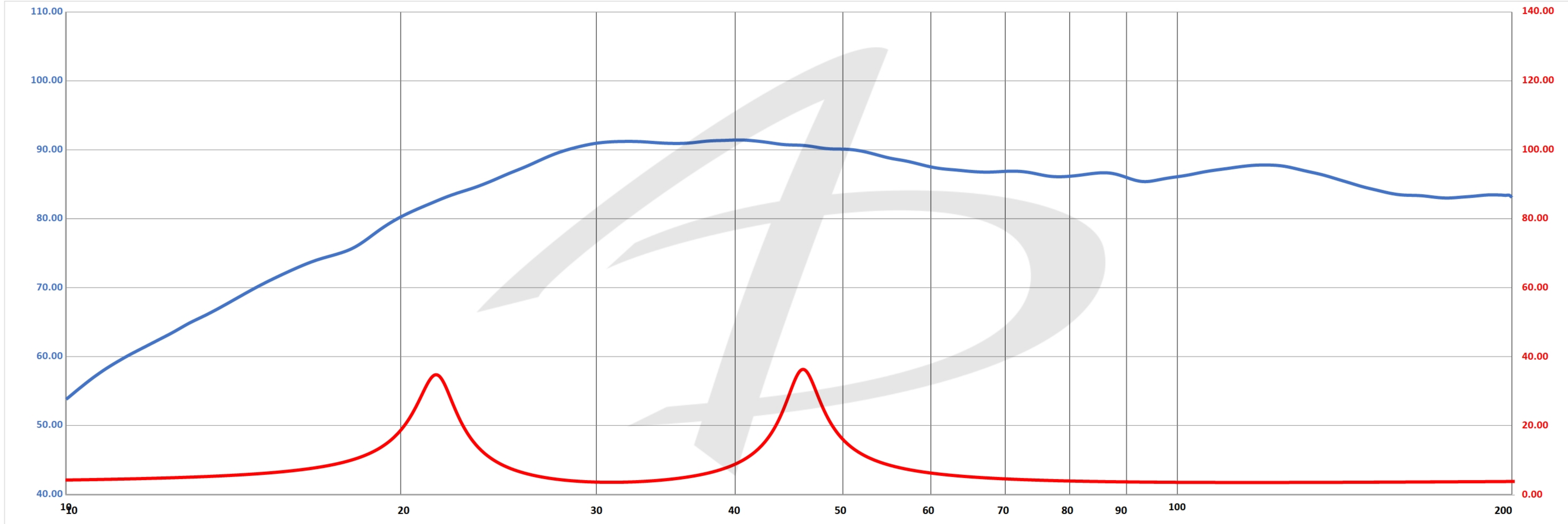
Special Notes

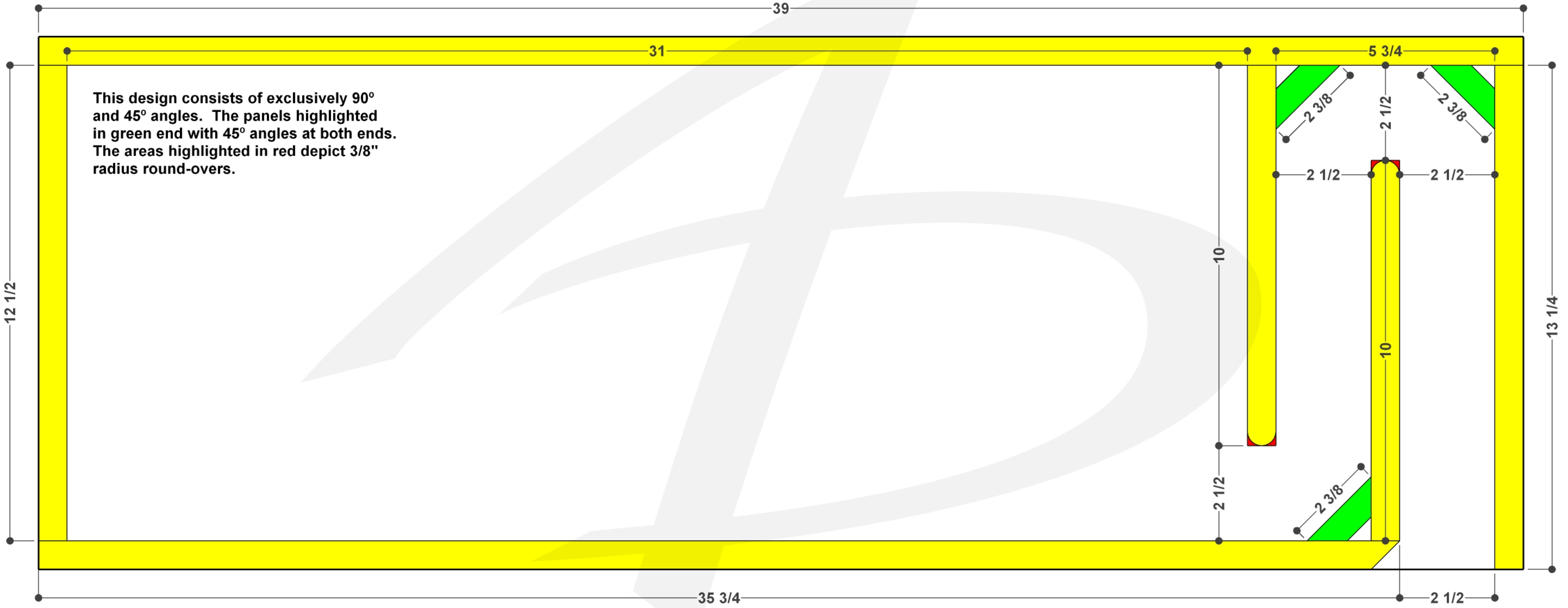
Amplifier Information	
Continuous Power Handling	1,200 W
Subsonic Filter Setting	28 Hz
Low Pass Filter Setting	60 Hz

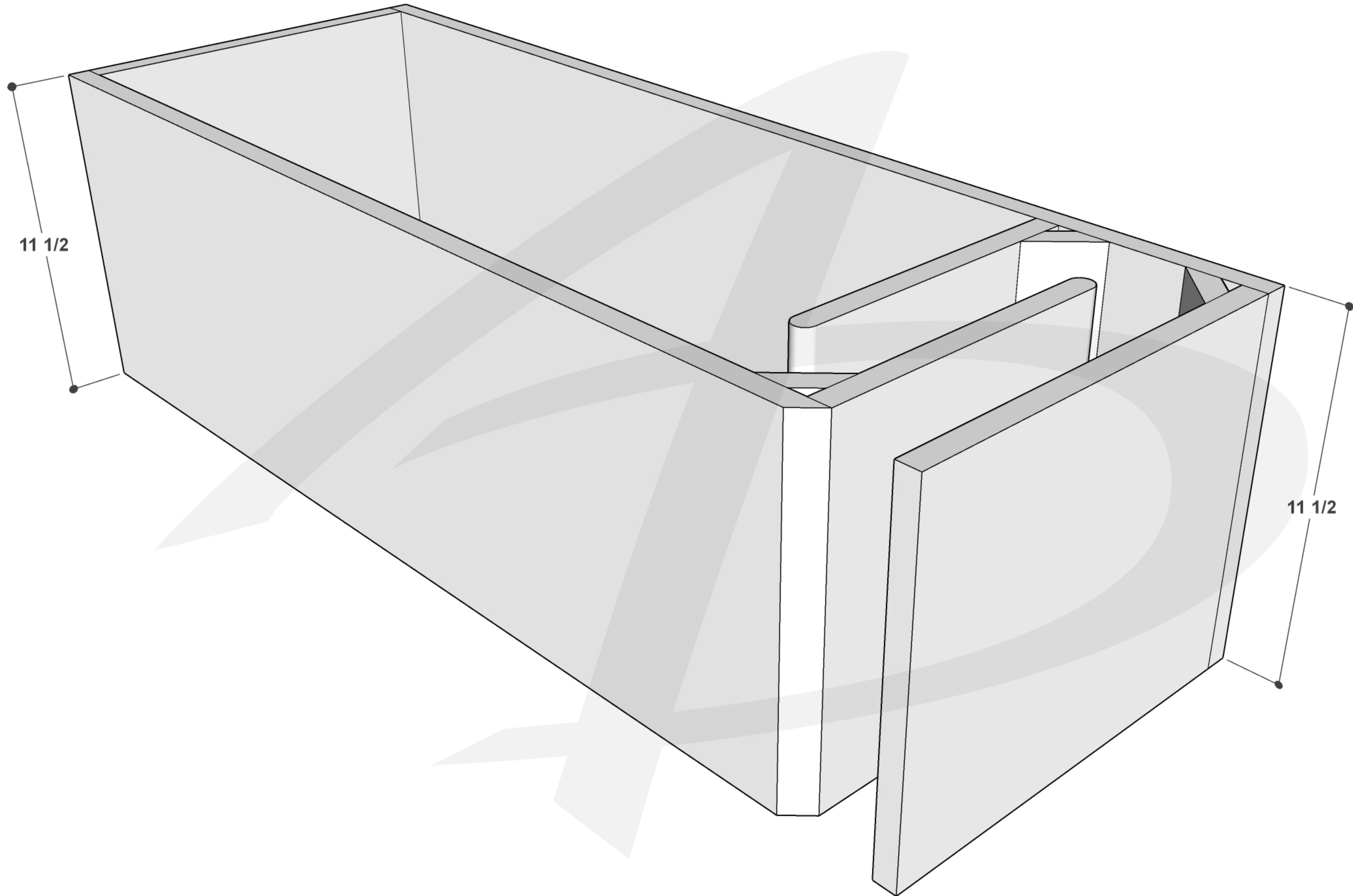
Subwoofer Information	
Make	Audio Dynamics
Model	AD4012 D4
Quantity	2

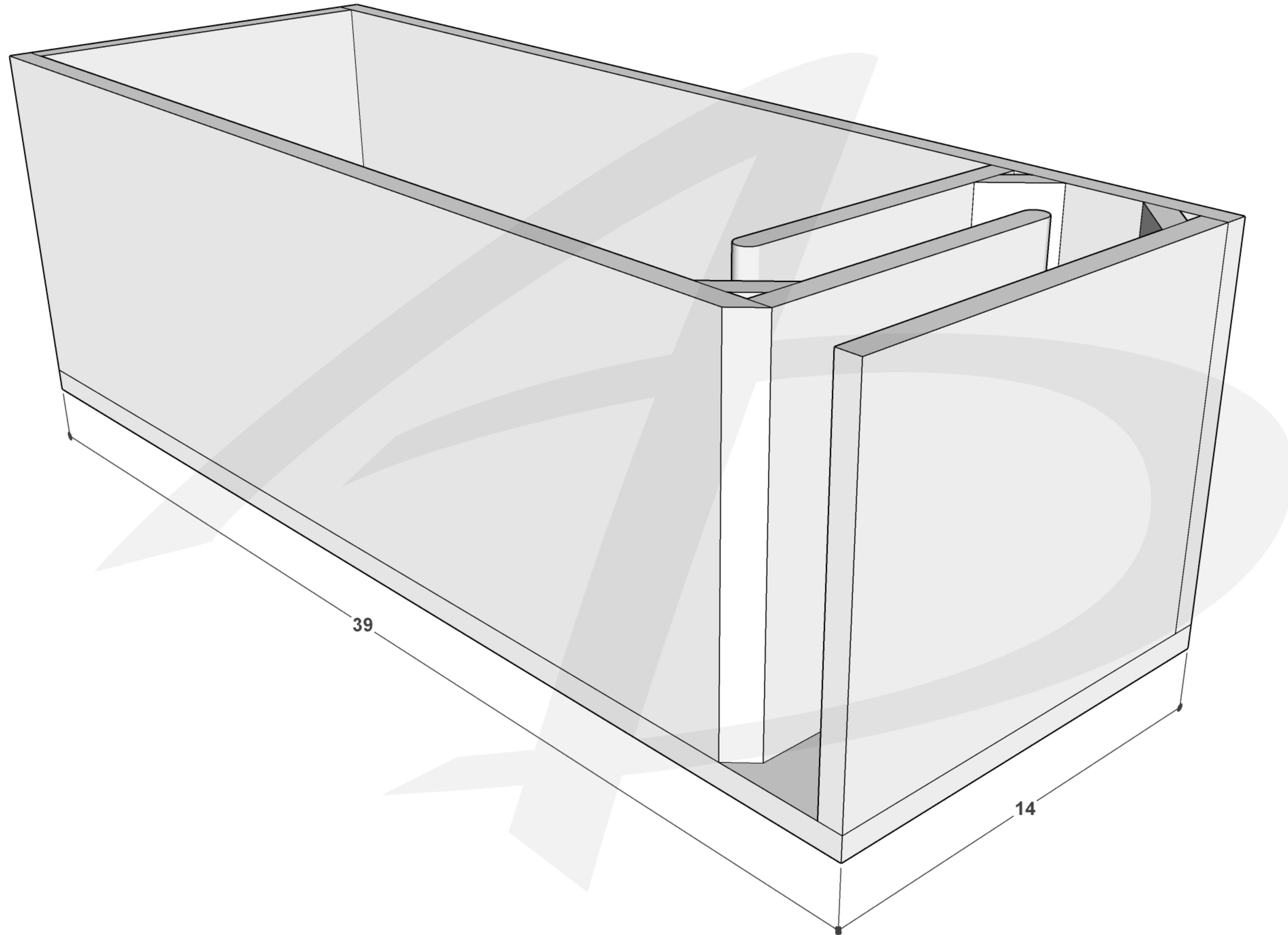
Performance Information	
SQ	<input checked="" type="checkbox"/> Within the Vehicle
<input checked="" type="checkbox"/> SQL	Outside the Vehicle
SPL	Metering Position

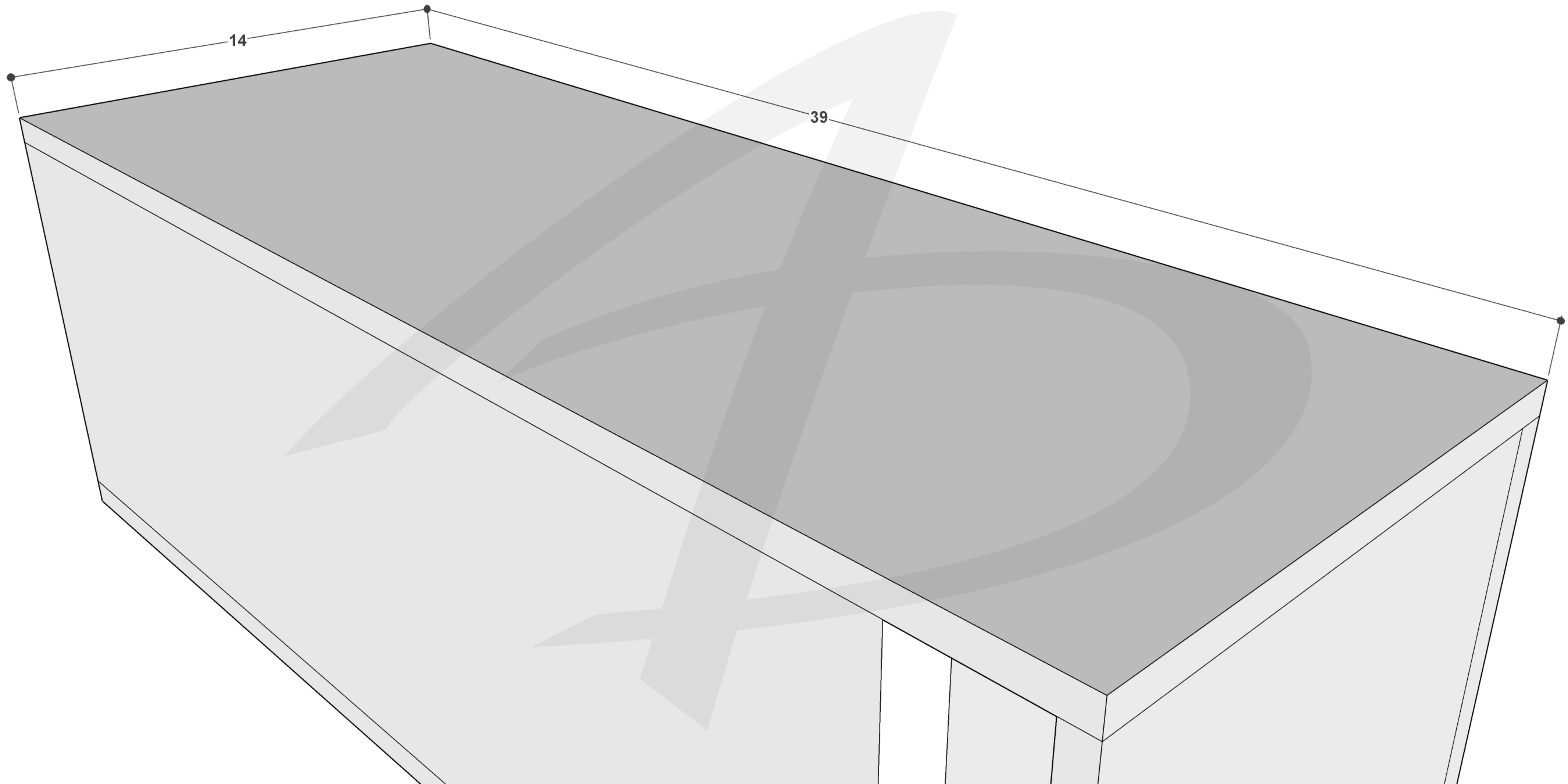
Metering Information		
Headrest	Peak Frequency	Hz
Dash / Windshield		
Foot Well		

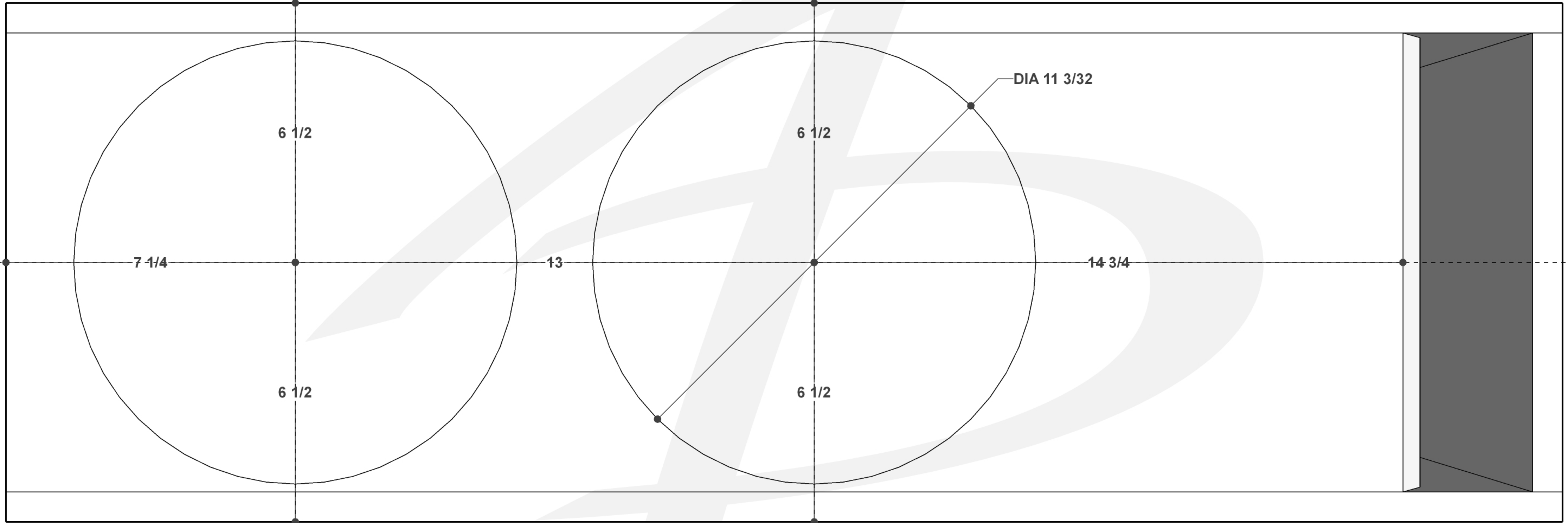












$6 \frac{1}{2}$

$7 \frac{1}{4}$

$6 \frac{1}{2}$

$13$

$6 \frac{1}{2}$

$6 \frac{1}{2}$

DIA  $11 \frac{3}{32}$

$14 \frac{3}{4}$

