

Vehicle Information	
Year	2005
Make	Ford
Model	F-150

Enclosure Information	
Design Type	Bass-Reflex
Placement	In place of the rear seat.
Orientation	Position the enclosure with the subs directed downward along the driver side, vent directed forward along the passenger side.



AUDIO DYNAMICS

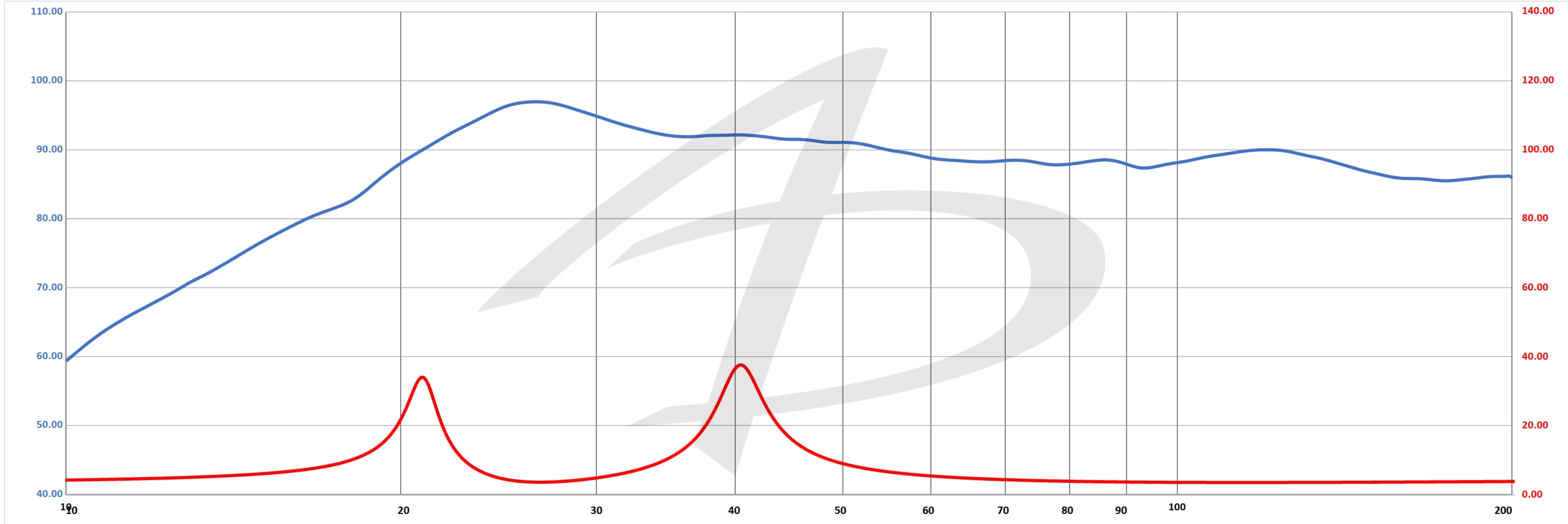
Special Notes
Add legs for proper driver clearance.

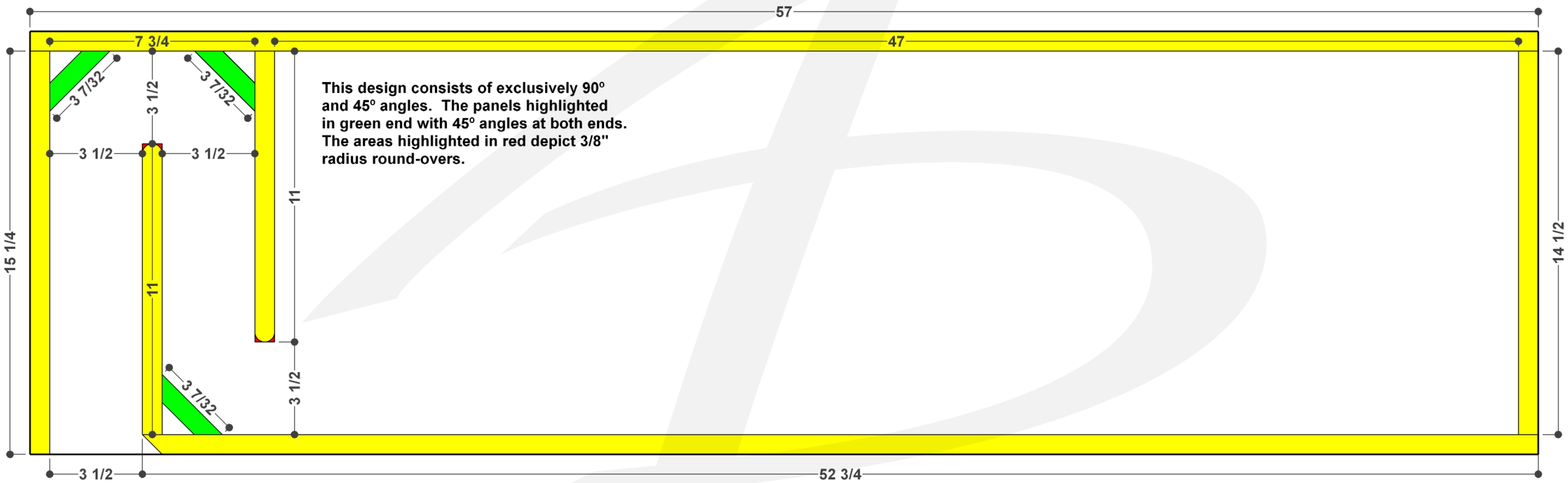
Amplifier Information	
Continuous Power Handling	1,200 W
Subsonic Filter Setting	24 Hz
Low Pass Filter Setting	55 Hz

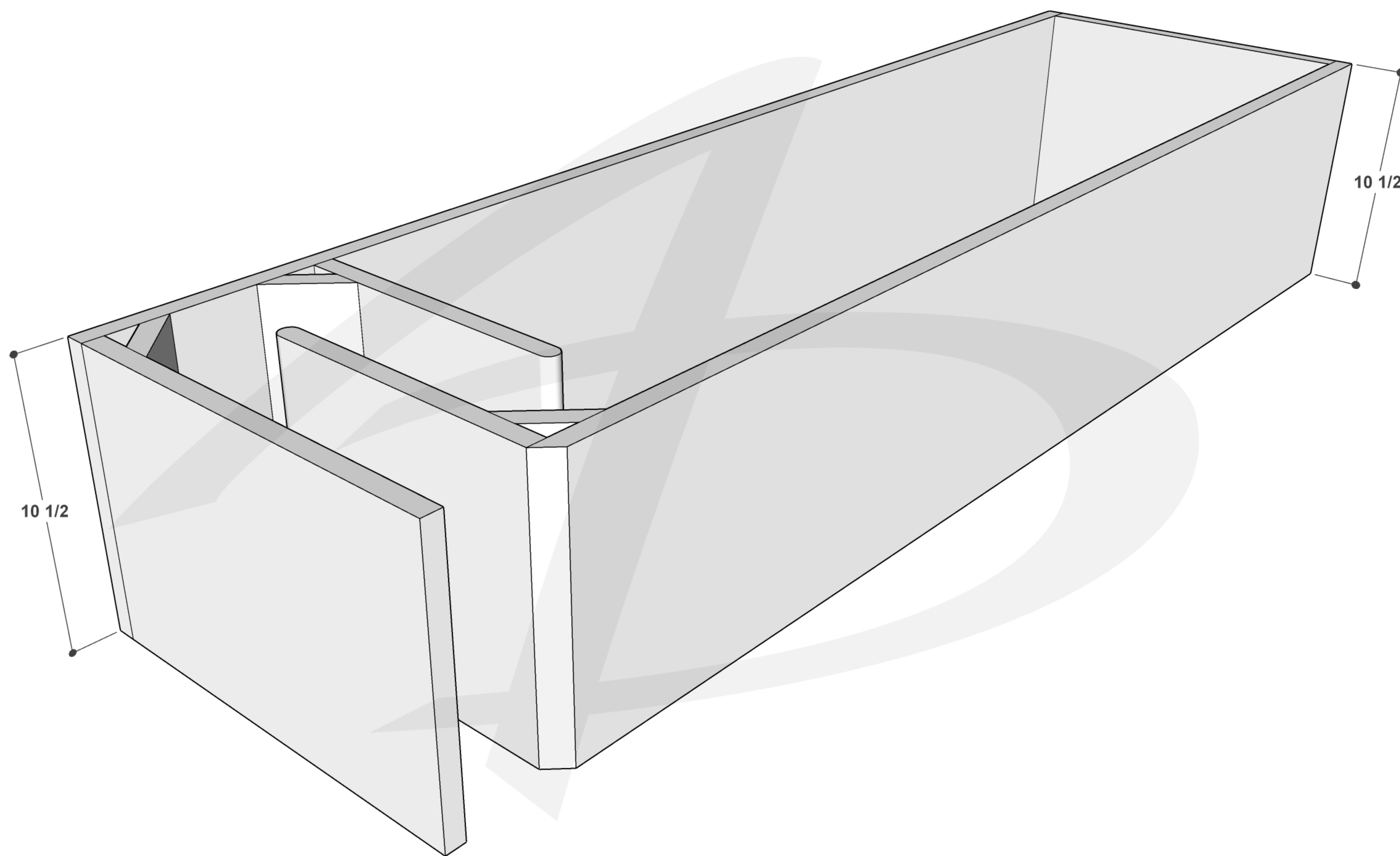
Subwoofer Information	
Make	Audio Dynamics
Model	AD3012 D4
Quantity	2

Performance Information	
SQ	<input checked="" type="checkbox"/> Within the Vehicle
<input checked="" type="checkbox"/> SQL	Outside the Vehicle
SPL	Metering Position

Metering Information		
Headrest	Peak Frequency	Hz
Dash / Windshield		
Foot Well		



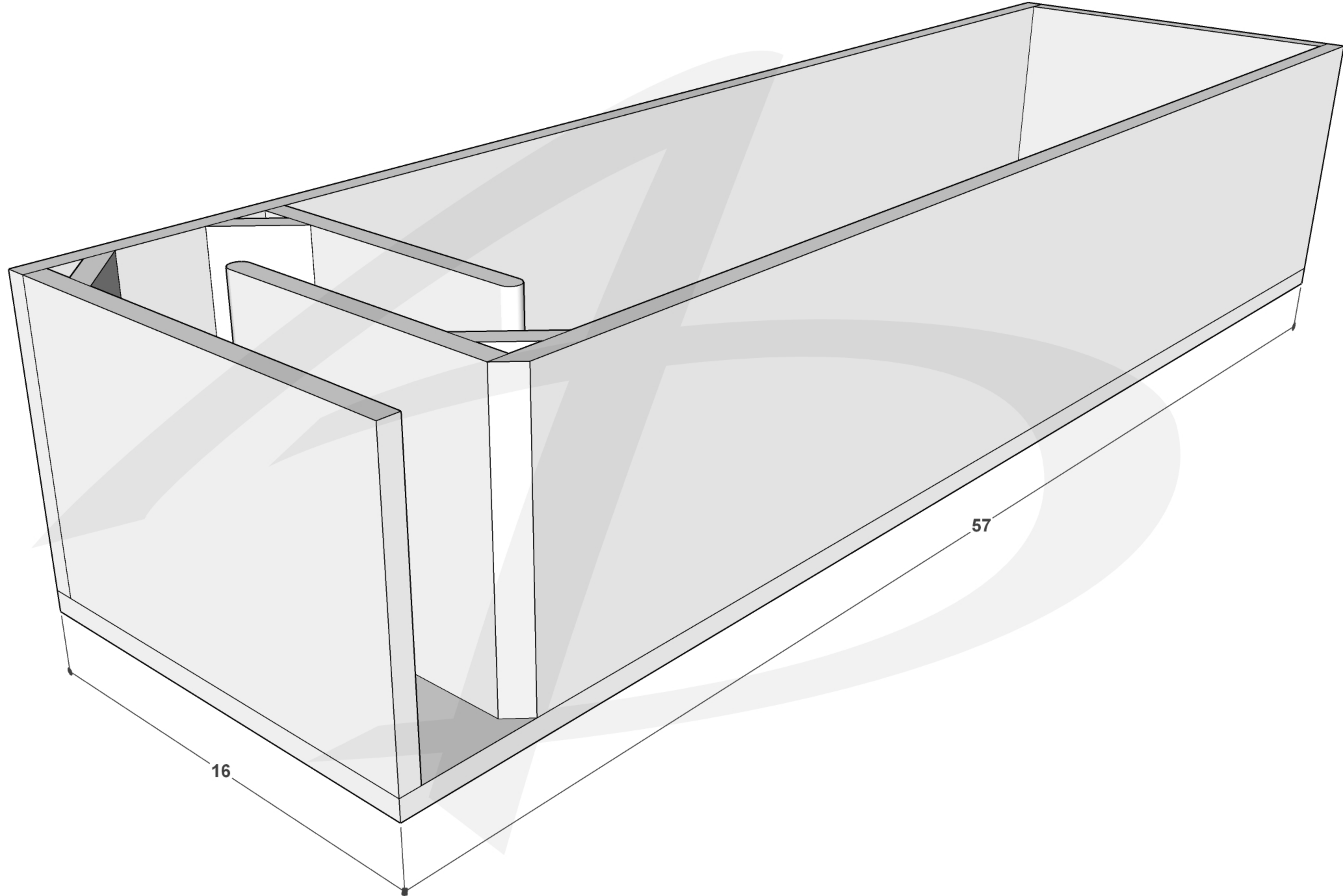


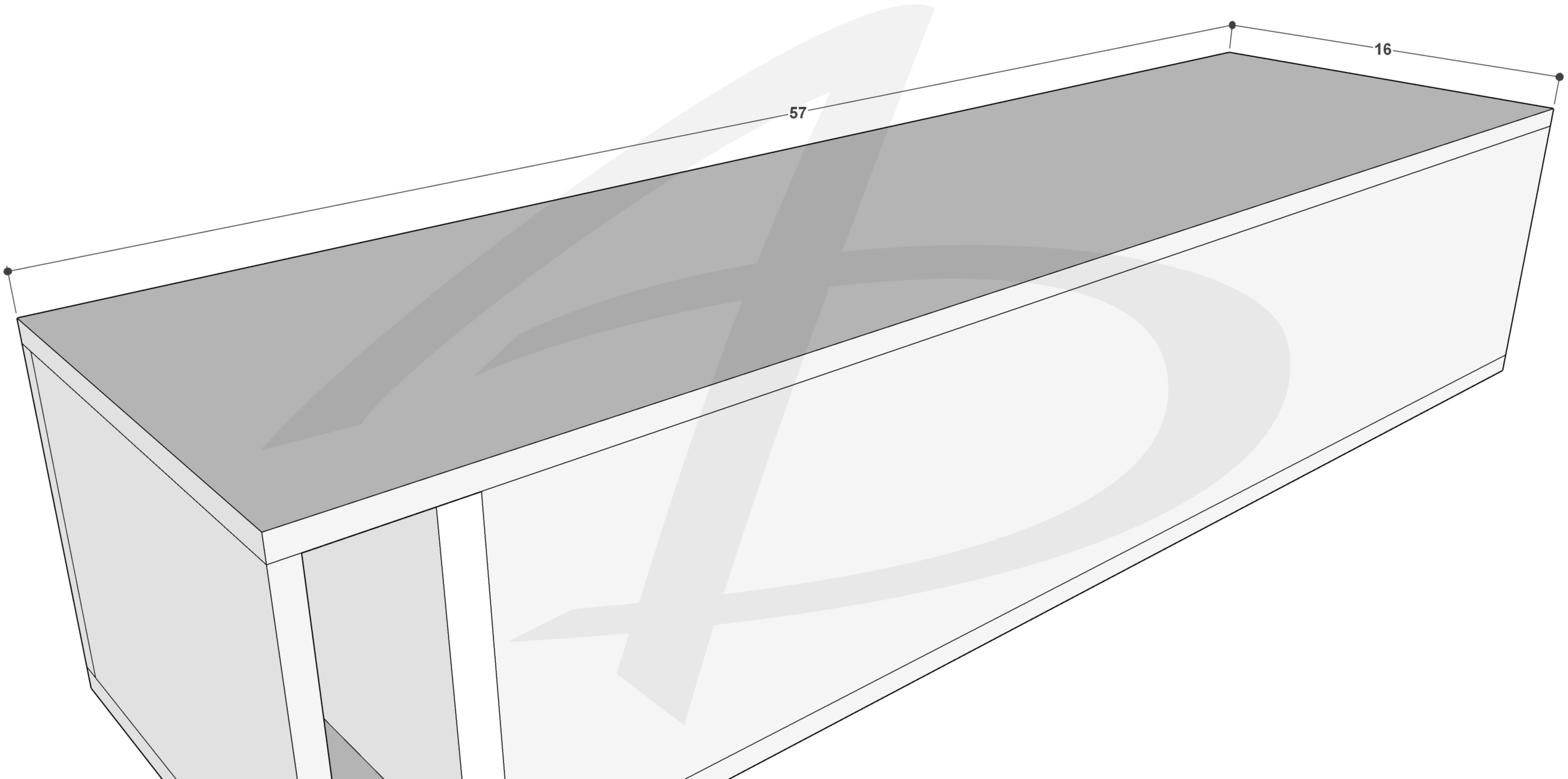


10 1/2

10 1/2

10 1/2





57

16

