

Vehicle Information	
Year	2004
Make	Dodge
Model	Ram 2500

Enclosure Information	
Design Type	Sealed
Placement	Center console
Orientation	Position the enclosure with the sub directed forward.



AUDIO DYNAMICS

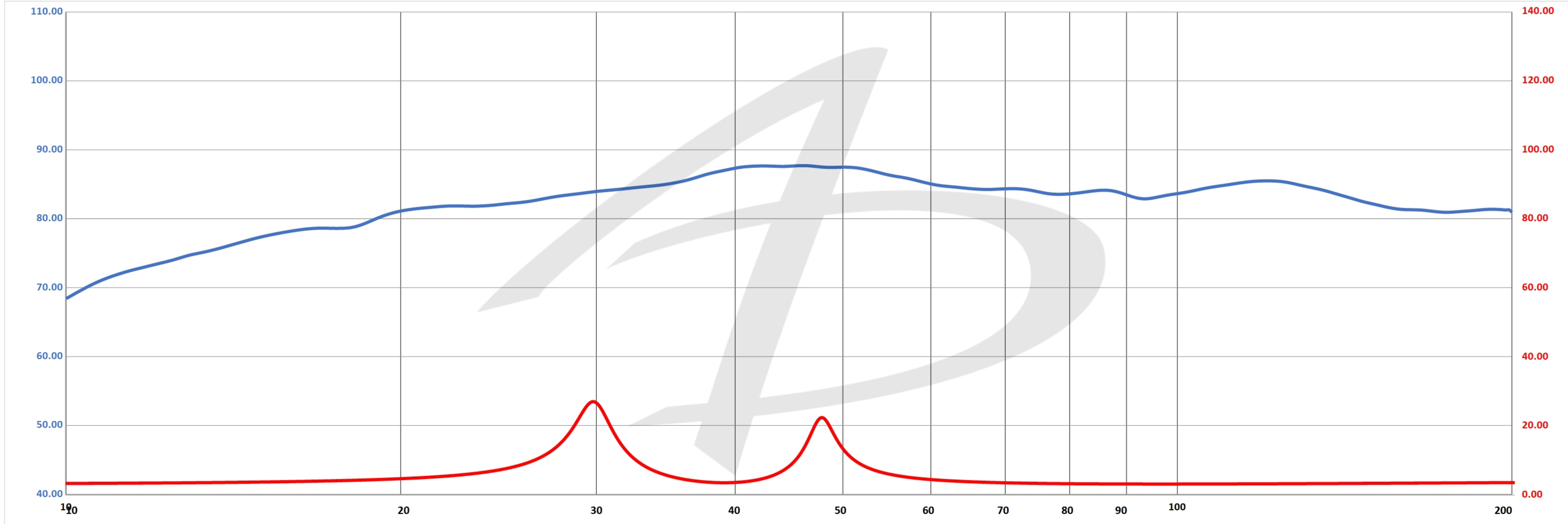
Special Notes

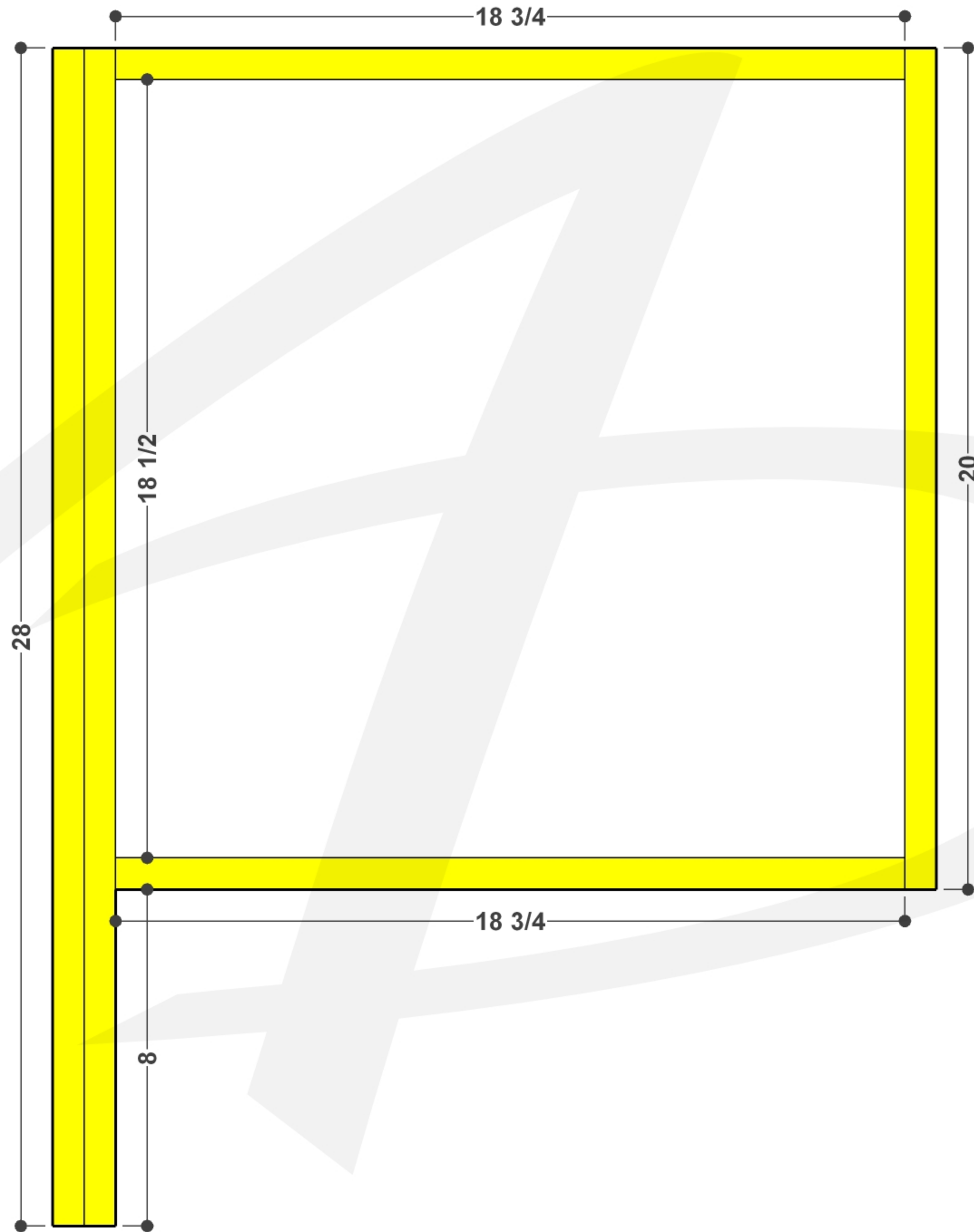
Amplifier Information	
Continuous Power Handling	1,500 W
Subsonic Filter Setting	30 Hz
Low Pass Filter Setting	65 Hz

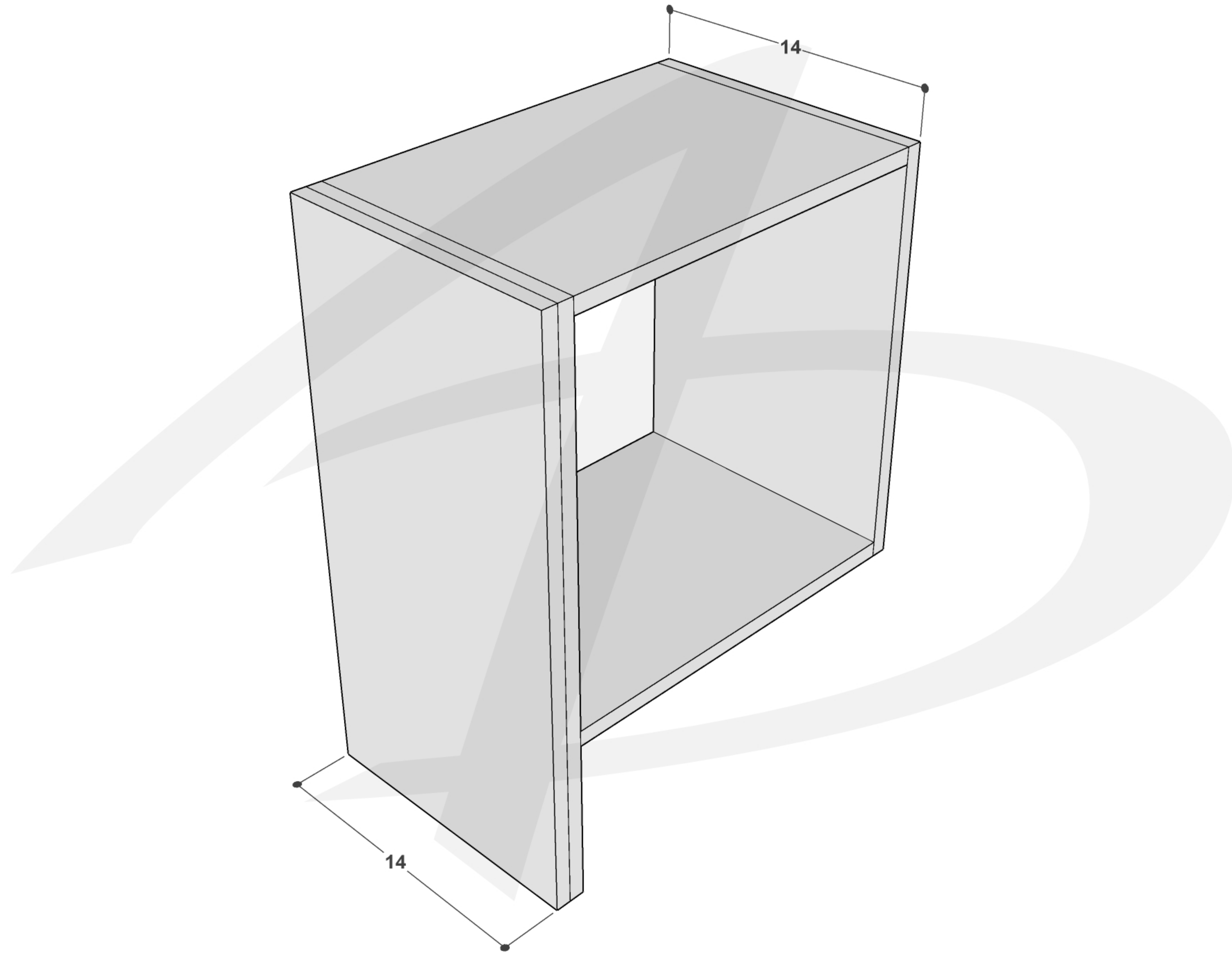
Subwoofer Information	
Make	Audio Dynamics
Model	AD5012 D2
Quantity	1

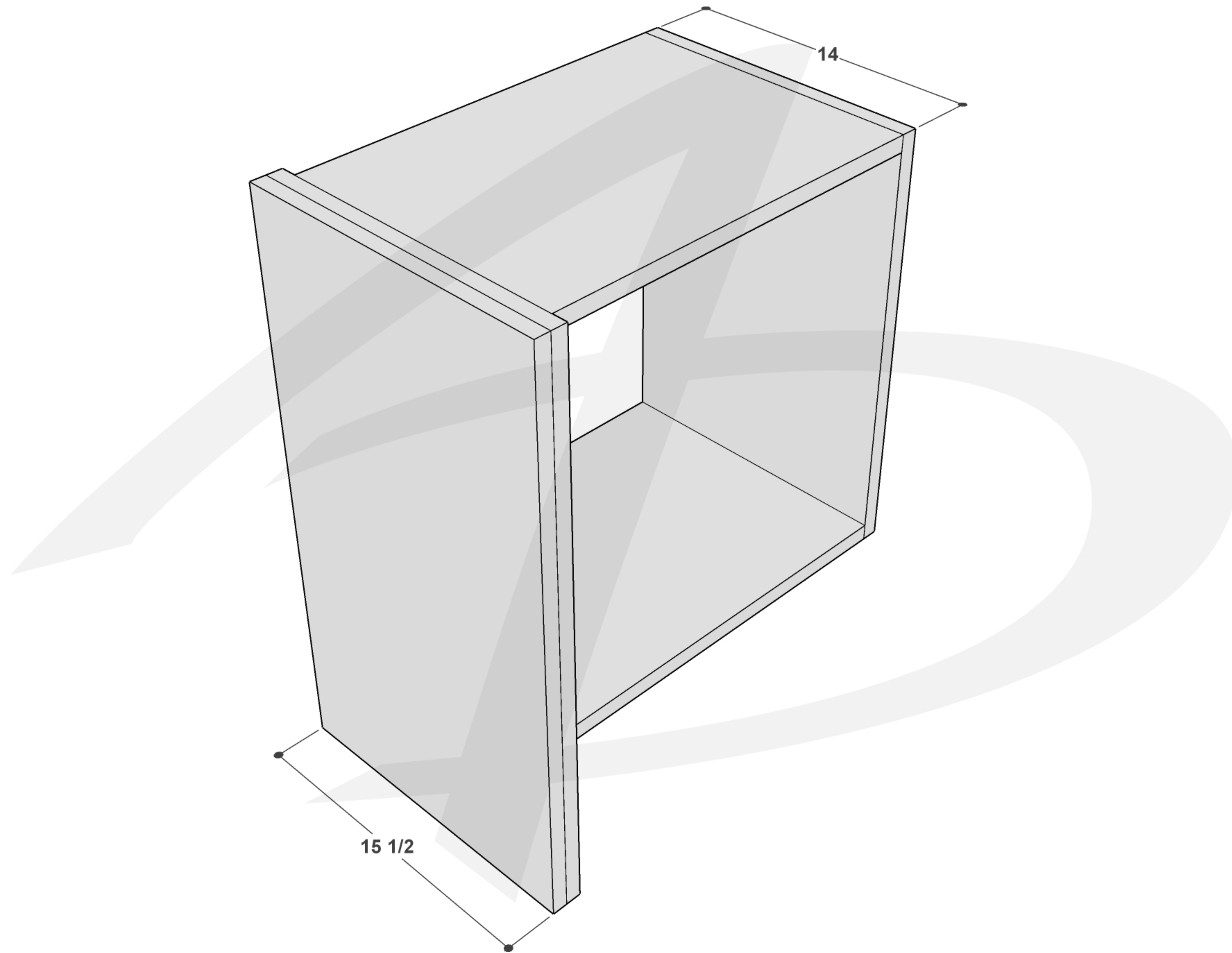
Performance Information	
SQ	<input checked="" type="checkbox"/> Within the Vehicle
<input checked="" type="checkbox"/> SQL	Outside the Vehicle
SPL	Metering Position

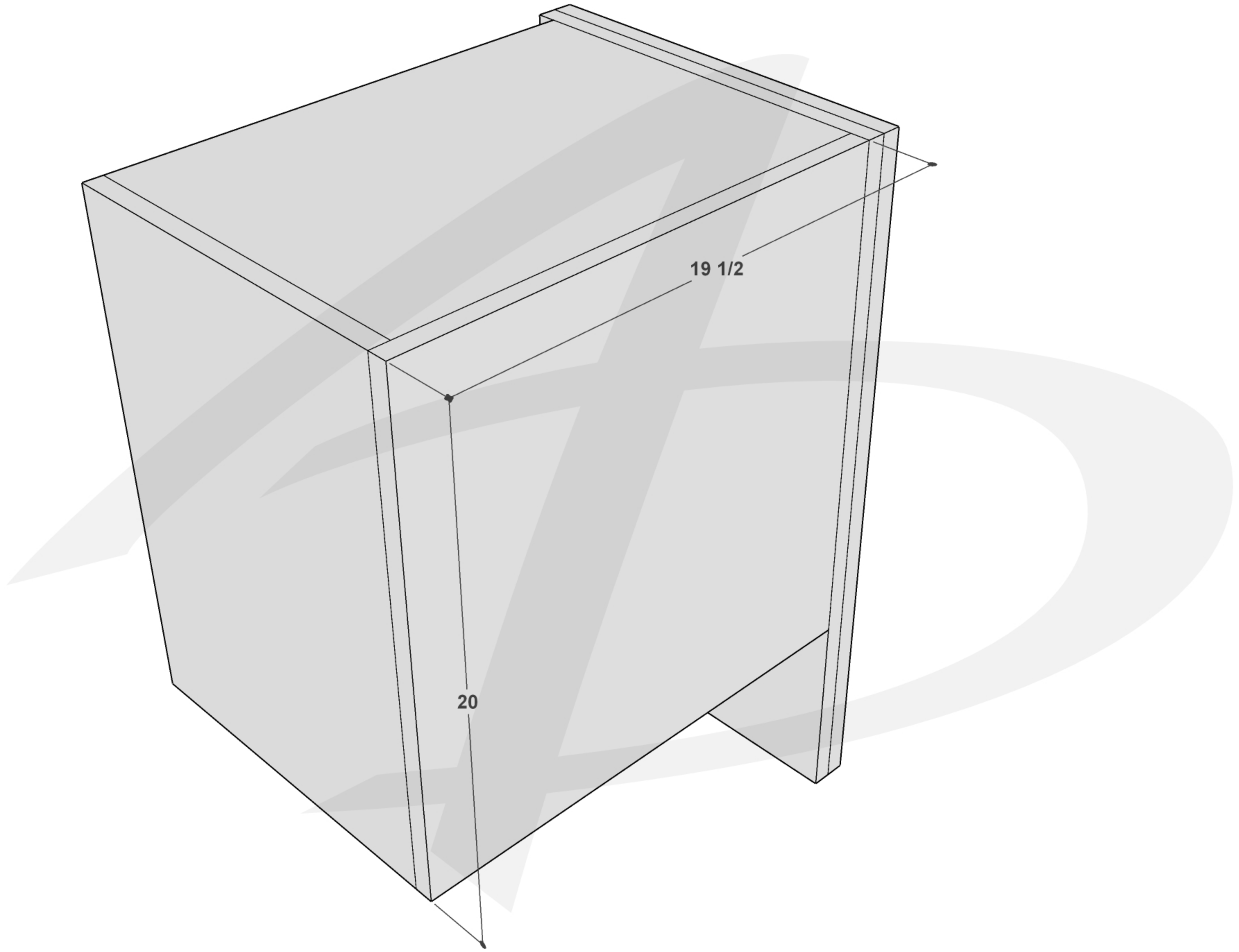
Metering Information		
Headrest	Peak Frequency	Hz
Dash / Windshield		
Foot Well		

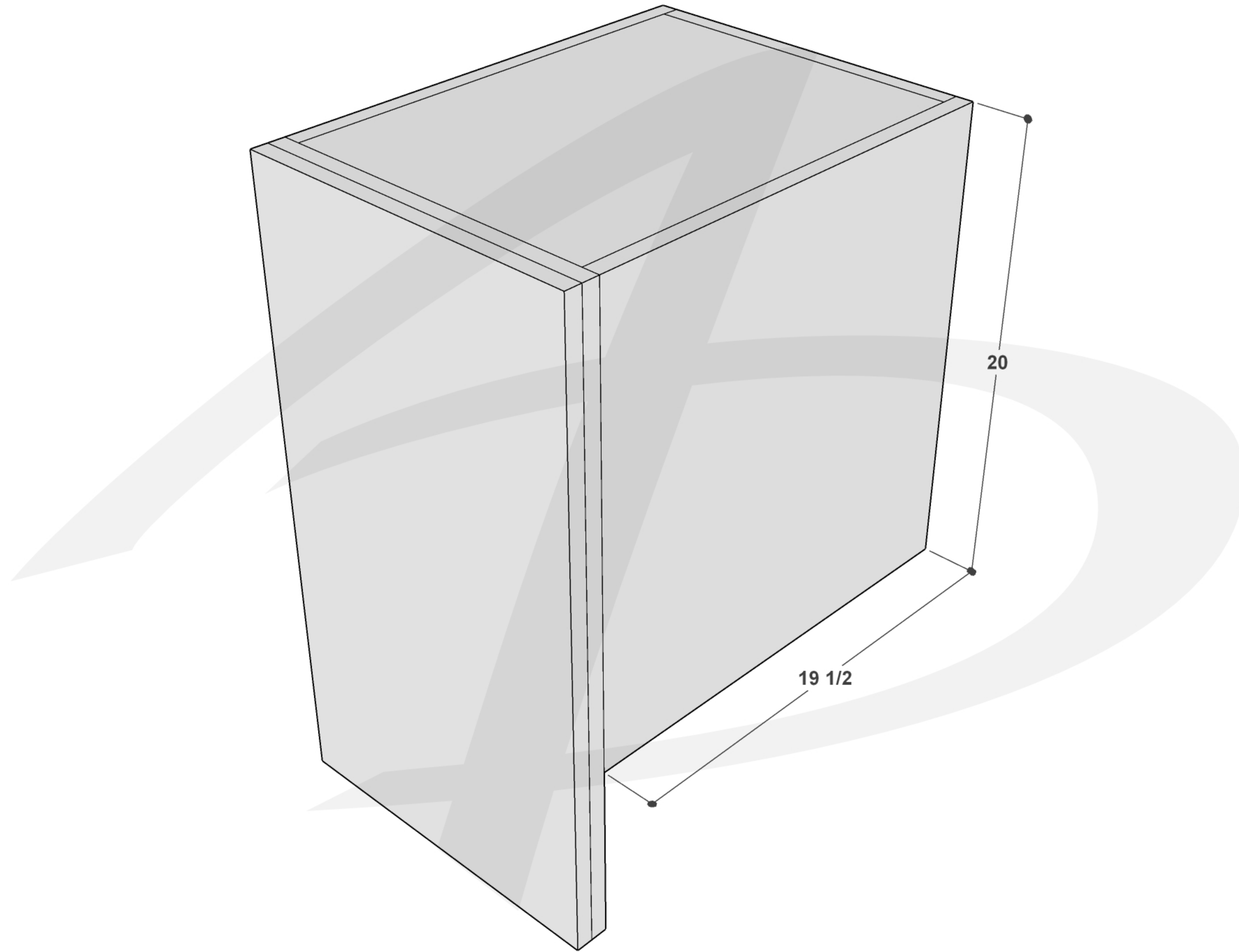


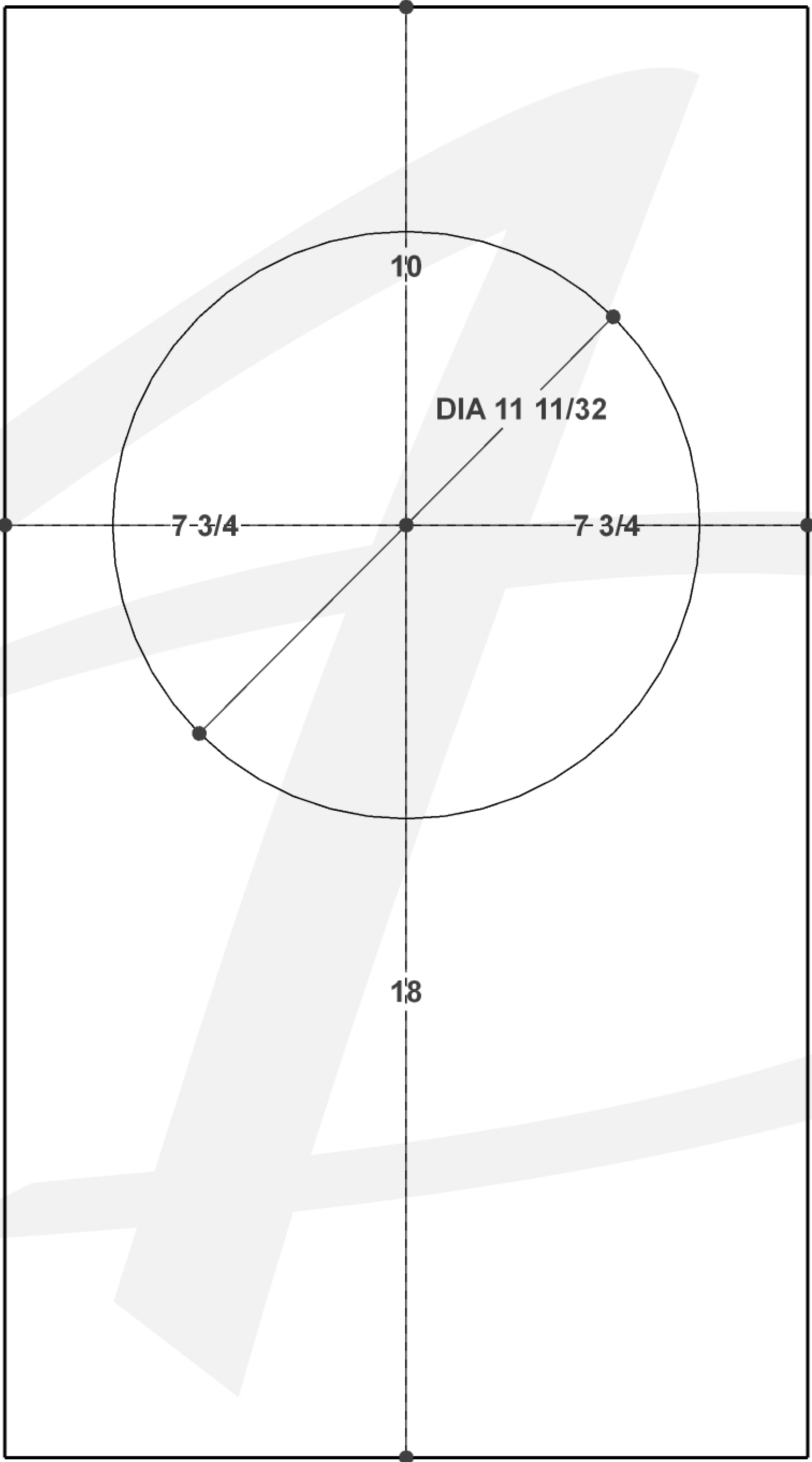


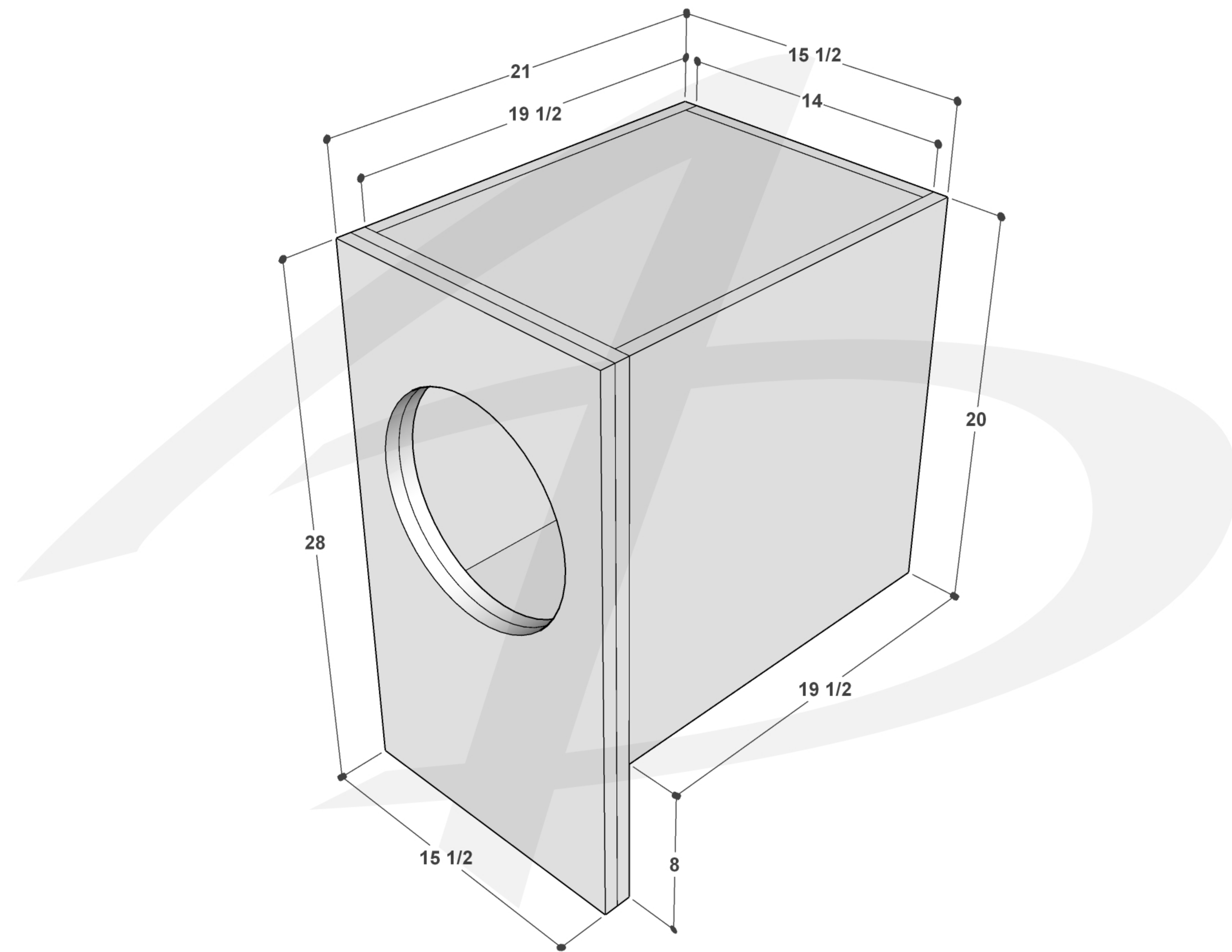












21

15 1/2

19 1/2

14

28

20

19 1/2

15 1/2

8

