



**AUDIO DYNAMICS**

Vehicle Information	
Year	2019
Make	Ford
Model	F150

Enclosure Information	
Design Type	Bass-reflex
Placement	Under seat.
Orientation	Position the enclosure with the subs directed forward, vents directed outward.

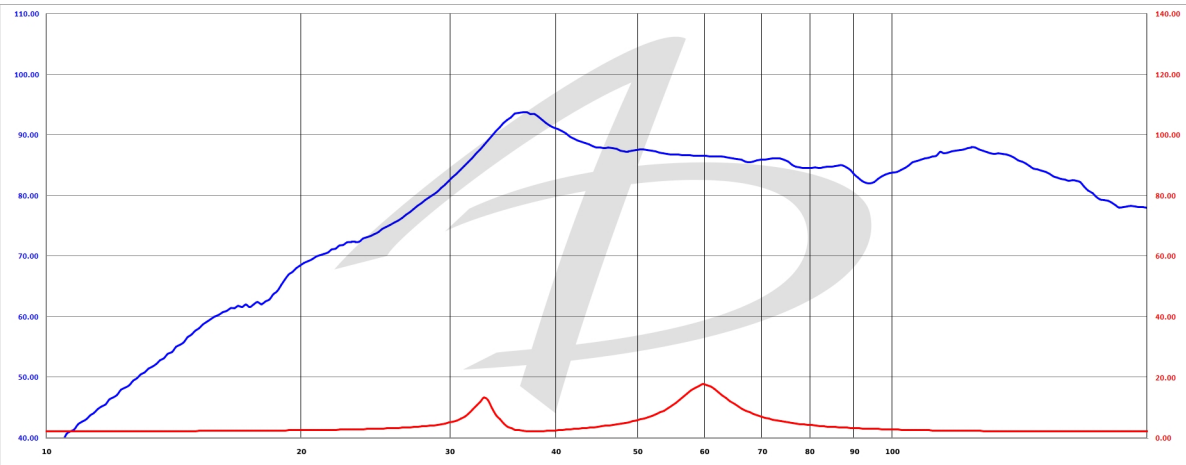
Special Notes

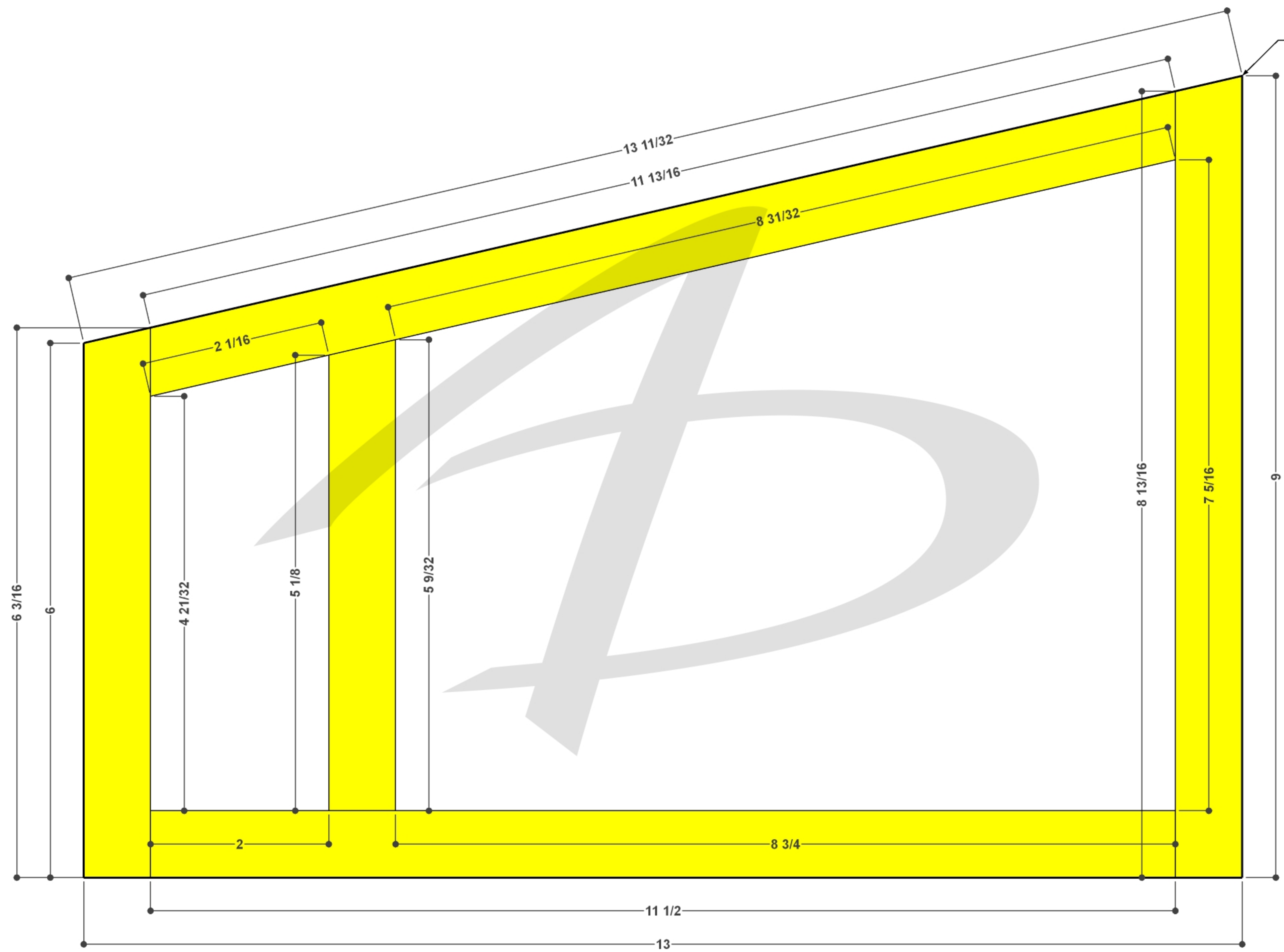
Amplifier Information	
Continuous Power Handling	1,600 W
Subsonic Filter Setting	32 Hz
Low Pass Filter Setting	70 Hz

Subwoofer Information	
Make	Audio Dynamics
Model	AD2206 D2
Quantity	4

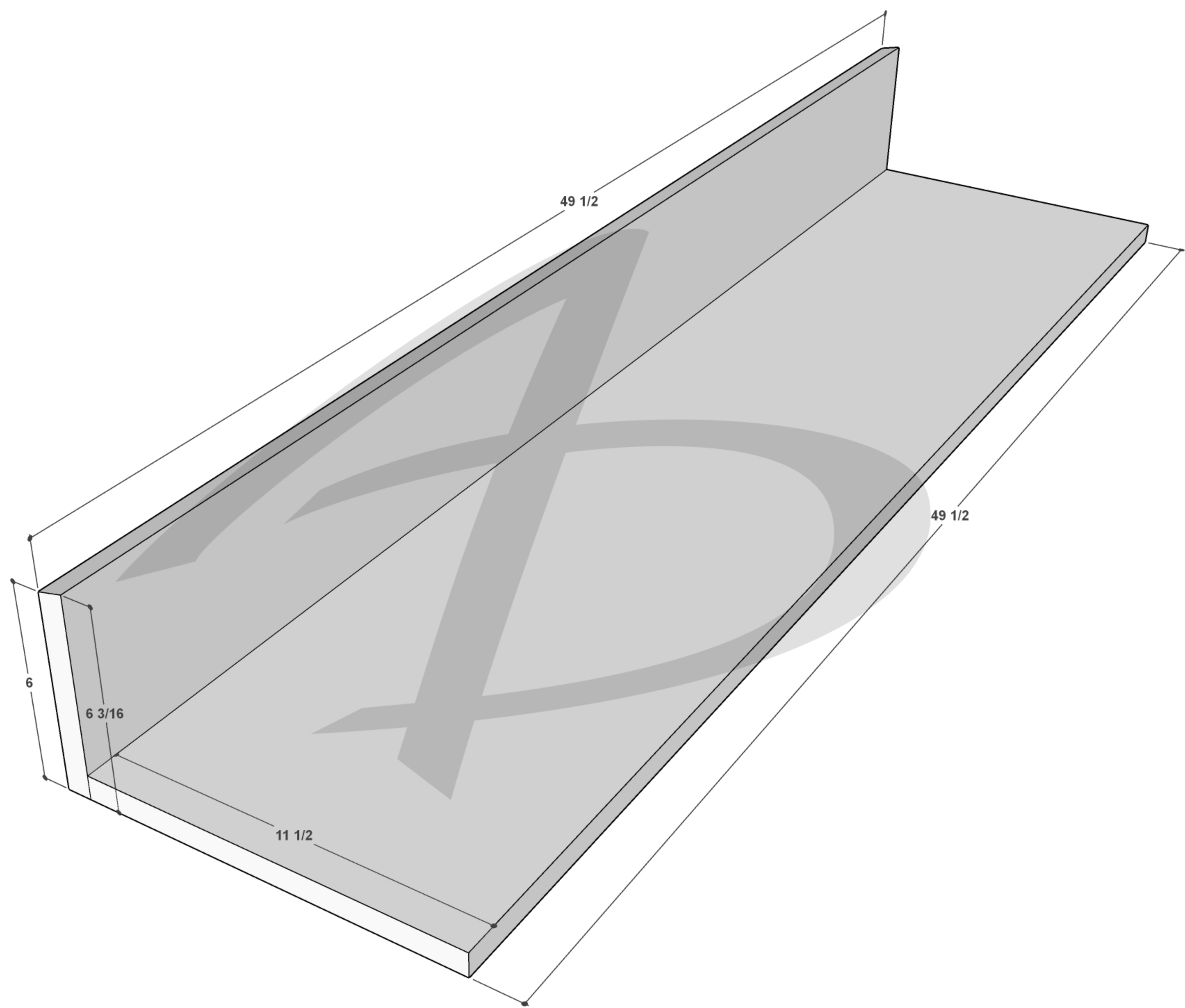
Performance Information	
SQ	<input checked="" type="checkbox"/> Within the Vehicle
<input checked="" type="checkbox"/> SQL	Outside the Vehicle
SPL	Metering Position

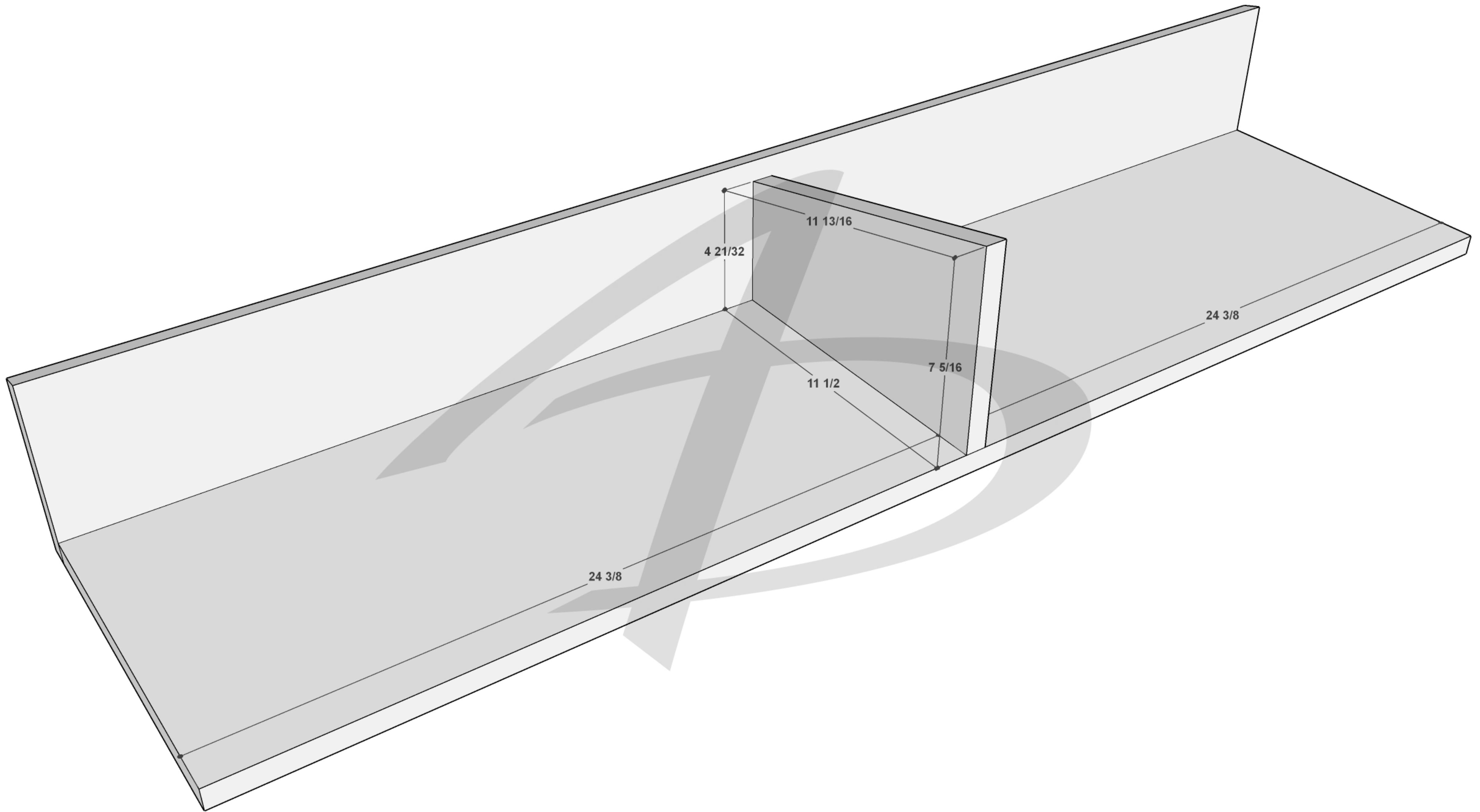
Metering Information		
Headrest	<b>Peak Frequency</b>	<b>Hz</b>
Dash / Windshield		
Foot Well		

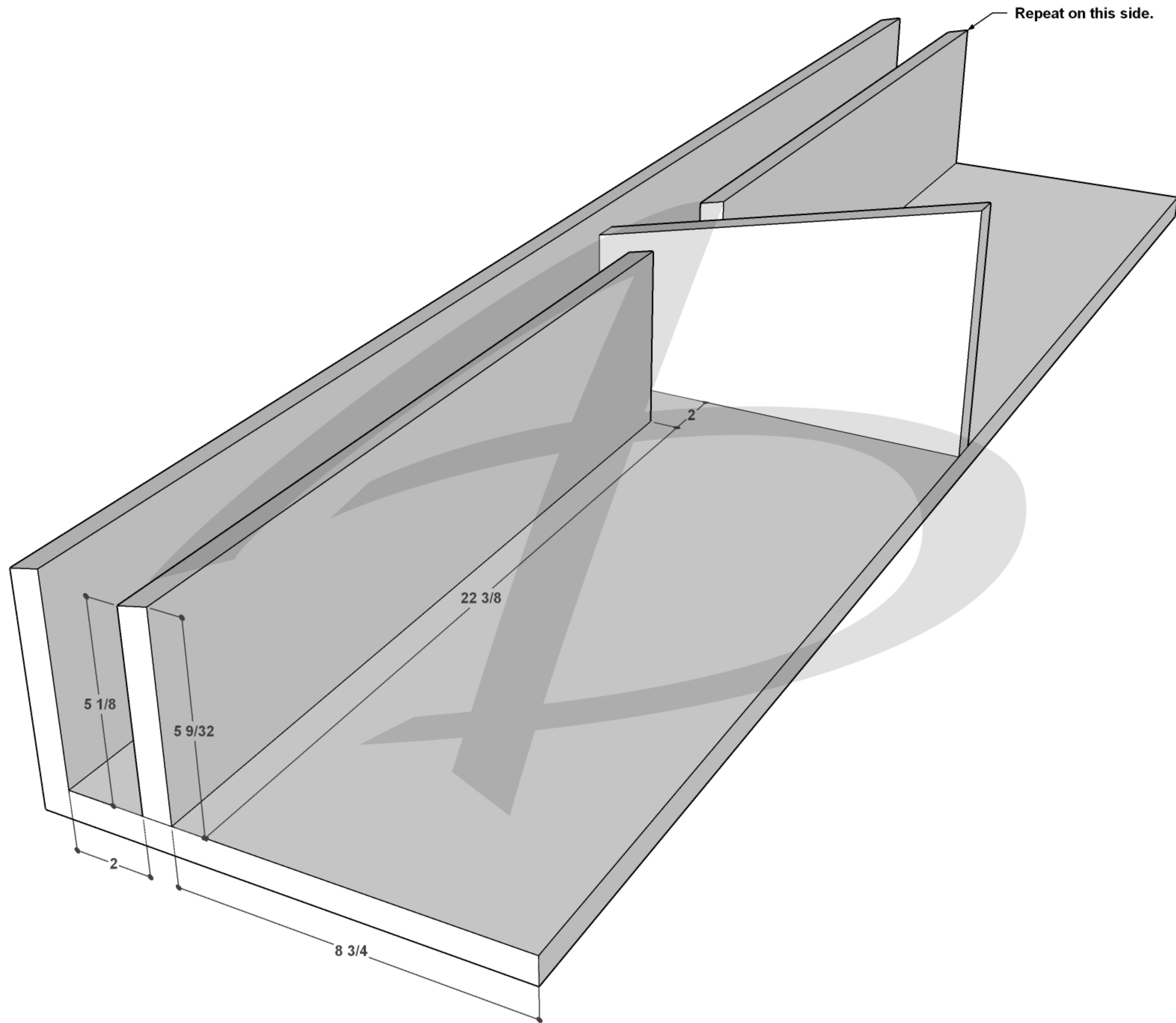


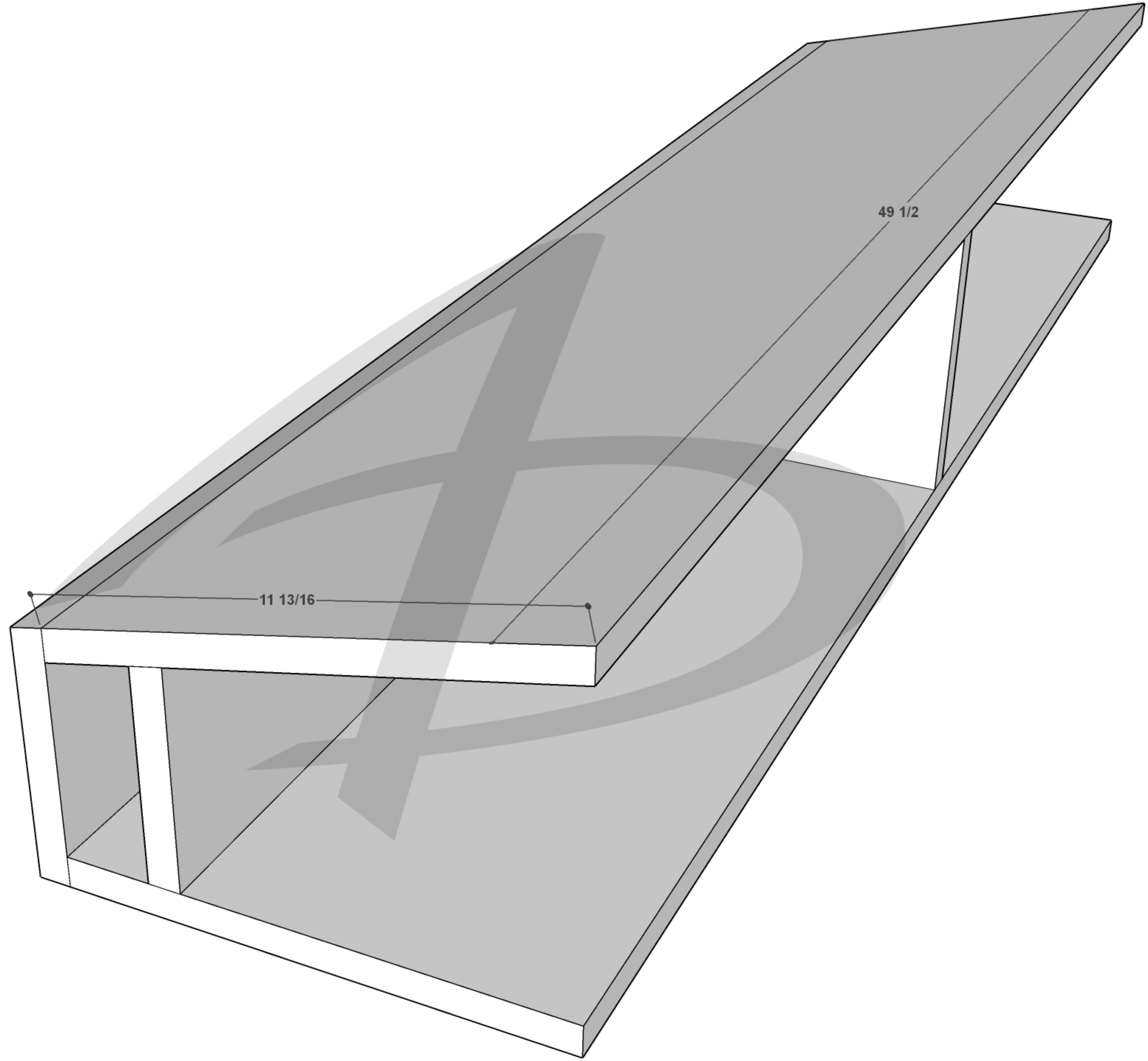


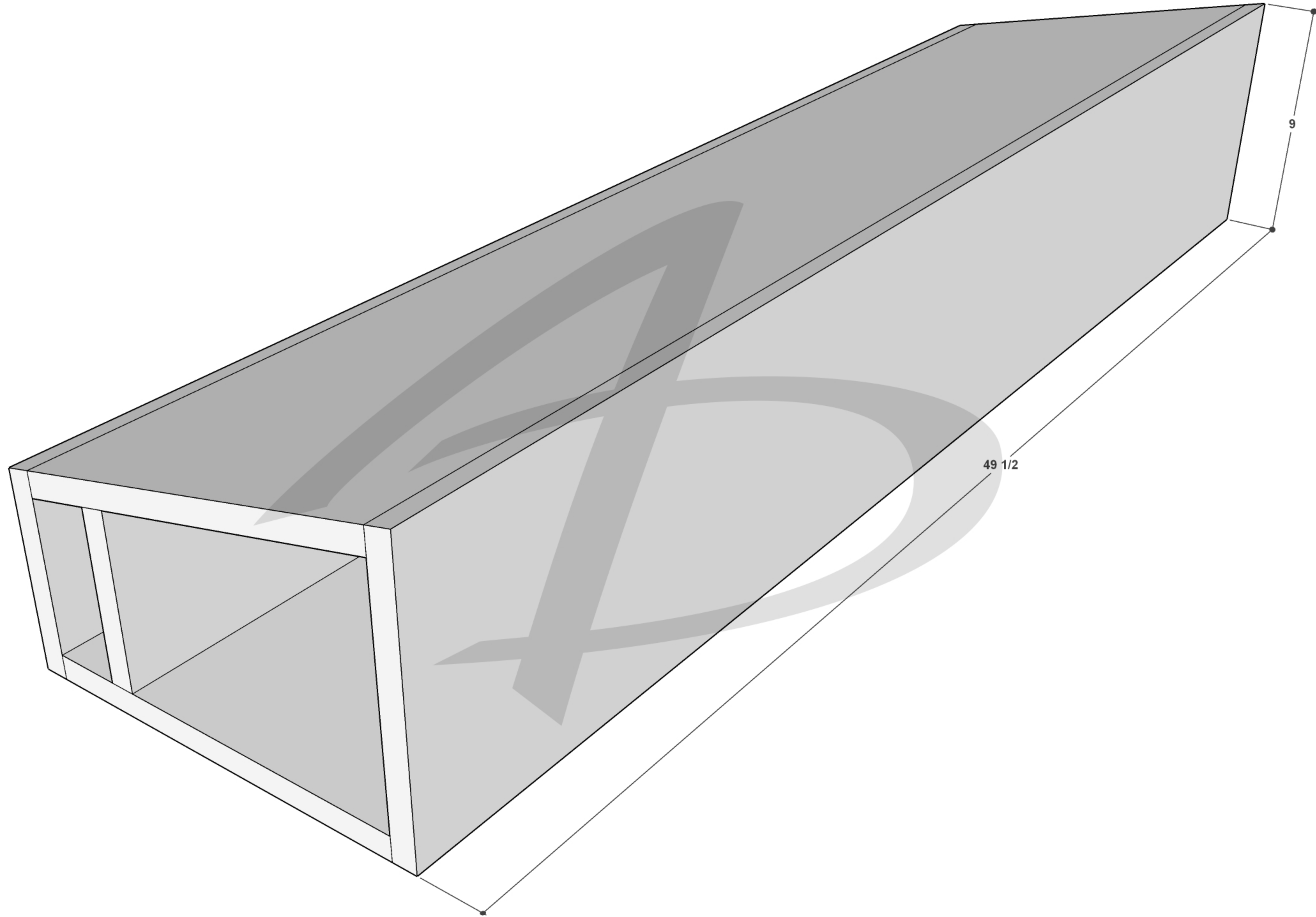
Use a 13° blade tilt setting for all the cuts associated with the top slant.

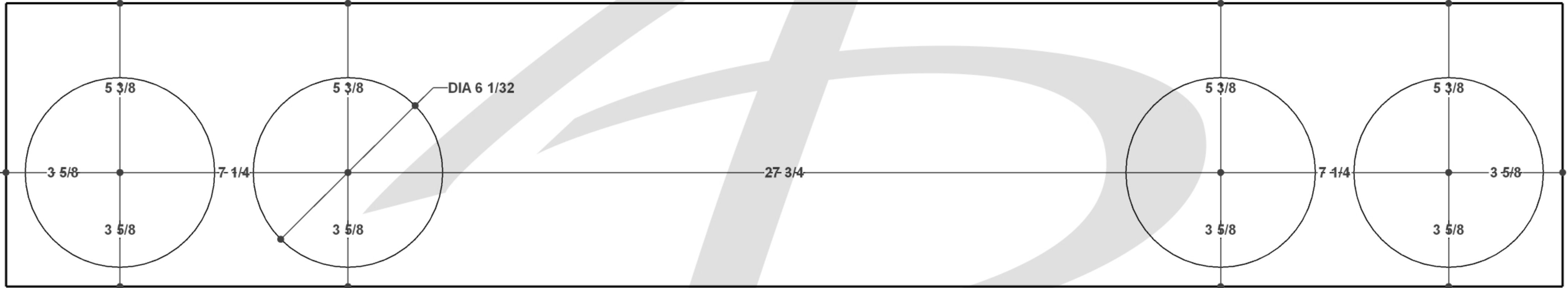


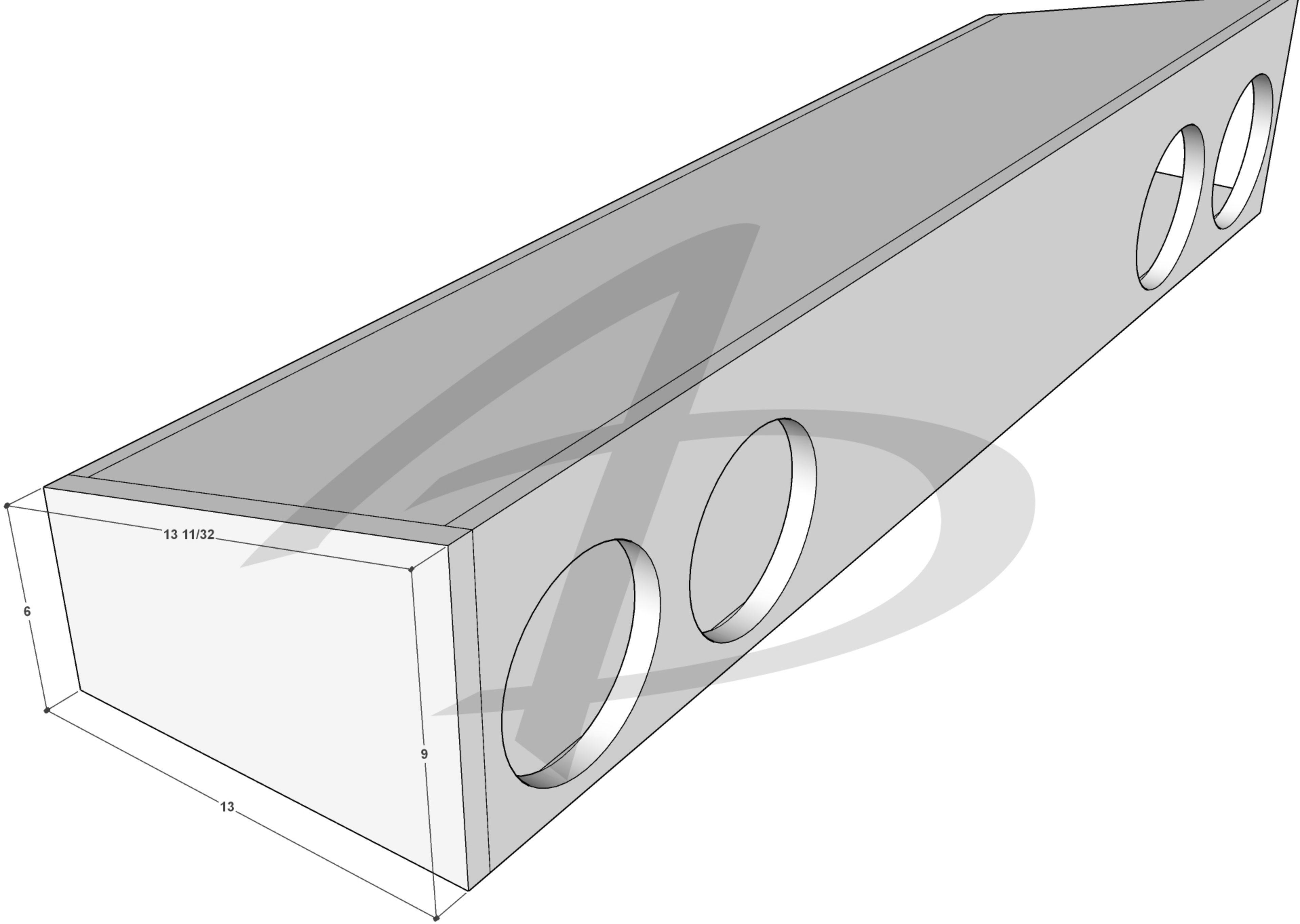


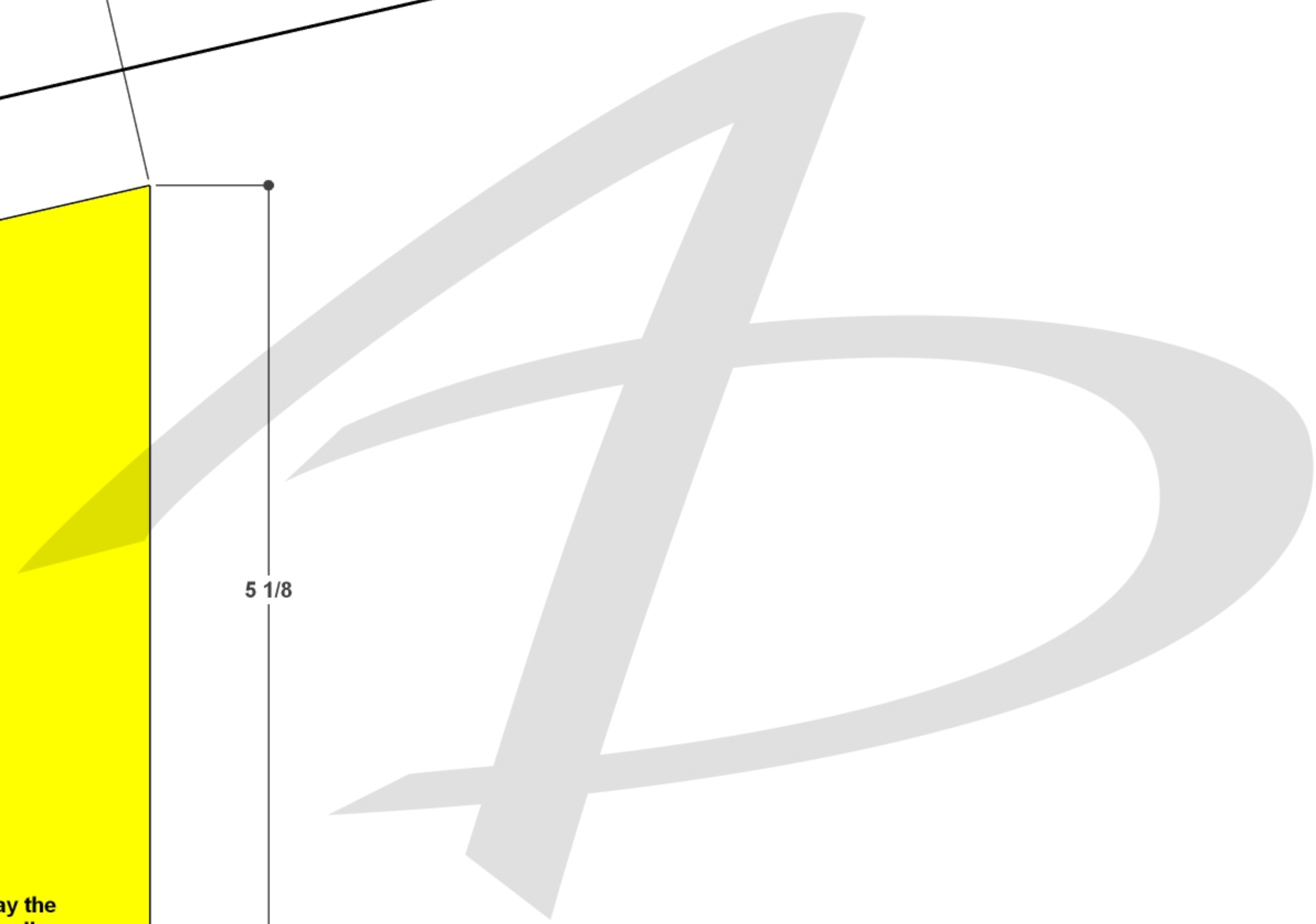
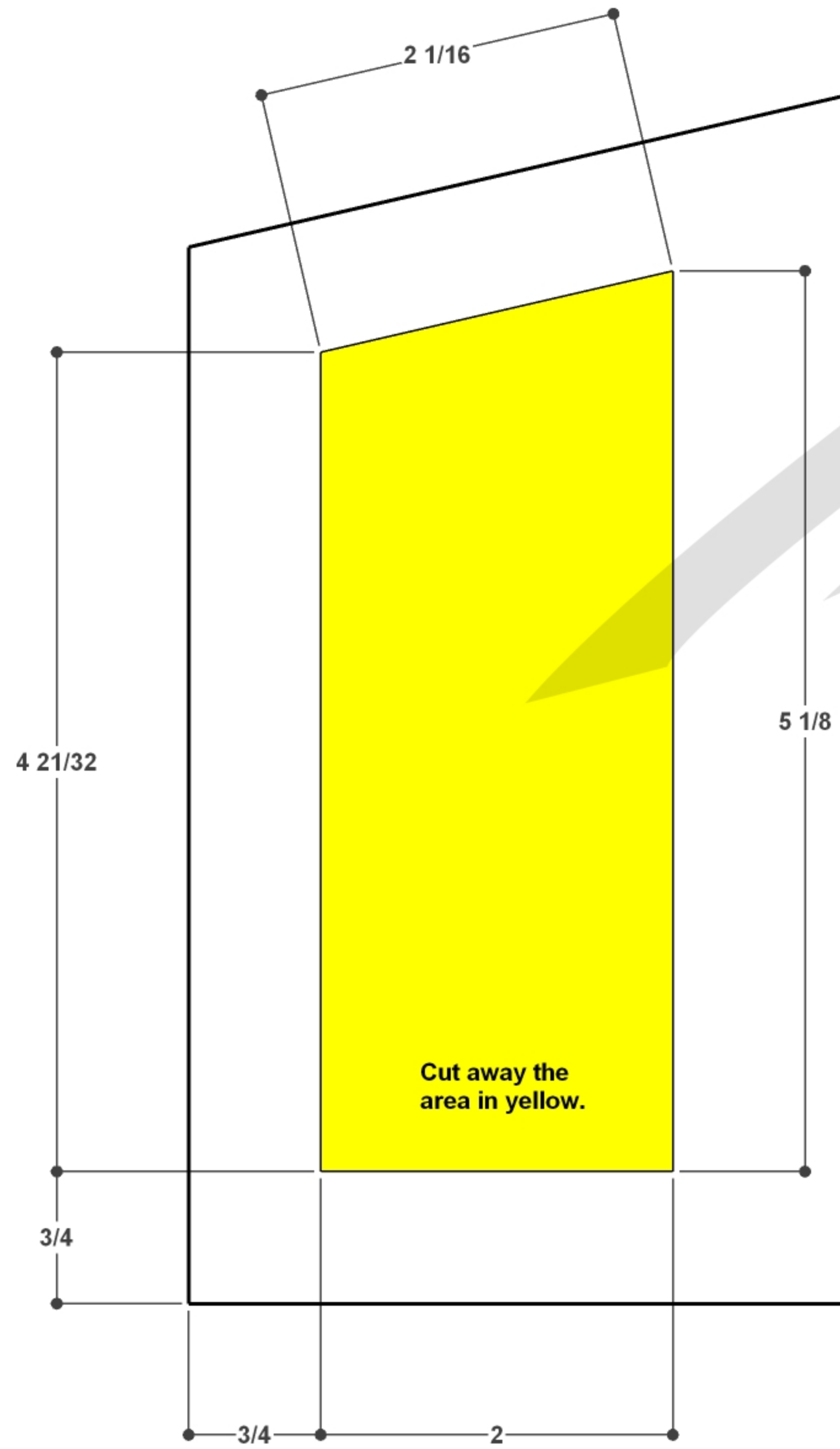


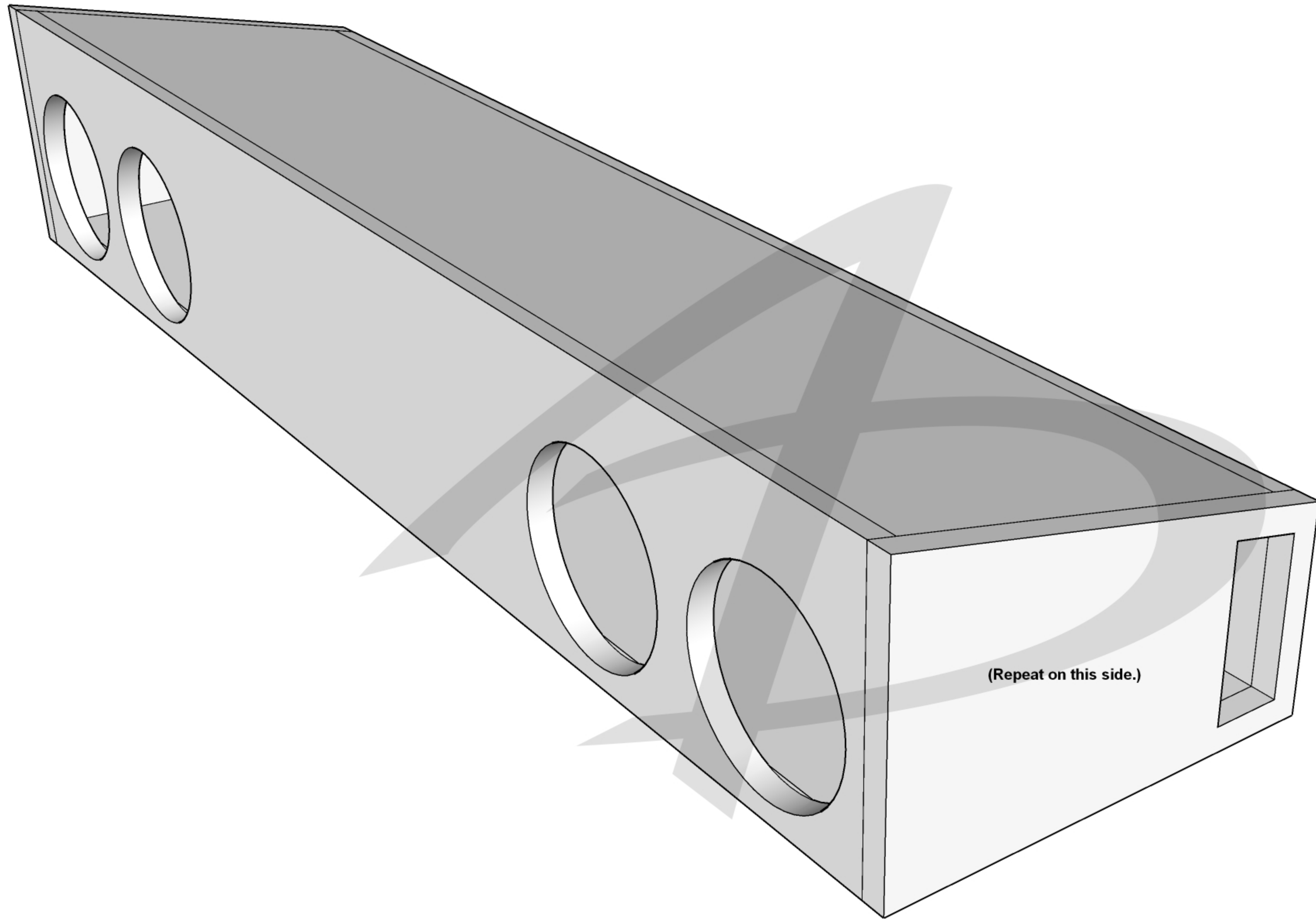




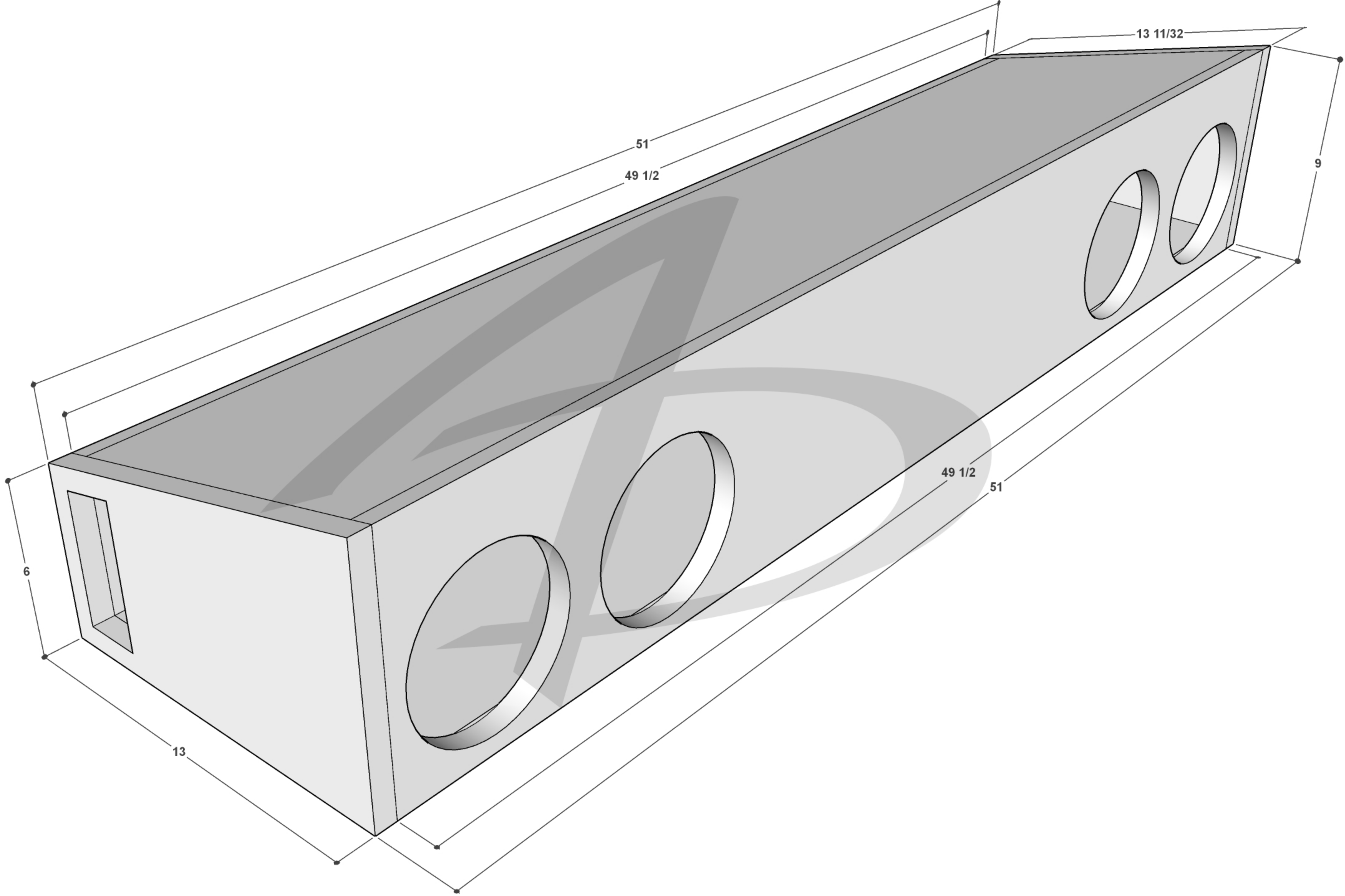








(Repeat on this side.)



13 11/32

51

49 1/2

9

49 1/2

51

6

13

