



**AUDIO DYNAMICS**

Vehicle Information	
Year	2019
Make	Ford
Model	F-250

Enclosure Information	
Design Type	Bass-Reflex
Placement	In place of rear seats.
Orientation	Position the enclosure with the subs directed upward.

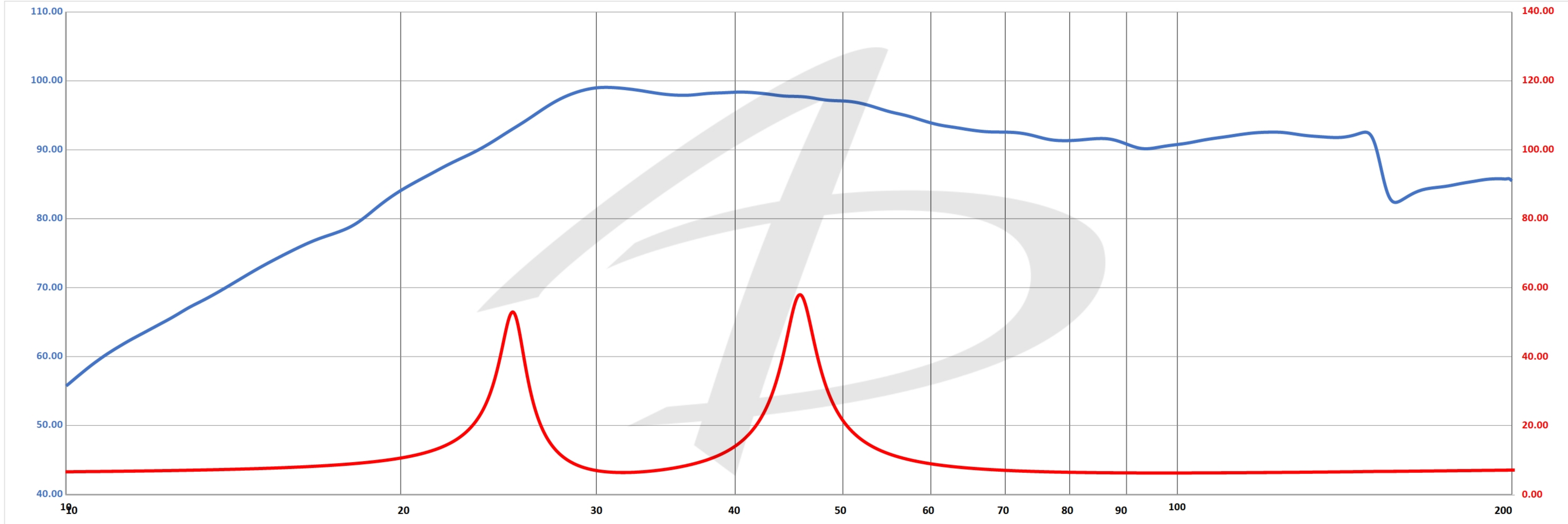
Special Notes

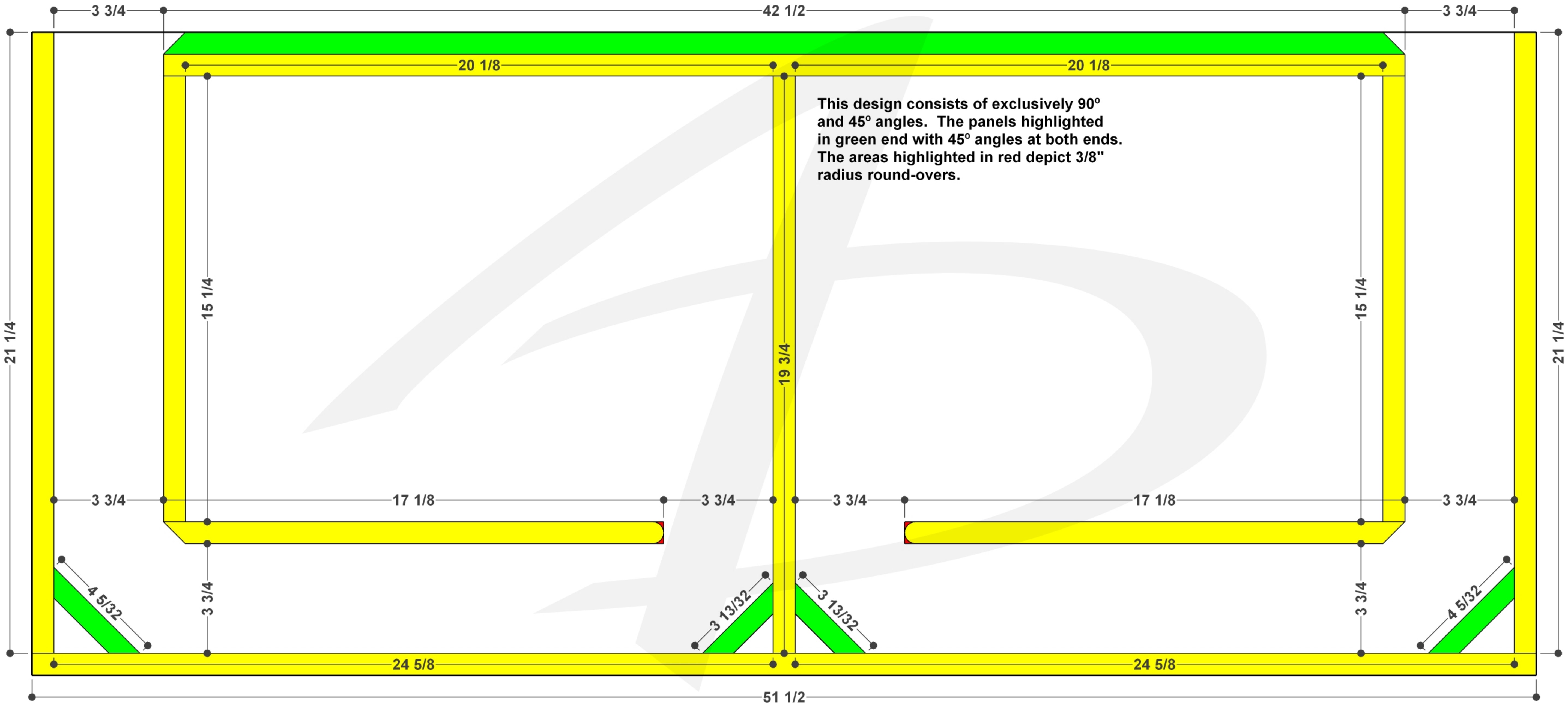
Amplifier Information	
Continuous Power Handling	3,000 W
Subsonic Filter Setting	28 Hz
Low Pass Filter Setting	55 Hz

Subwoofer Information	
Make	Audio Dynamics
Model	AD5015 D4
Quantity	2

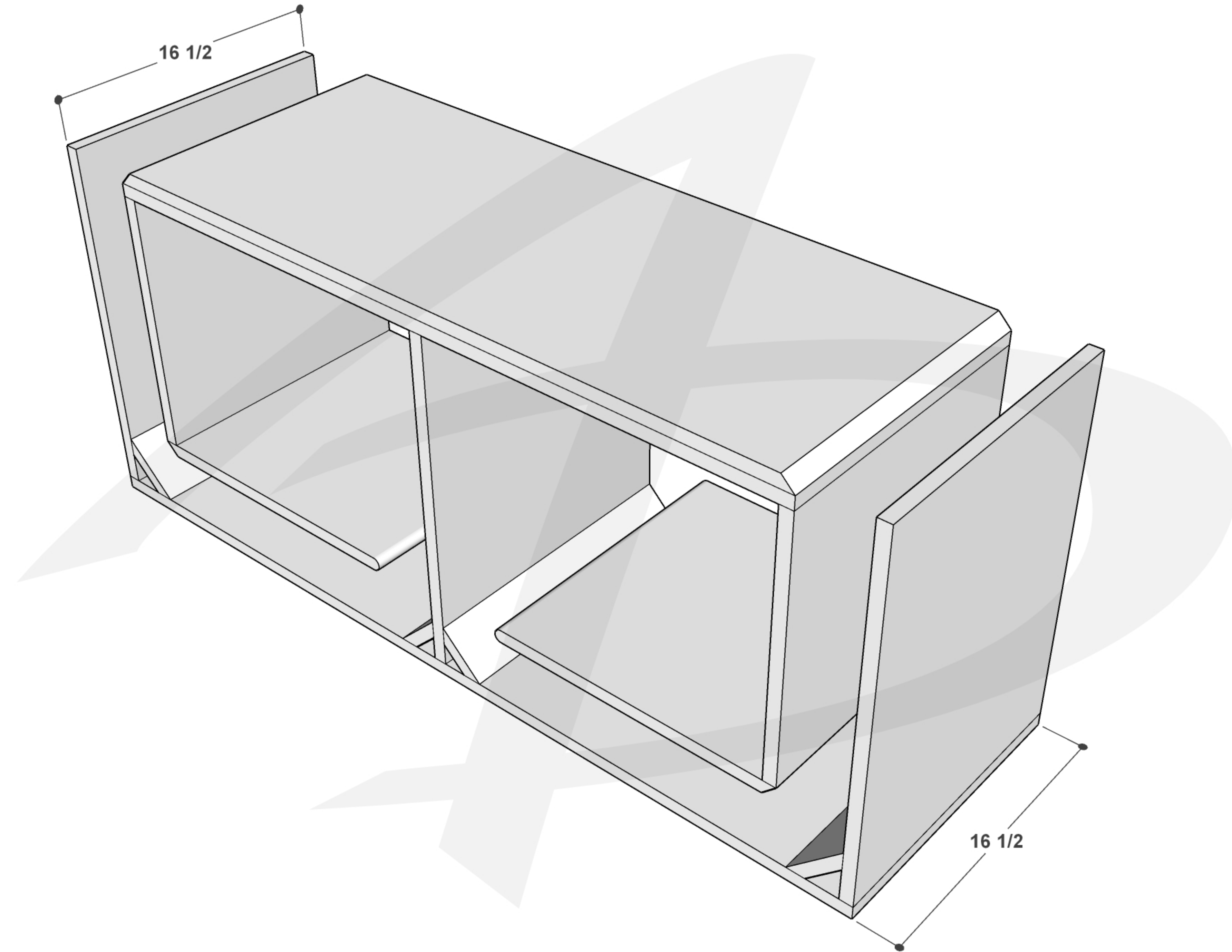
Performance Information	
SQ	<input checked="" type="checkbox"/> Within the Vehicle
<input checked="" type="checkbox"/> SQL	Outside the Vehicle
SPL	Metering Position

Metering Information		
Headrest	Peak Frequency	Hz
Dash / Windshield		
Foot Well		



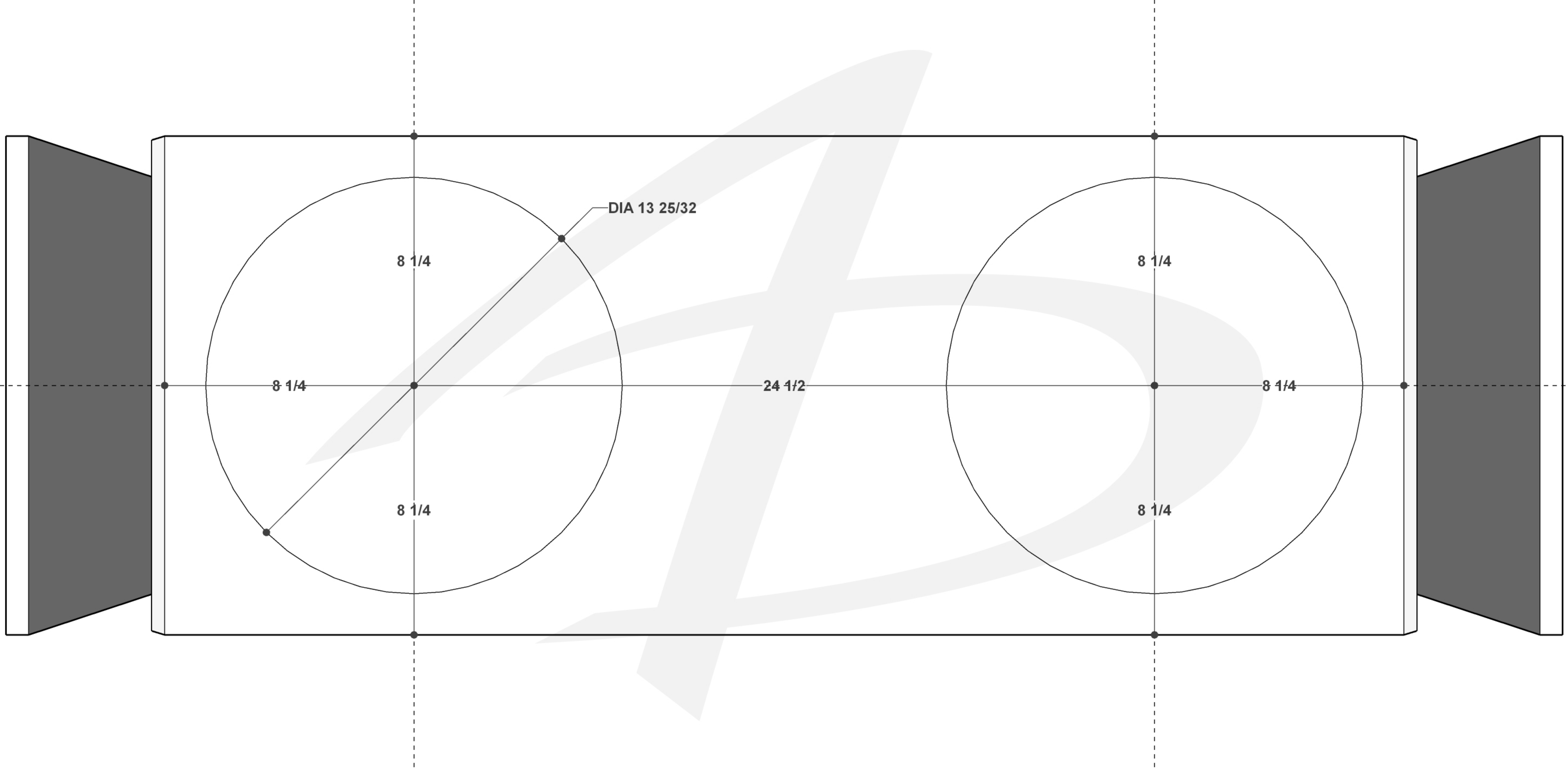


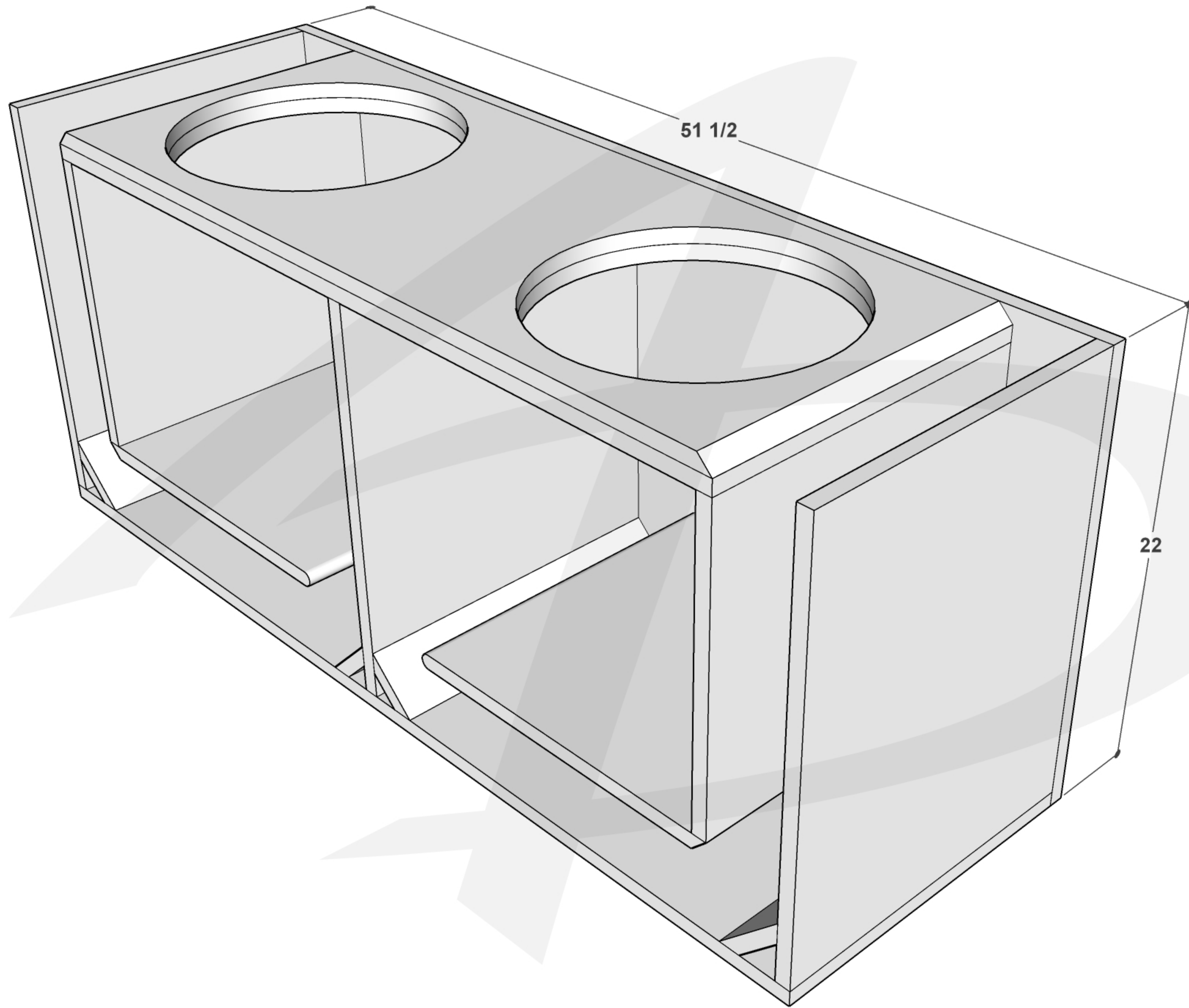
This design consists of exclusively 90° and 45° angles. The panels highlighted in green end with 45° angles at both ends. The areas highlighted in red depict 3/8" radius round-overs.



16 1/2

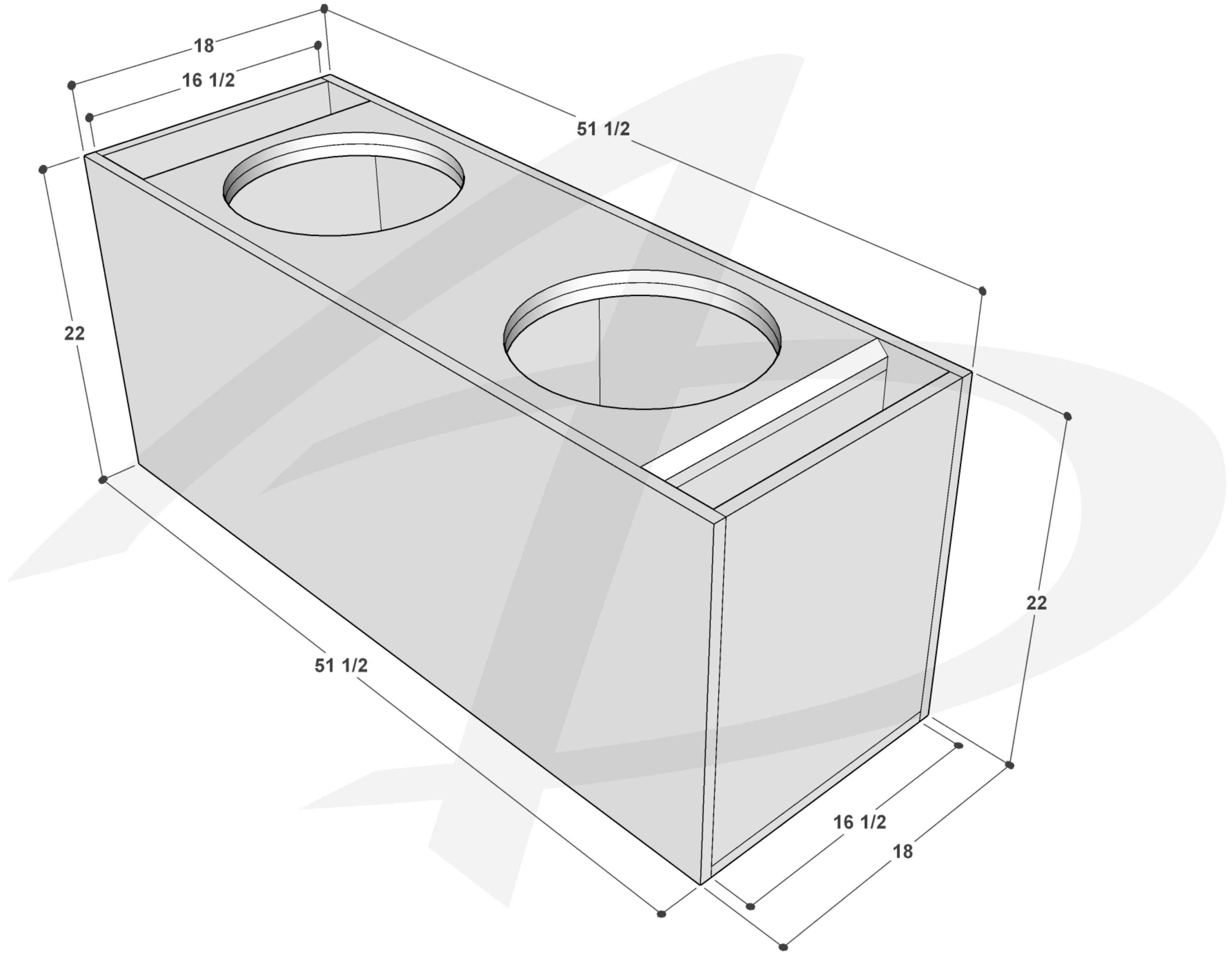
16 1/2





51 1/2

22



18

16 1/2

51 1/2

22

22

51 1/2

16 1/2

18

