

Vehicle Information	
Year	2019
Make	Hyundai
Model	Santa Fe

Enclosure Information	
Design Type	Bass-Reflex
Placement	Cargo area
Orientation	Position the enclosure with the sub directed upward along the driver side, vent directed rearward along the passenger side.



AUDIO DYNAMICS

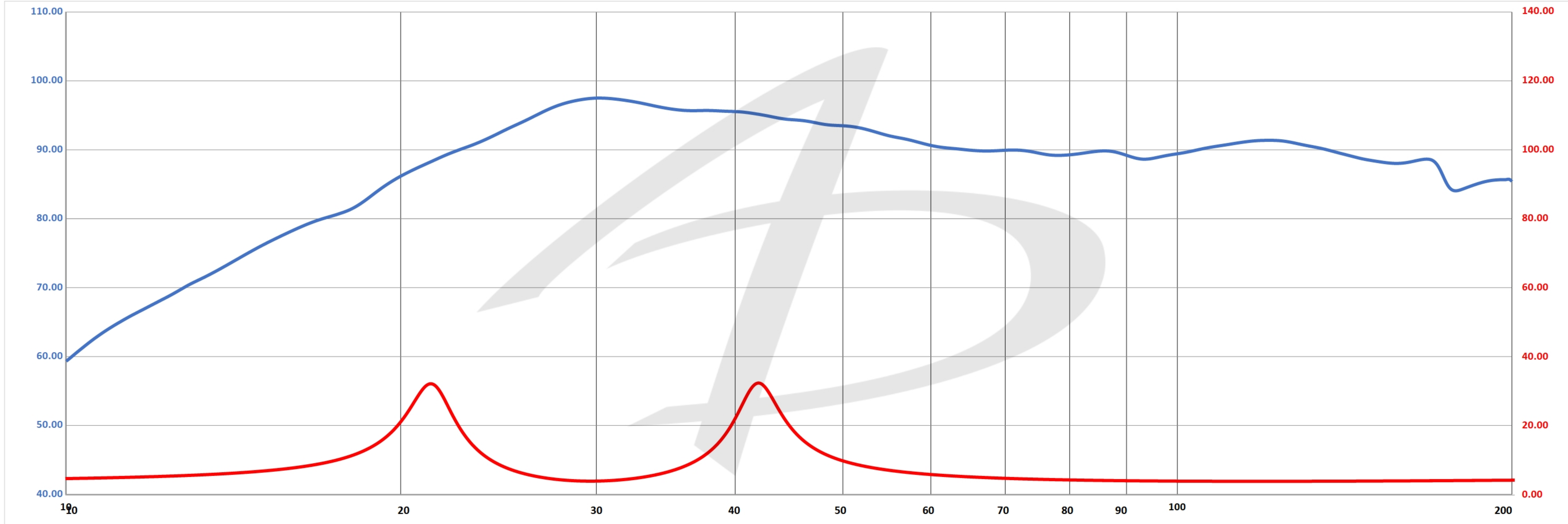
Special Notes

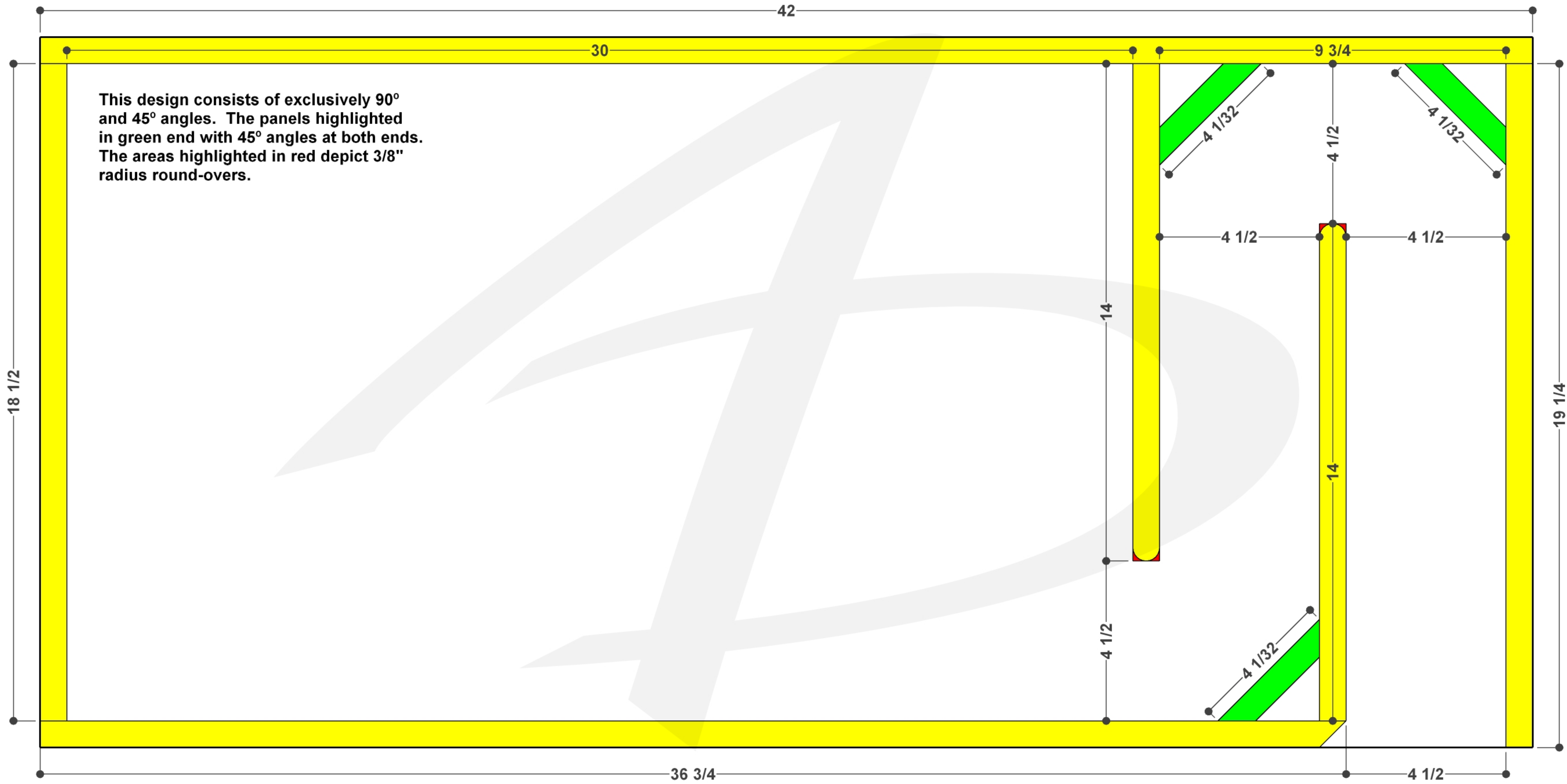
Amplifier Information	
Continuous Power Handling	2,000 W
Subsonic Filter Setting	28 Hz
Low Pass Filter Setting	55 Hz

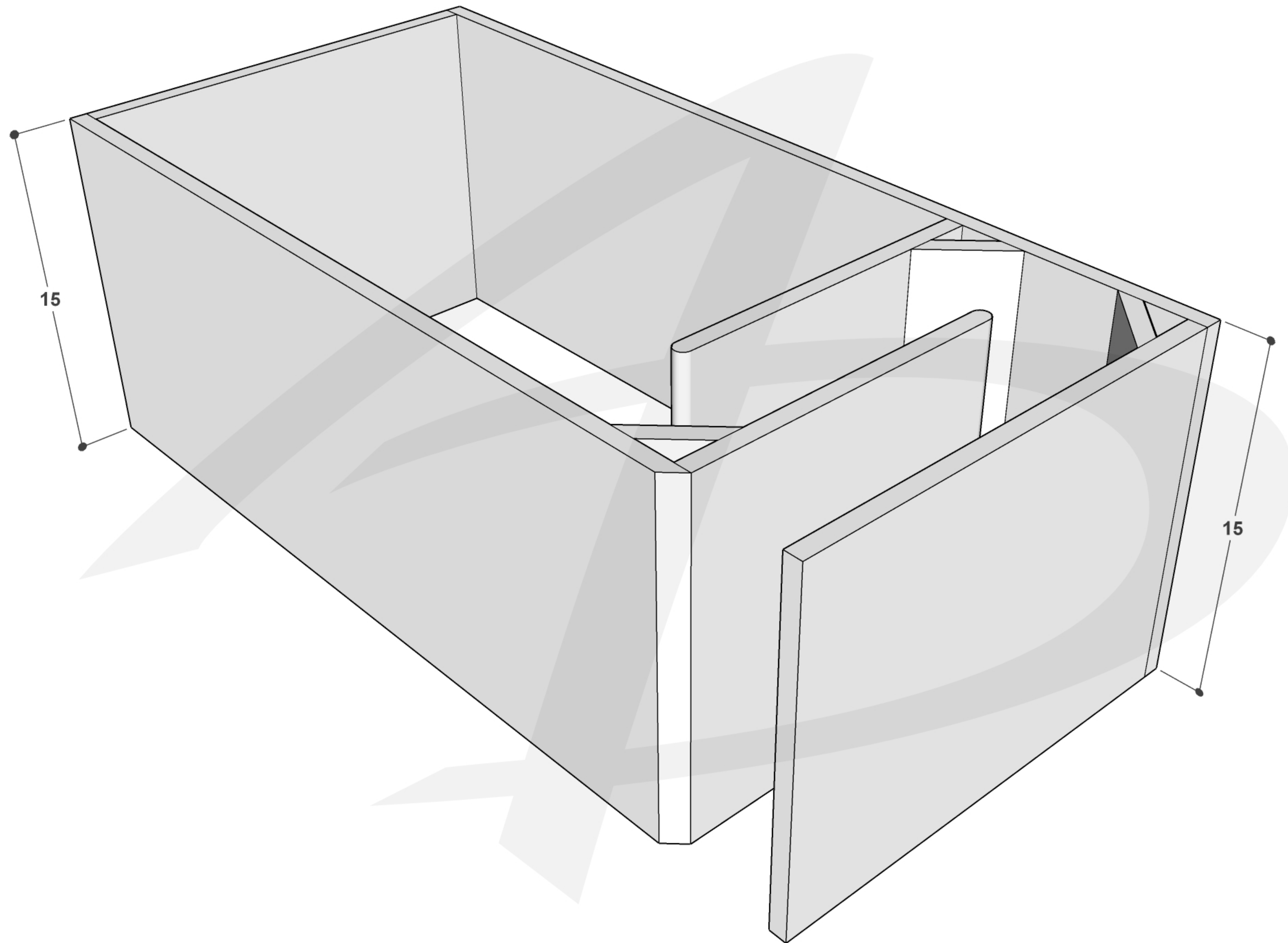
Subwoofer Information	
Make	Audio Dynamics
Model	AD6018 D2
Quantity	1

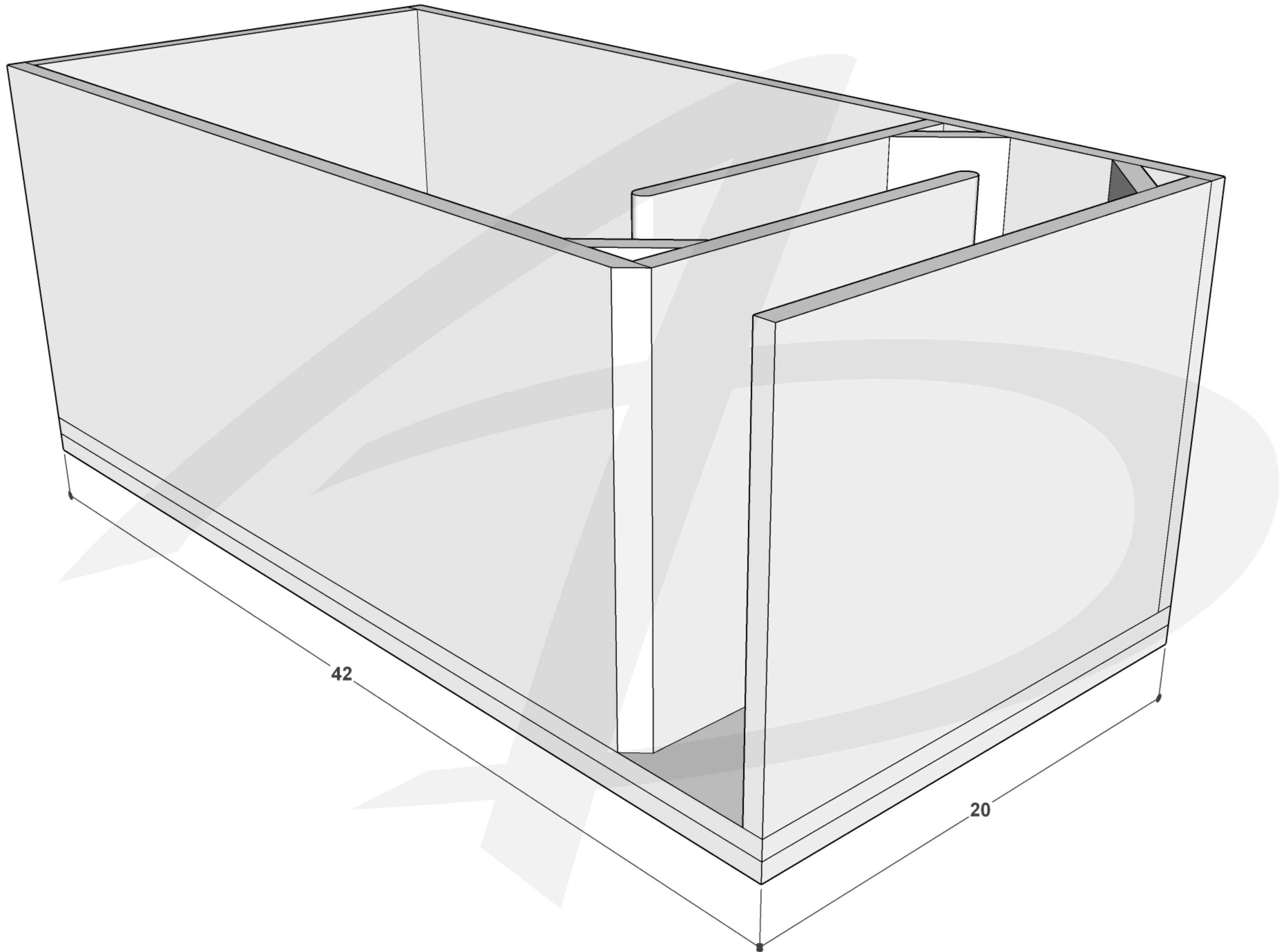
Performance Information	
SQ	<input checked="" type="checkbox"/> Within the Vehicle
<input checked="" type="checkbox"/> SQL	Outside the Vehicle
SPL	Metering Position

Metering Information		
Headrest	Peak Frequency	Hz
Dash / Windshield		
Foot Well		



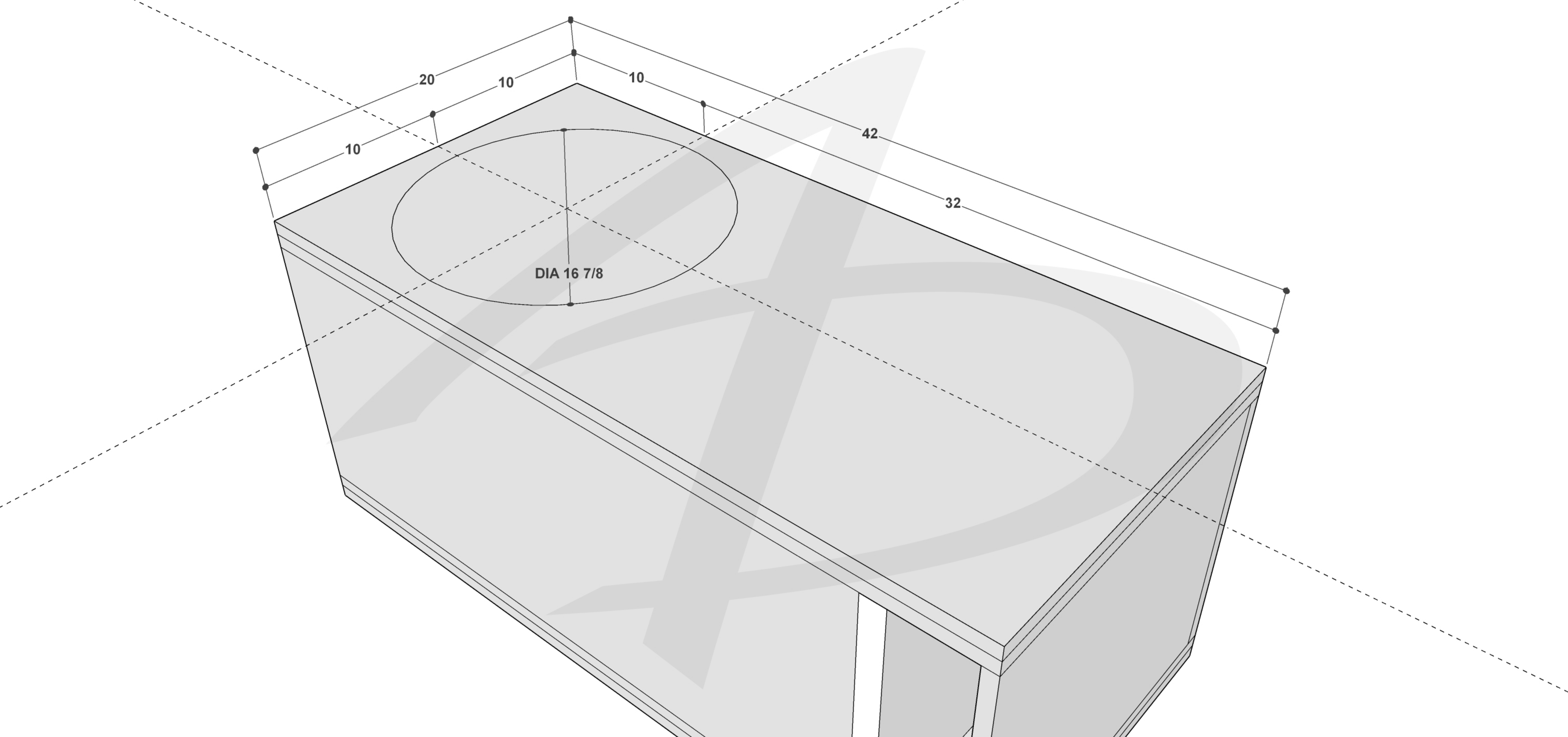






42

20



10

20

10

10

42

32

DIA 16 7/8

