



AUDIO DYNAMICS

Vehicle Information	
Year	2022
Make	Chevy
Model	Silverado

Enclosure Information	
Design Type	Bass-reflex
Placement	Under rear seat
Orientation	Position the enclosure with the subs directed forward, vent toward the passenger side.

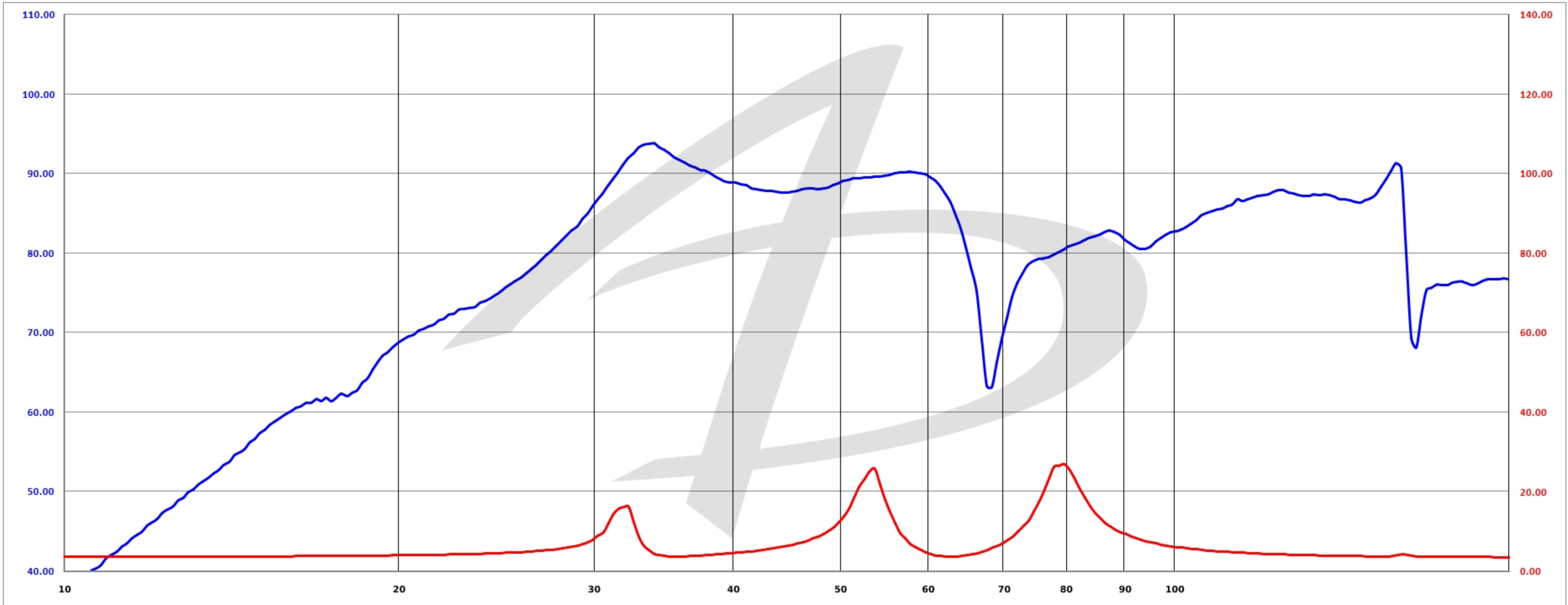
Special Notes

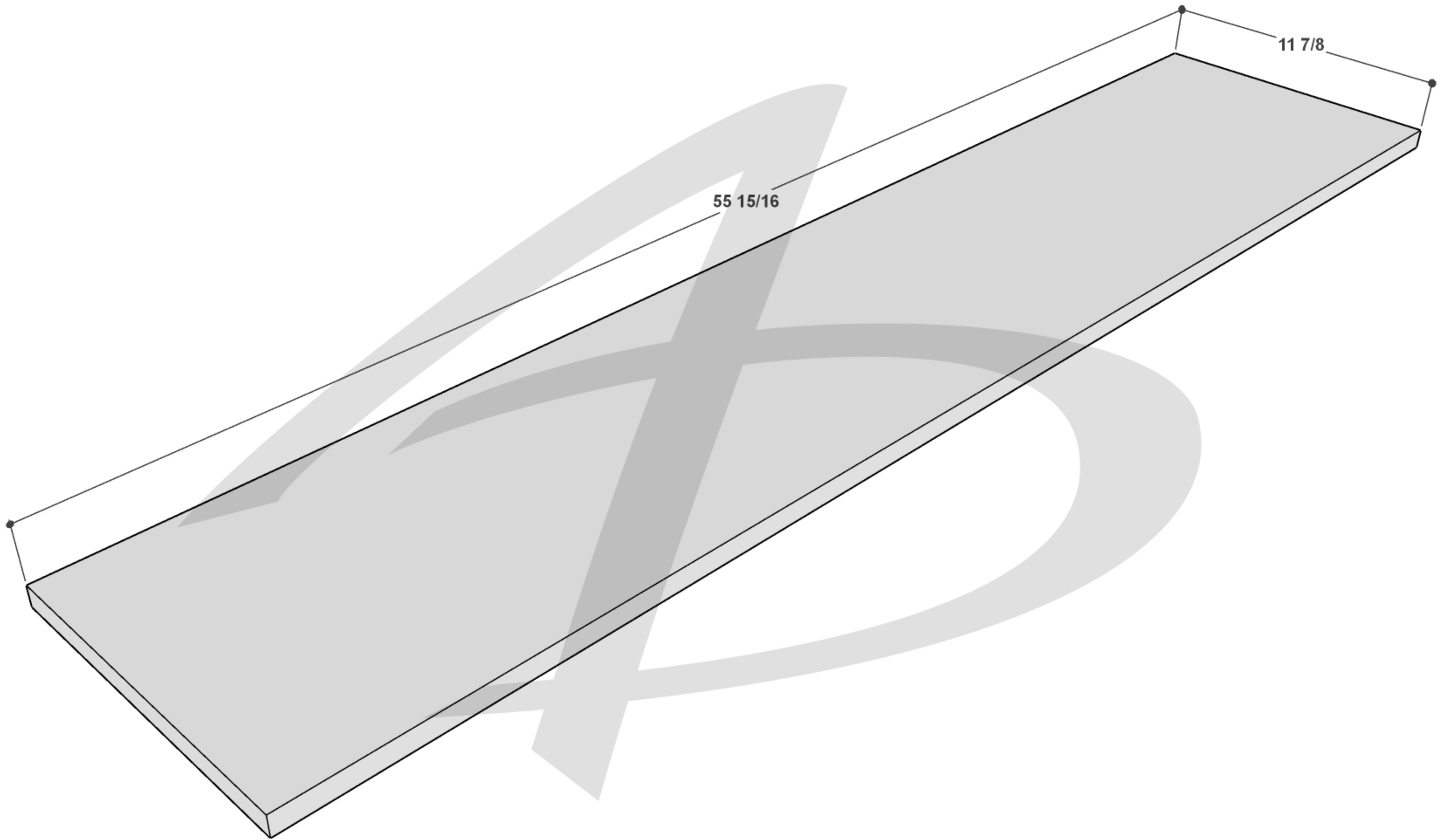
Amplifier Information	
Continuous Power Handling	800 W
Subsonic Filter Setting	32 Hz
Low Pass Filter Setting	60 Hz

Subwoofer Information	
Make	Audio Dynamics
Model	AD2206 D4
Quantity	2

Performance Information	
SQ	<input checked="" type="checkbox"/> Within the Vehicle
<input checked="" type="checkbox"/> SQL	Outside the Vehicle
SPL	Metering Position

Metering Information		
Headrest	Peak Frequency	Hz
Dash / Windshield		
Foot Well		



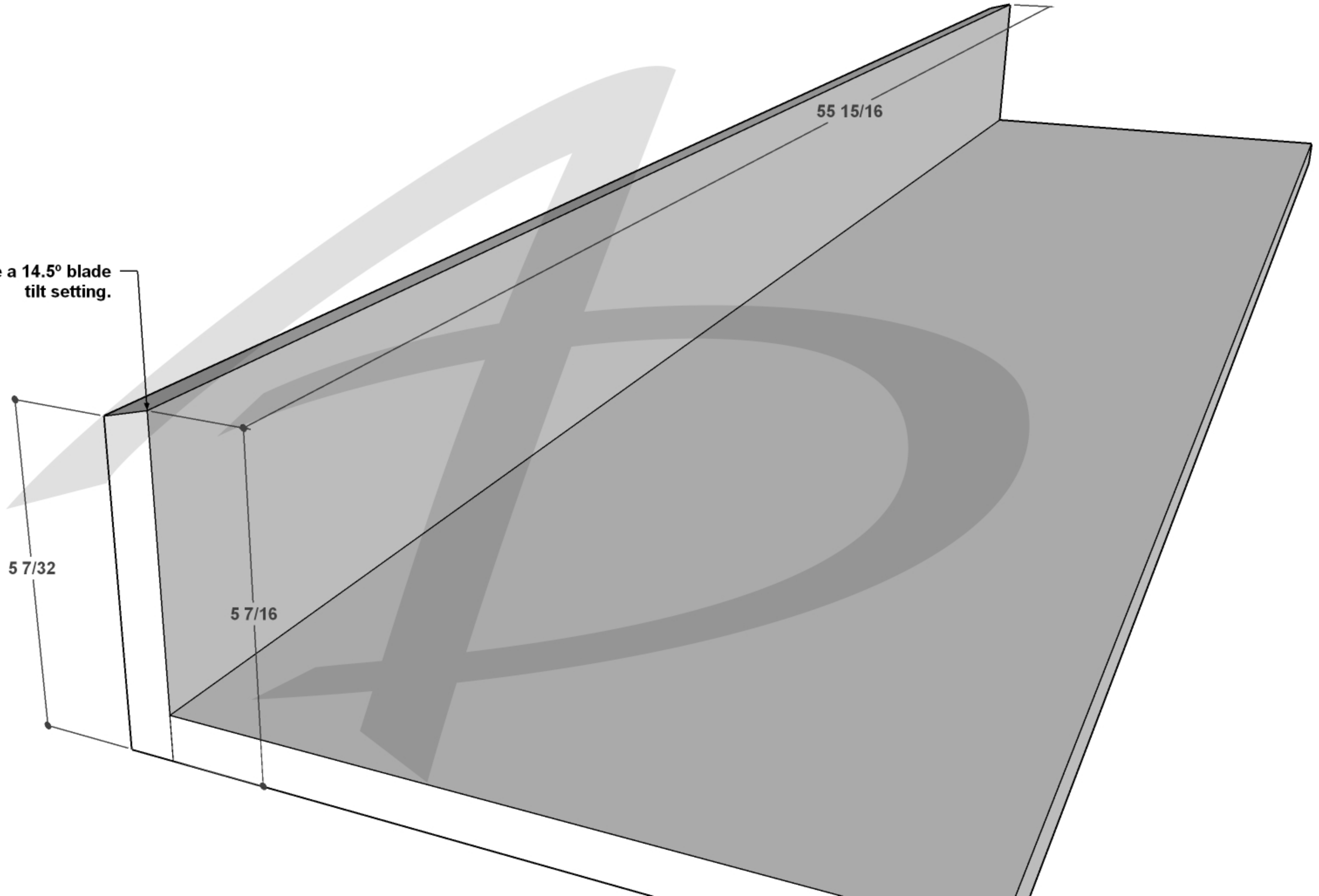


Use a 14.5° blade
tilt setting.

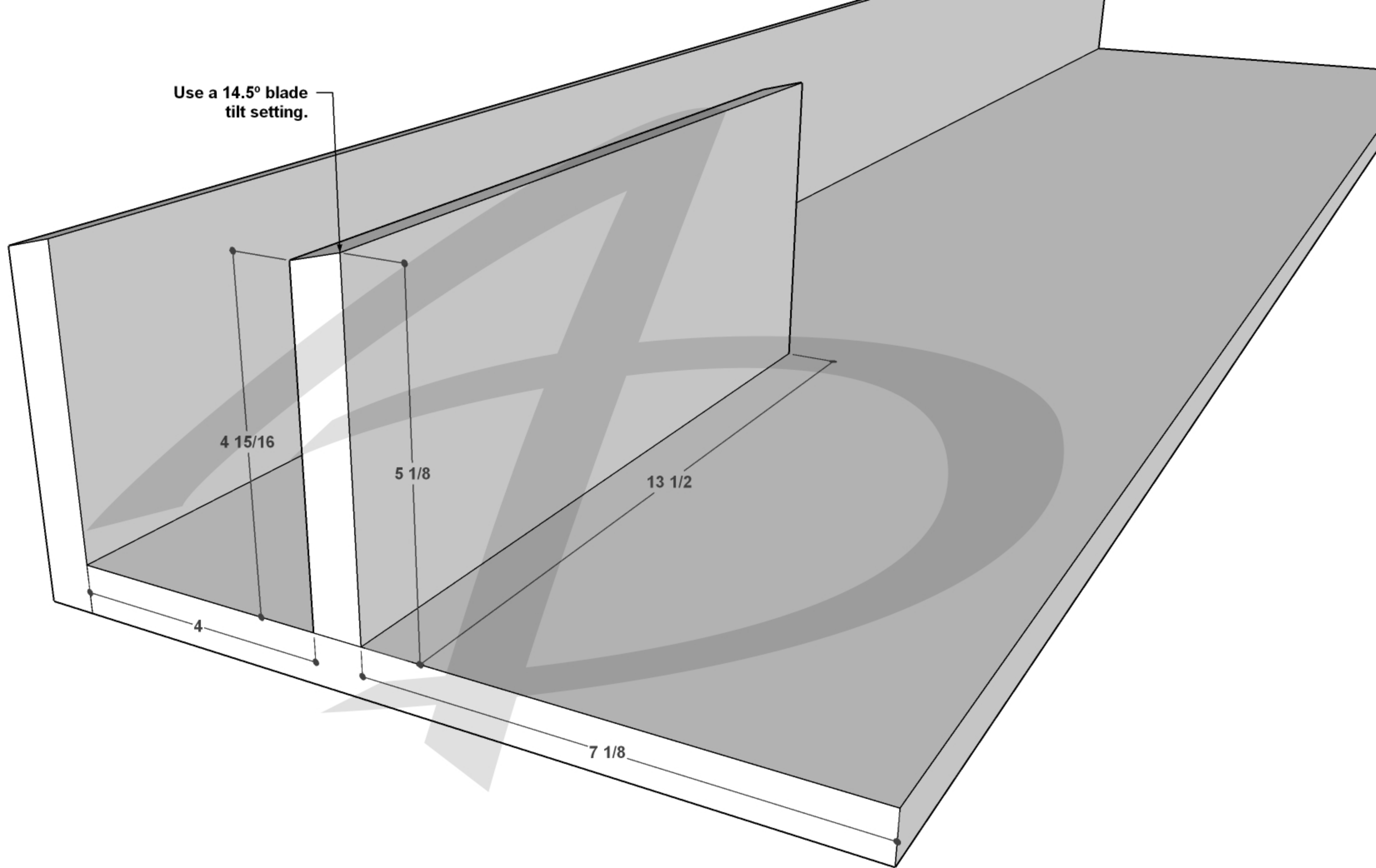
$5 \frac{7}{32}$

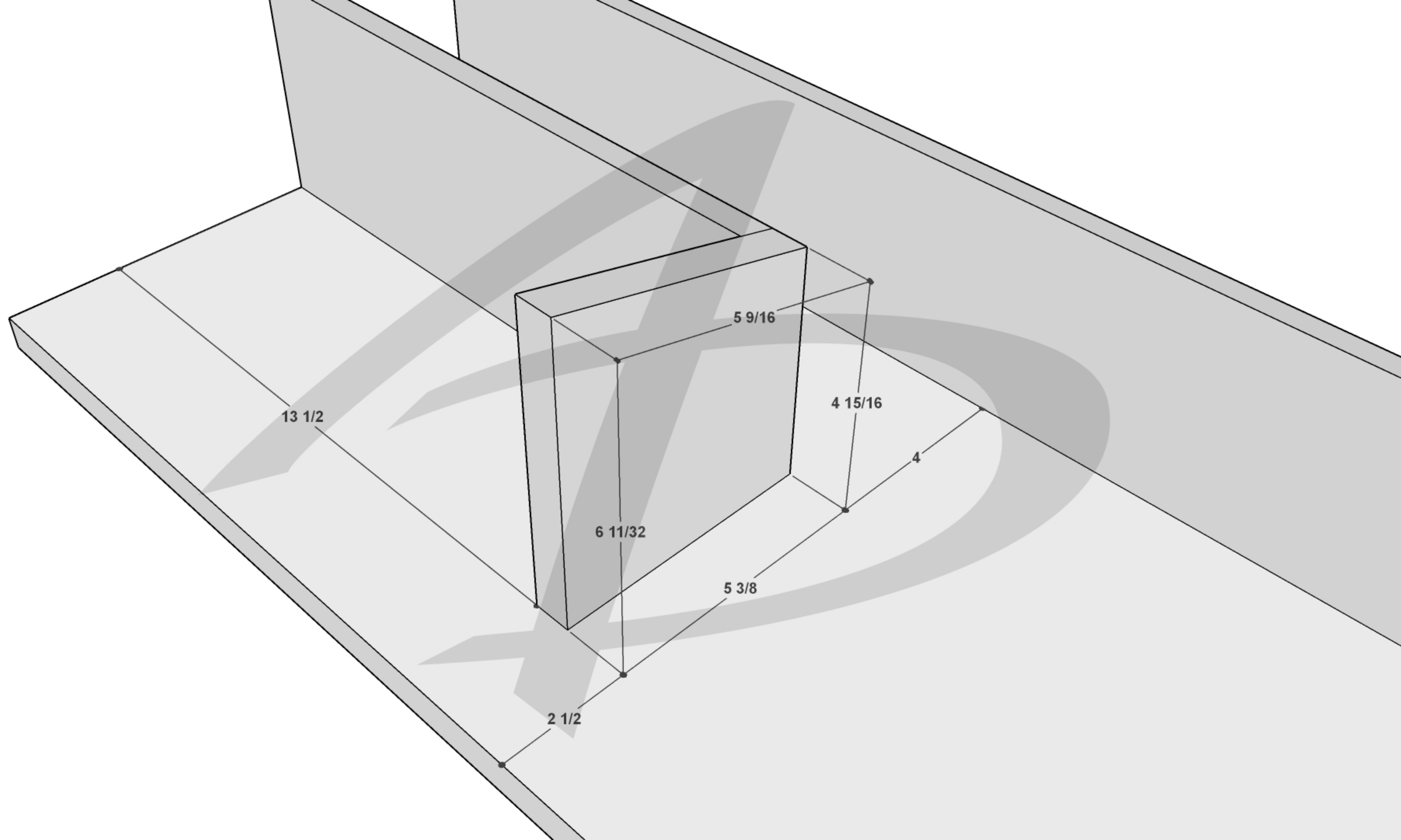
$5 \frac{7}{16}$

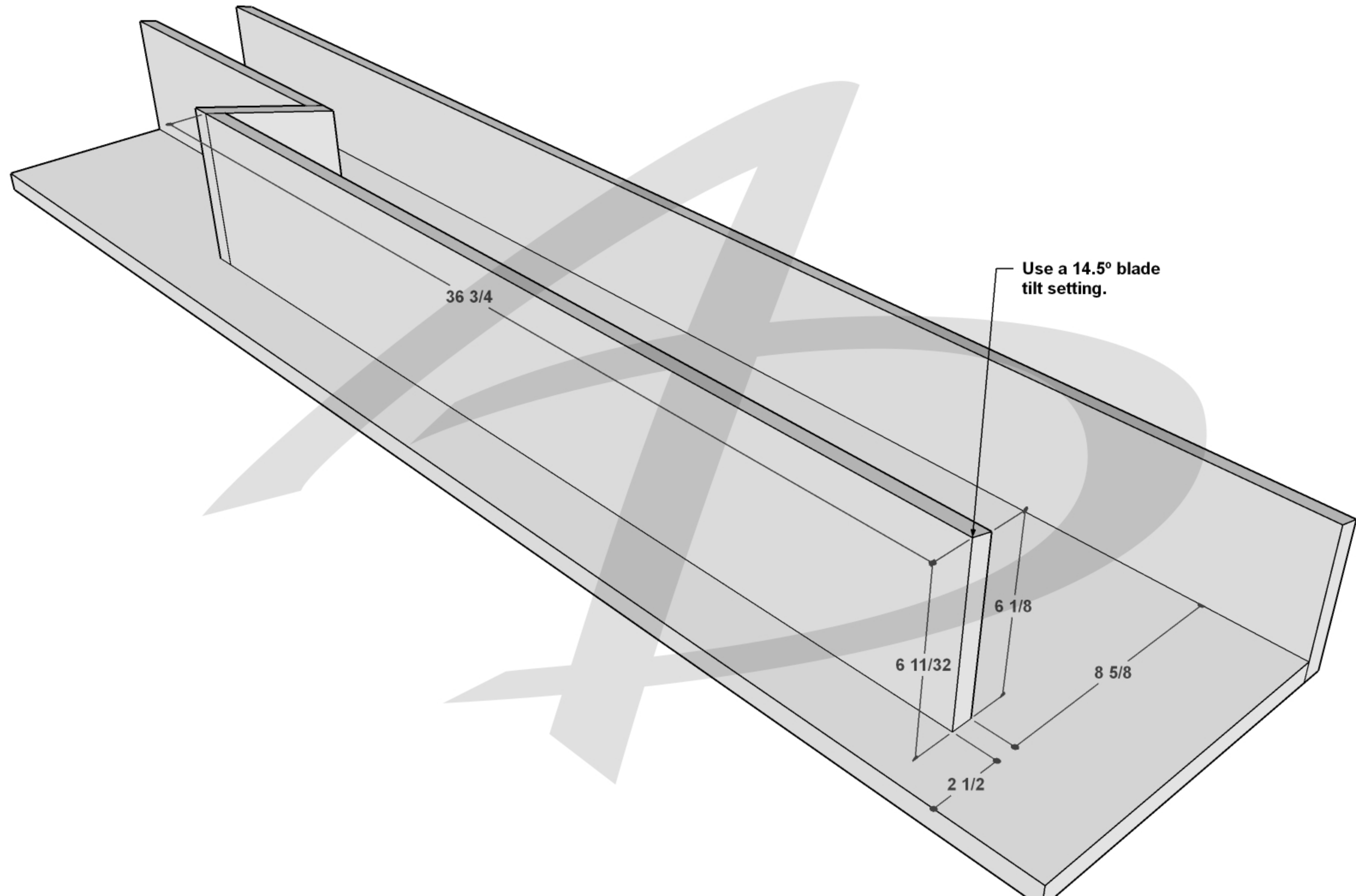
$55 \frac{15}{16}$

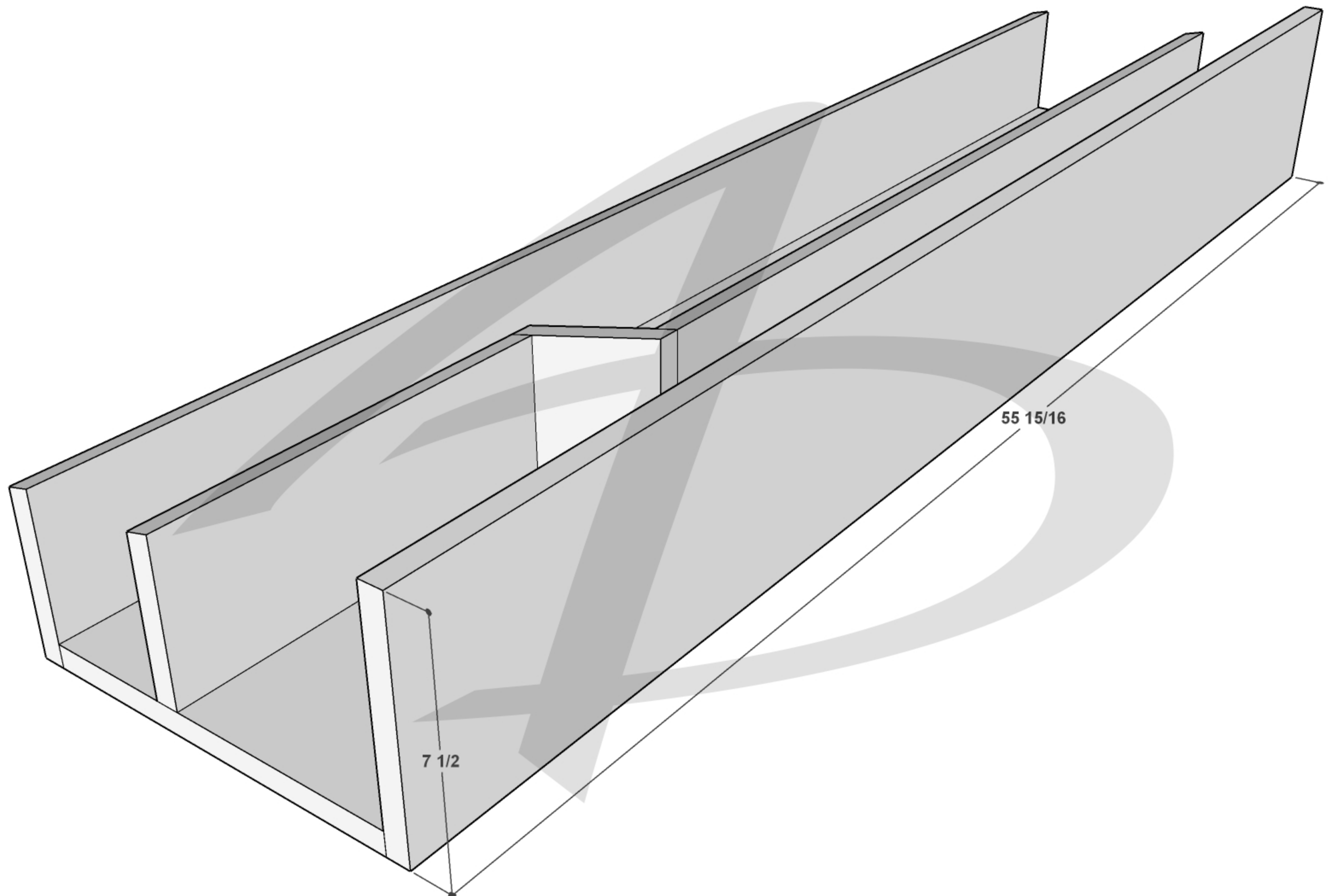


Use a 14.5° blade
tilt setting.



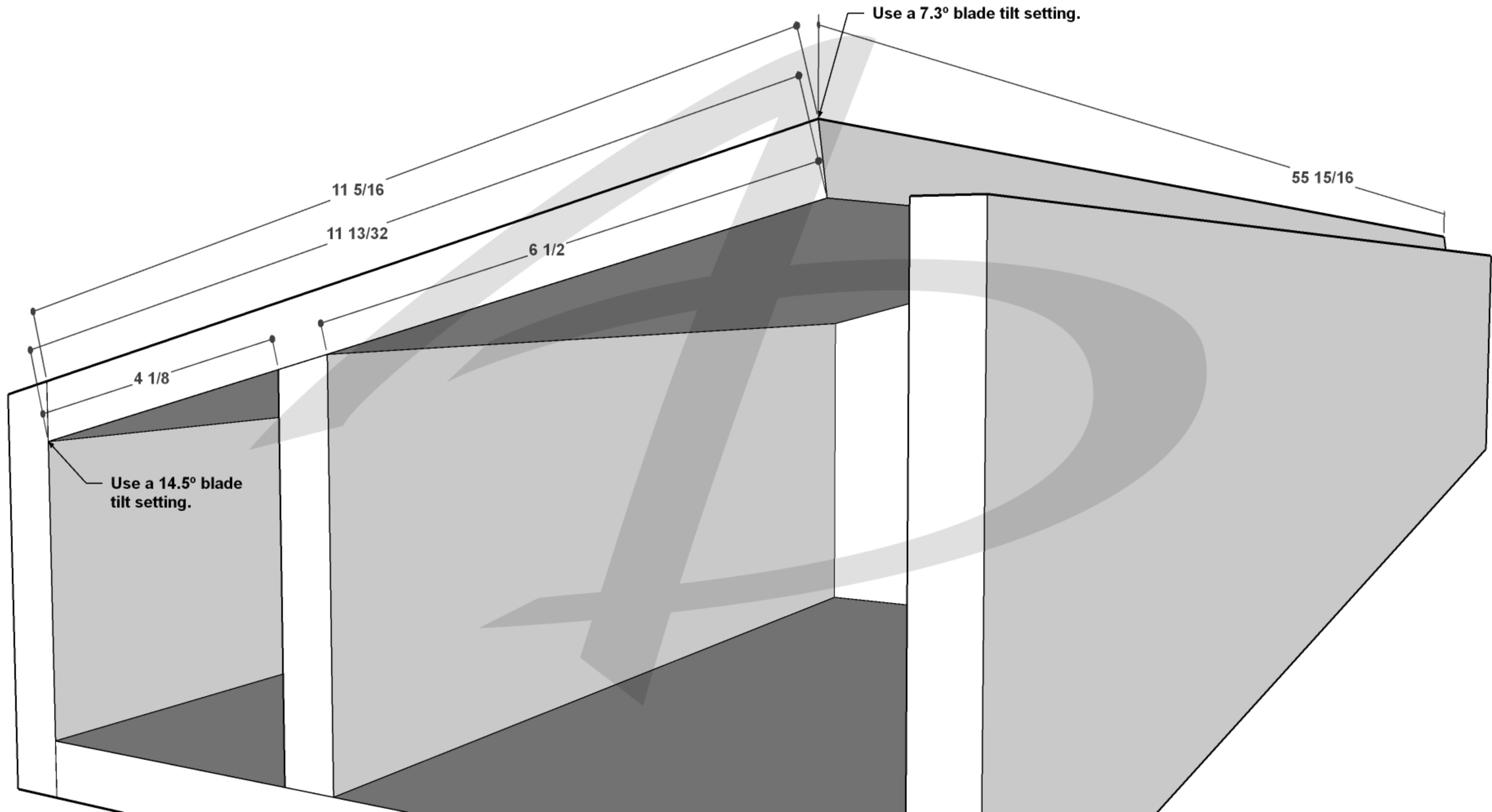


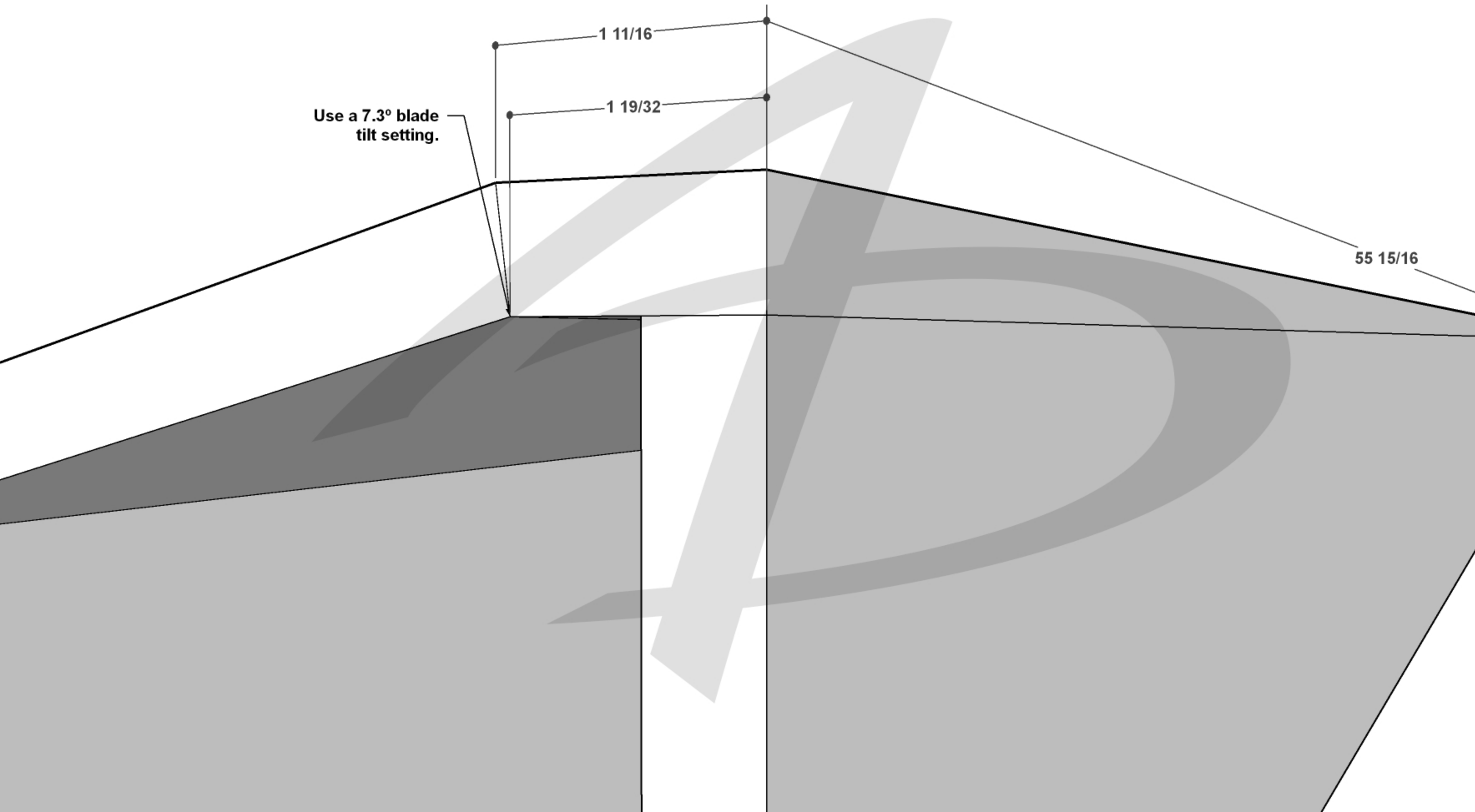




$55 \frac{15}{16}$

$7 \frac{1}{2}$



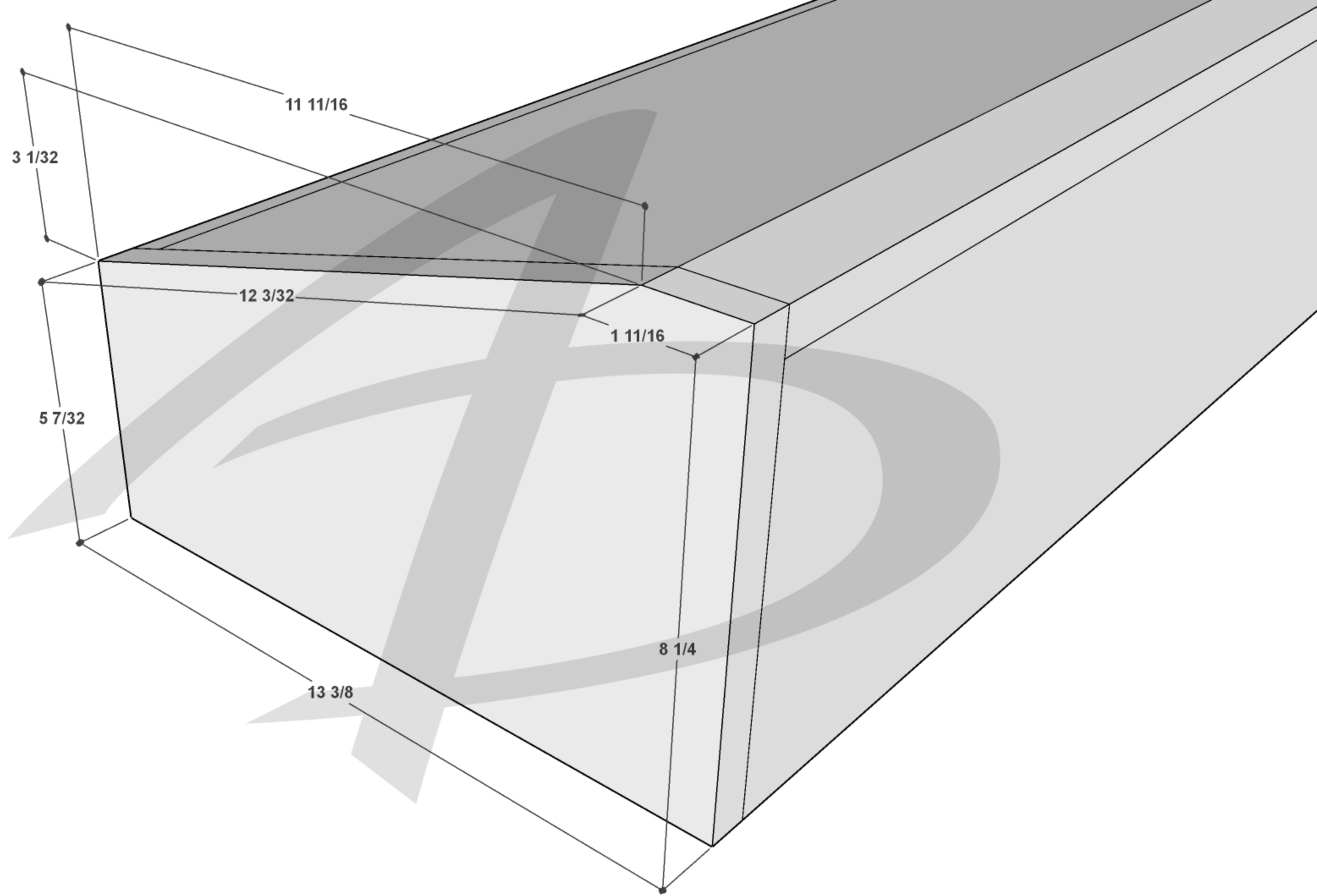


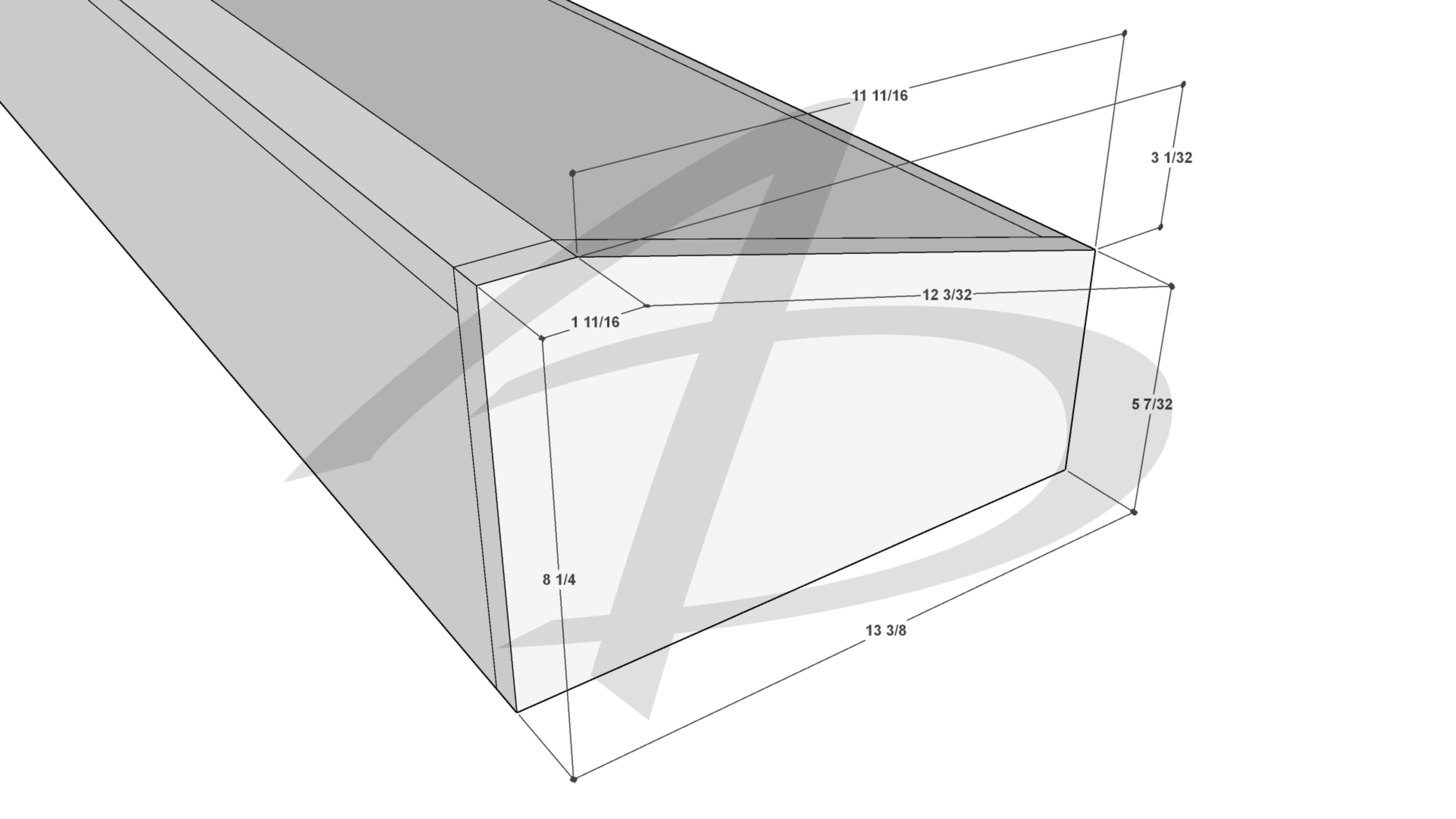
Use a 7.3° blade
tilt setting.

$1 \frac{11}{16}$

$1 \frac{19}{32}$

$55 \frac{15}{16}$





$11 \frac{11}{16}$

$3 \frac{1}{32}$

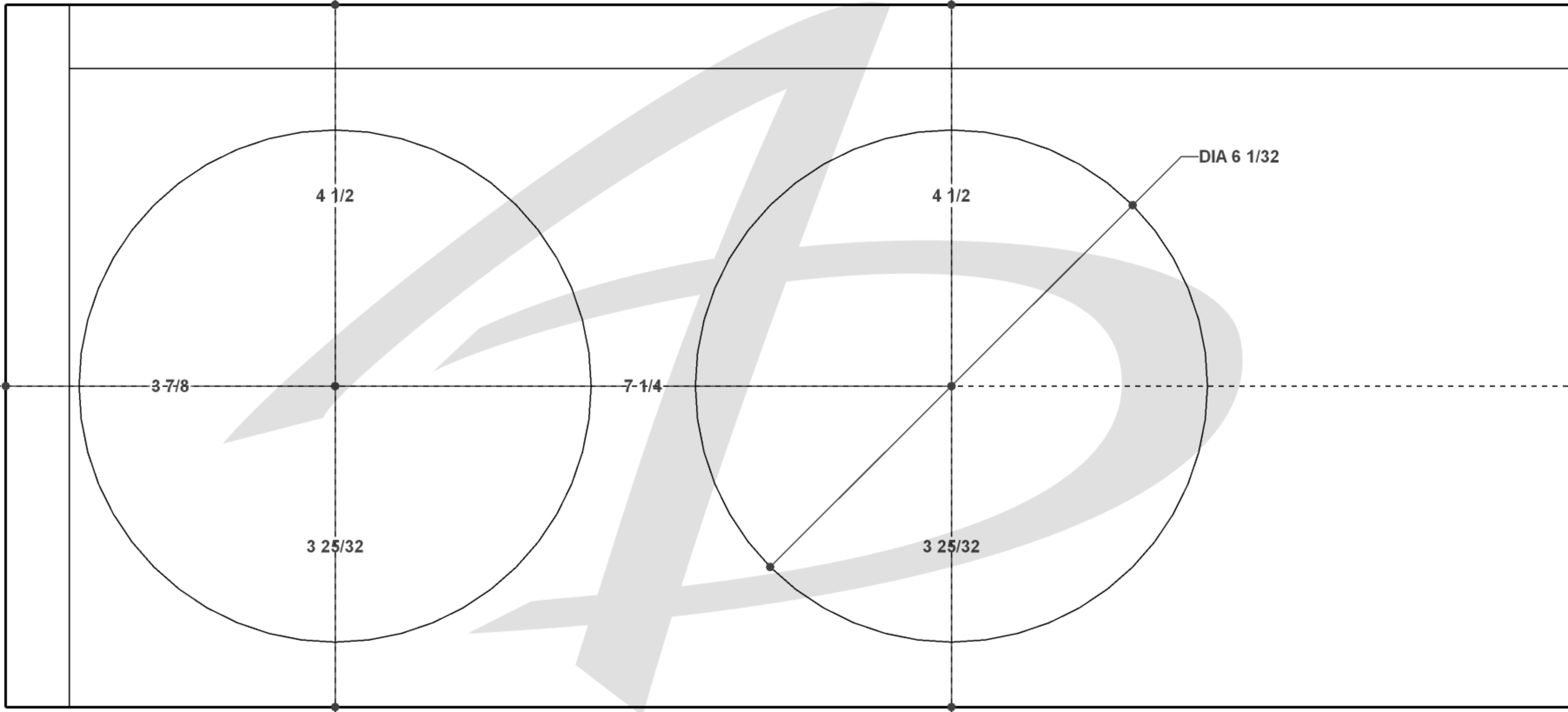
$12 \frac{3}{32}$

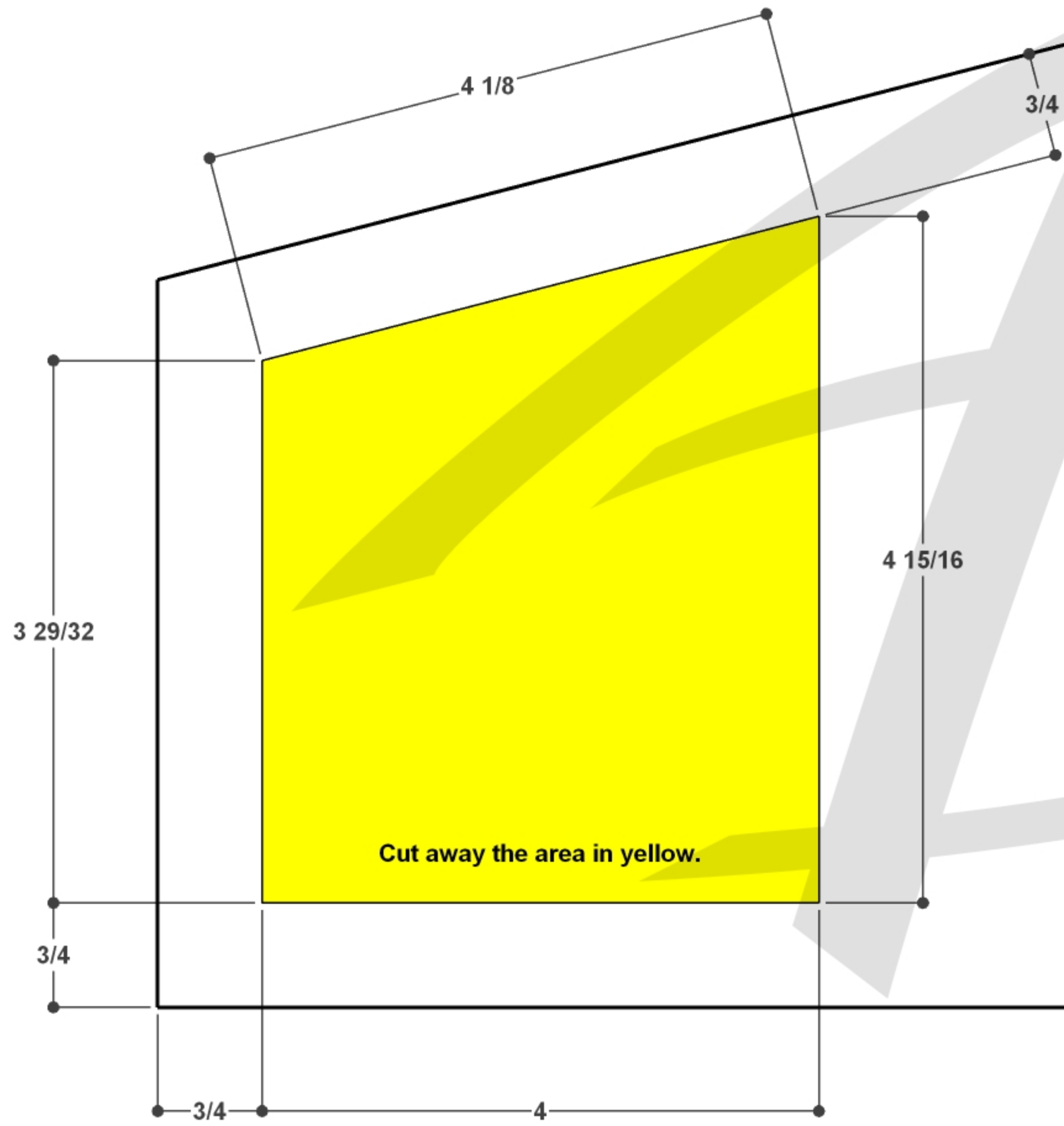
$1 \frac{11}{16}$

$5 \frac{7}{32}$

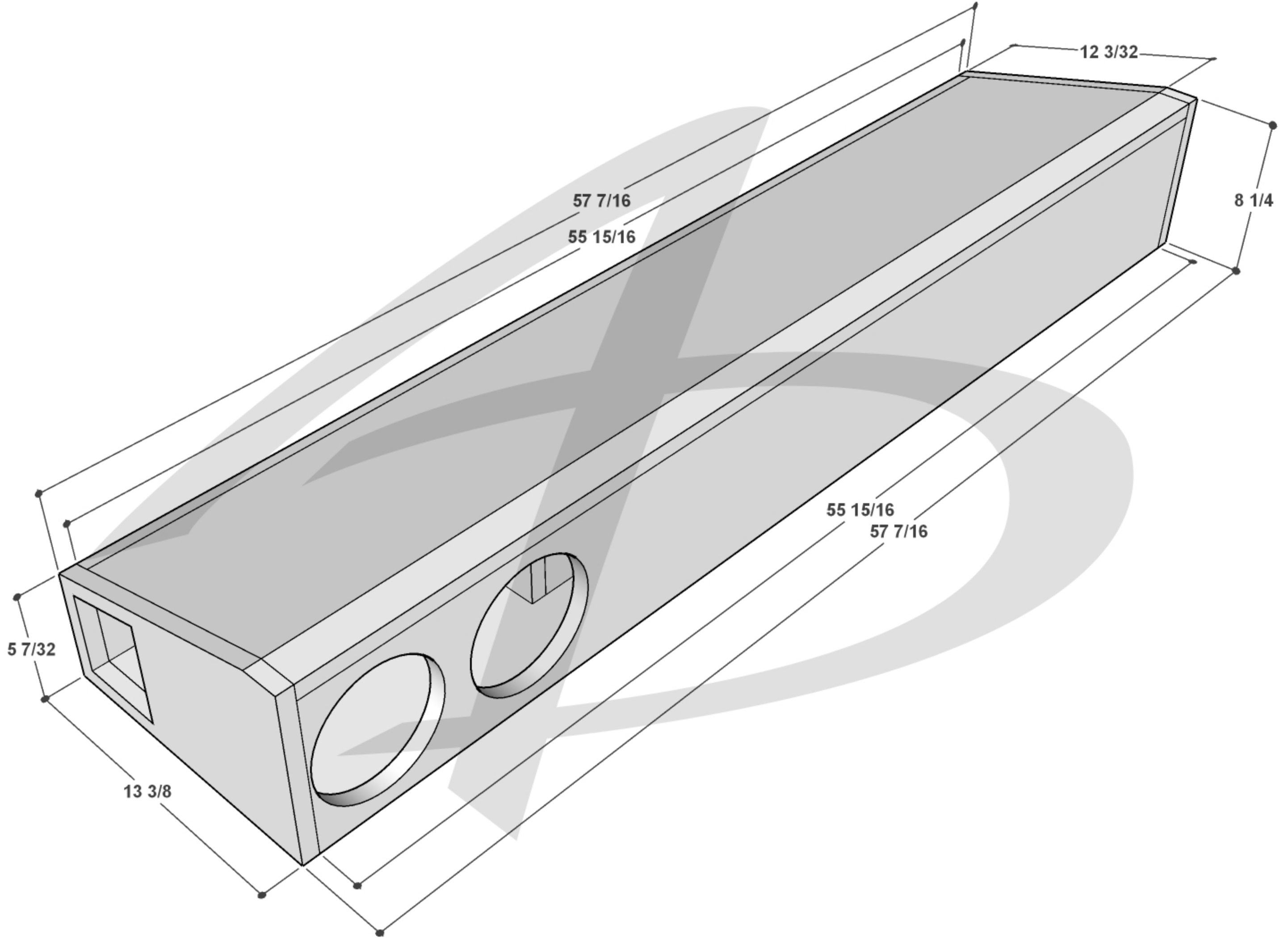
$8 \frac{1}{4}$

$13 \frac{3}{8}$





Cut away the area in yellow.



$57 \frac{7}{16}$

$55 \frac{15}{16}$

$12 \frac{3}{32}$

$8 \frac{1}{4}$

$55 \frac{15}{16}$

$57 \frac{7}{16}$

$5 \frac{7}{32}$

$13 \frac{3}{8}$

