



AUDIO DYNAMICS

| Vehicle Information | |
|---------------------|-----------|
| Year | 2022 |
| Make | Chevy |
| Model | Silverado |

| Enclosure Information | |
|-----------------------|--|
| Design Type | Bass-reflex |
| Placement | Under rear seat |
| Orientation | Position the enclosure with the subs directed forward. |

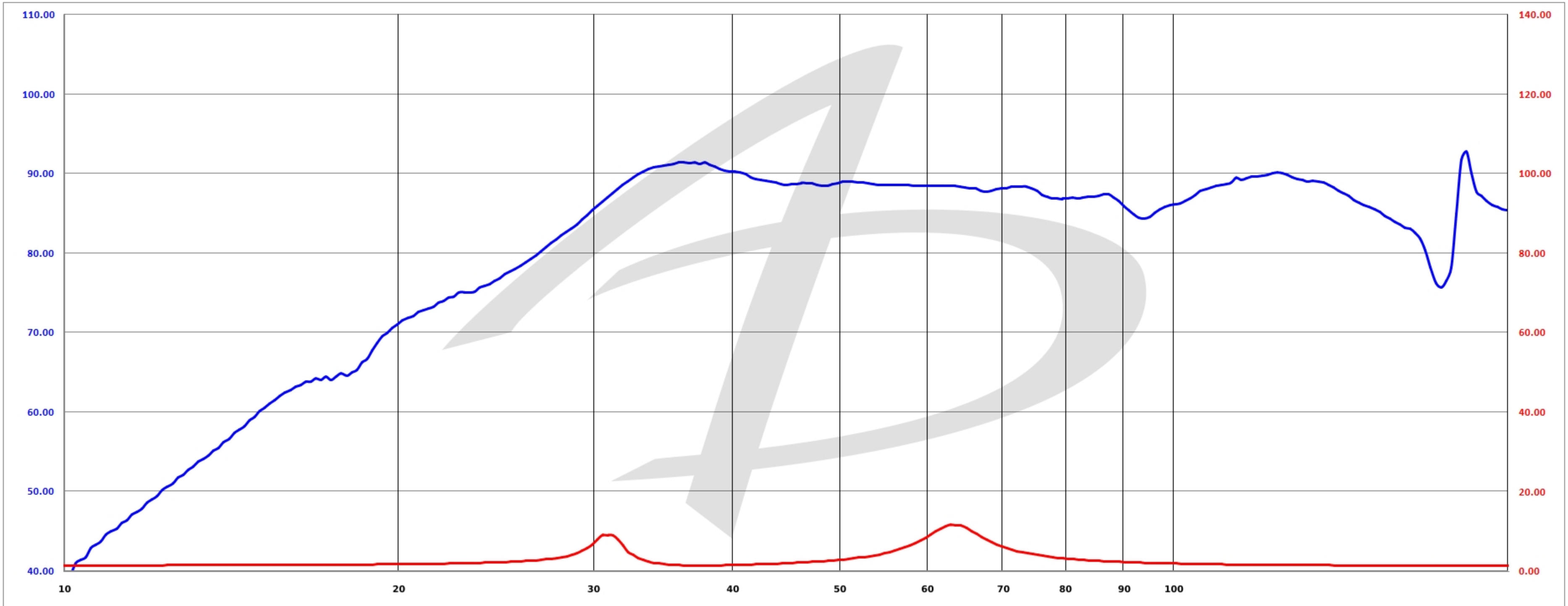
| Special Notes |
|---------------|
| |

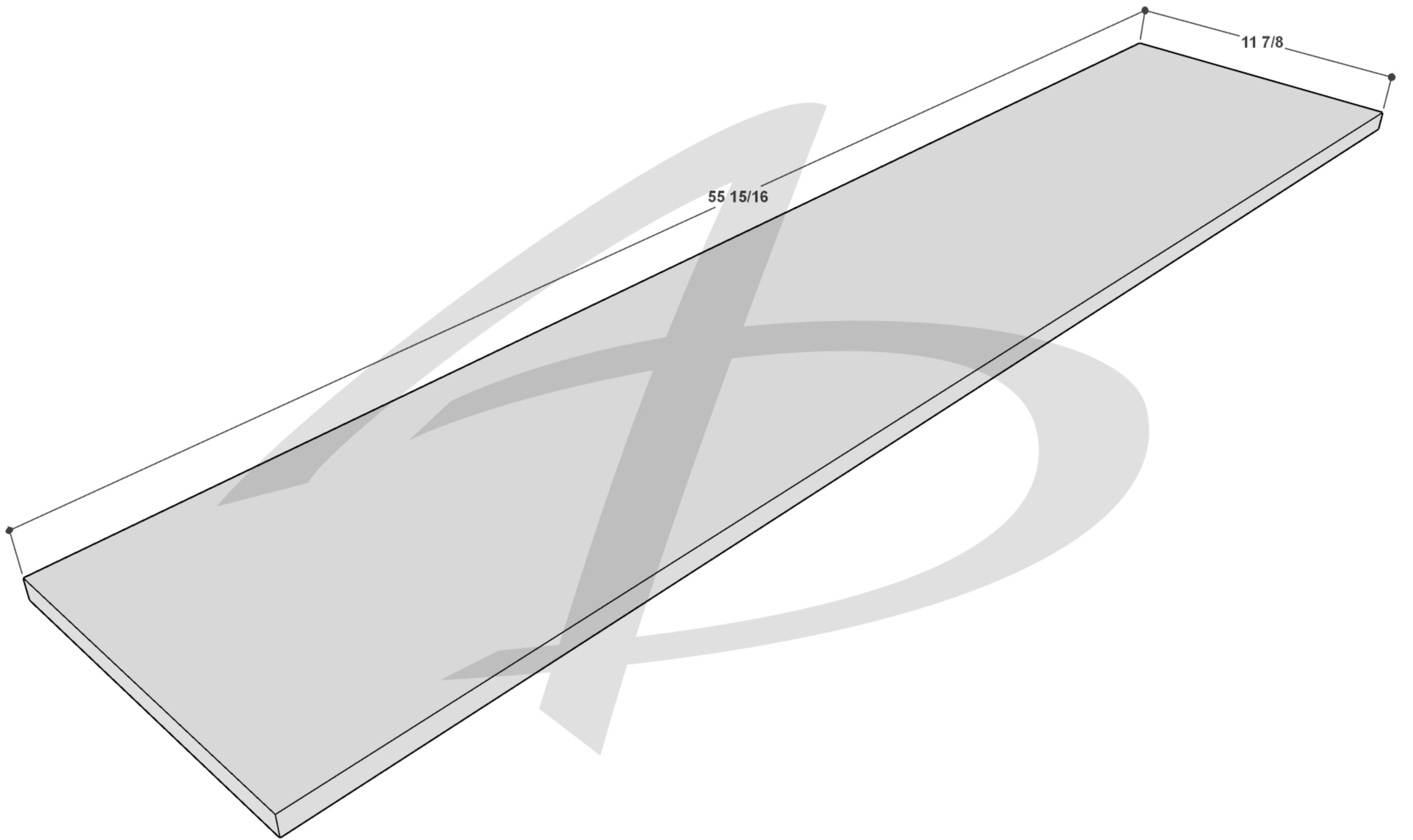
| Amplifier Information | |
|---------------------------|---------|
| Continuous Power Handling | 2,400 W |
| Subsonic Filter Setting | 32 Hz |
| Low Pass Filter Setting | 90 Hz |

| Subwoofer Information | |
|-----------------------|----------------|
| Make | Audio Dynamics |
| Model | AD2206 D2 |
| Quantity | 6 |

| Performance Information | |
|---|--|
| SQ | <input checked="" type="checkbox"/> Within the Vehicle |
| <input checked="" type="checkbox"/> SQL | Outside the Vehicle |
| SPL | Metering Position |

| Metering Information | | |
|----------------------|----------------|----|
| Headrest | Peak Frequency | Hz |
| Dash / Windshield | | |
| Foot Well | | |

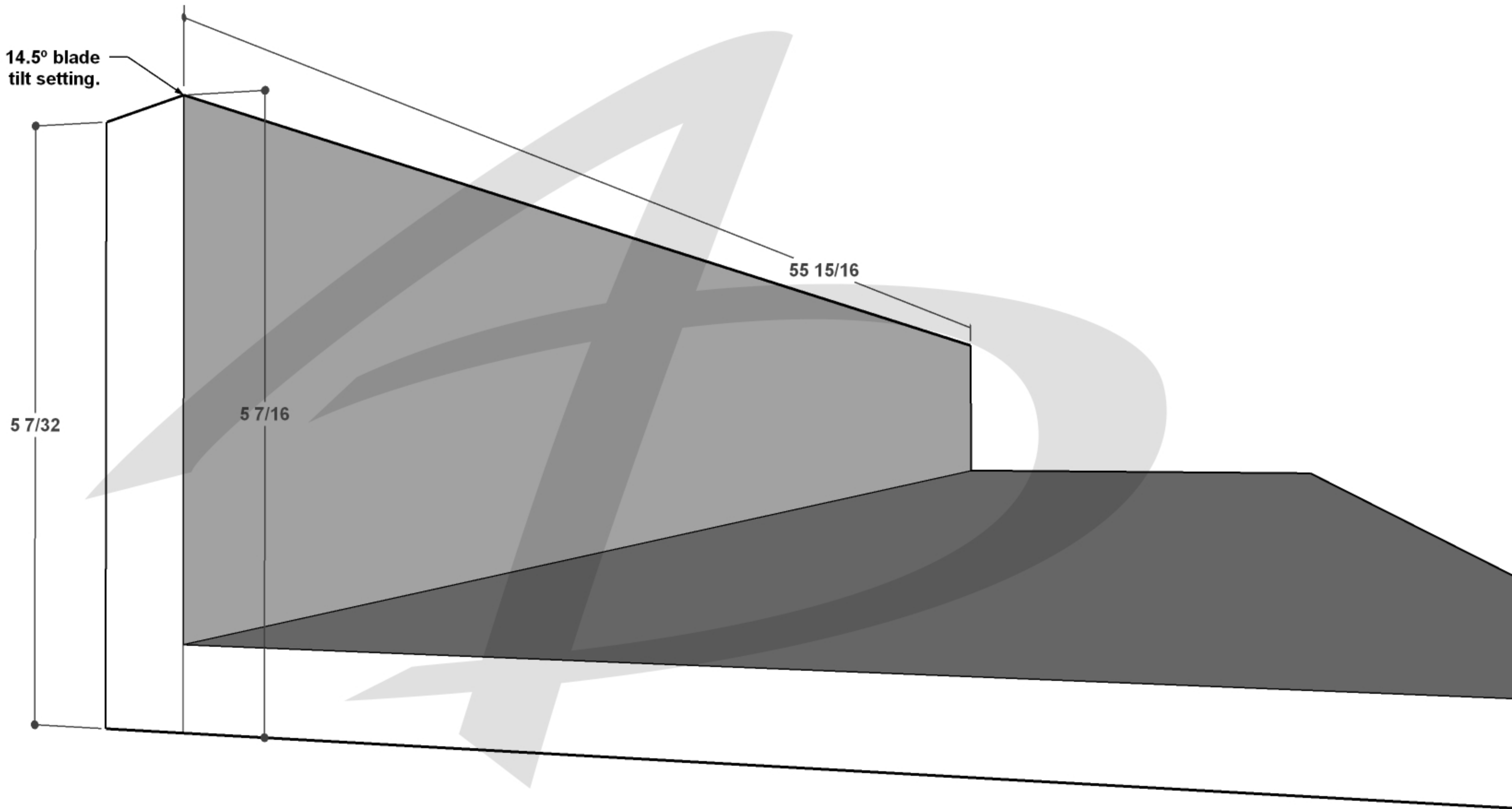


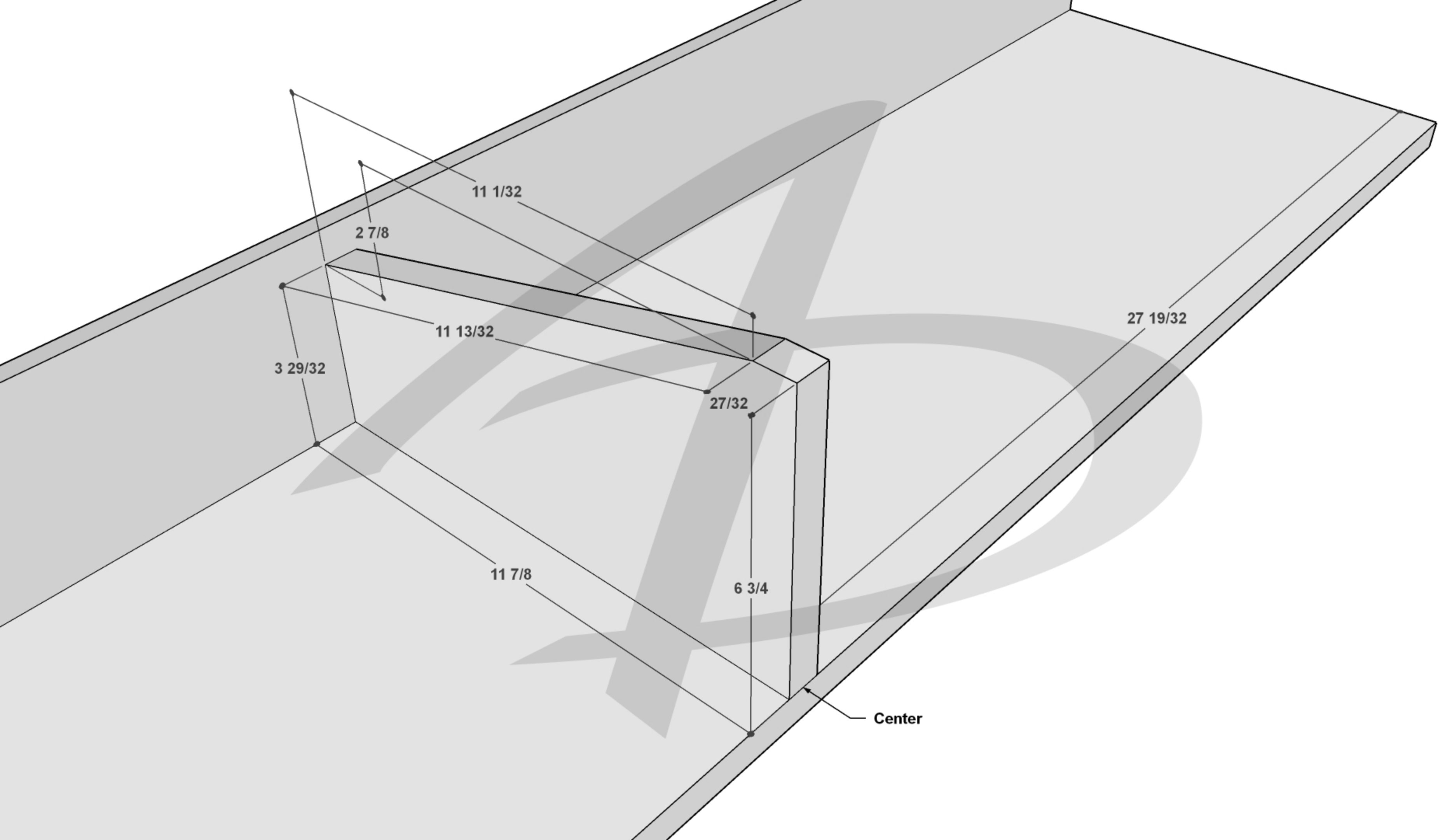


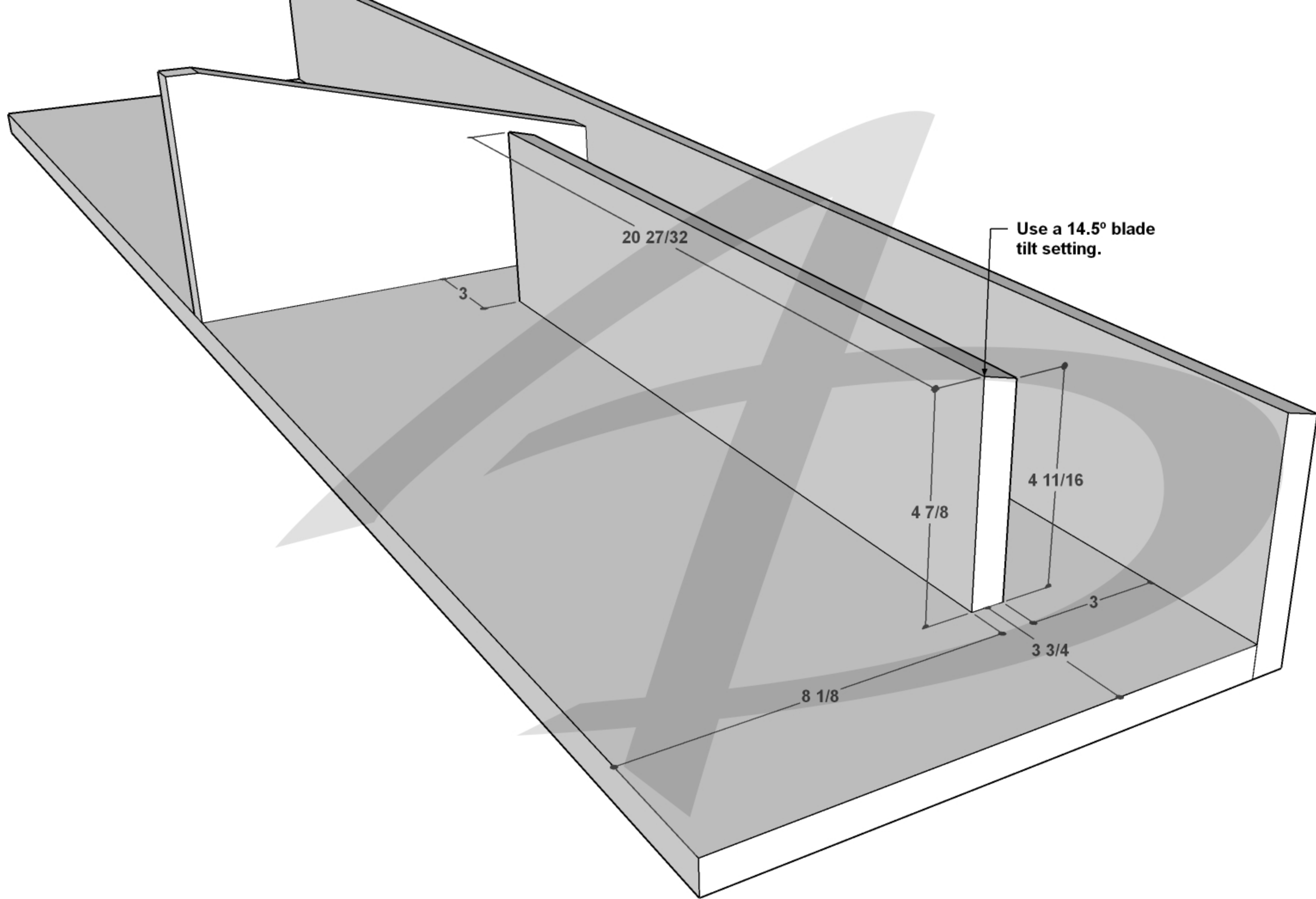
$55 \frac{15}{16}$

$11 \frac{7}{8}$

Use a 14.5° blade
tilt setting.







20 27/32

Use a 14.5° blade tilt setting.

3

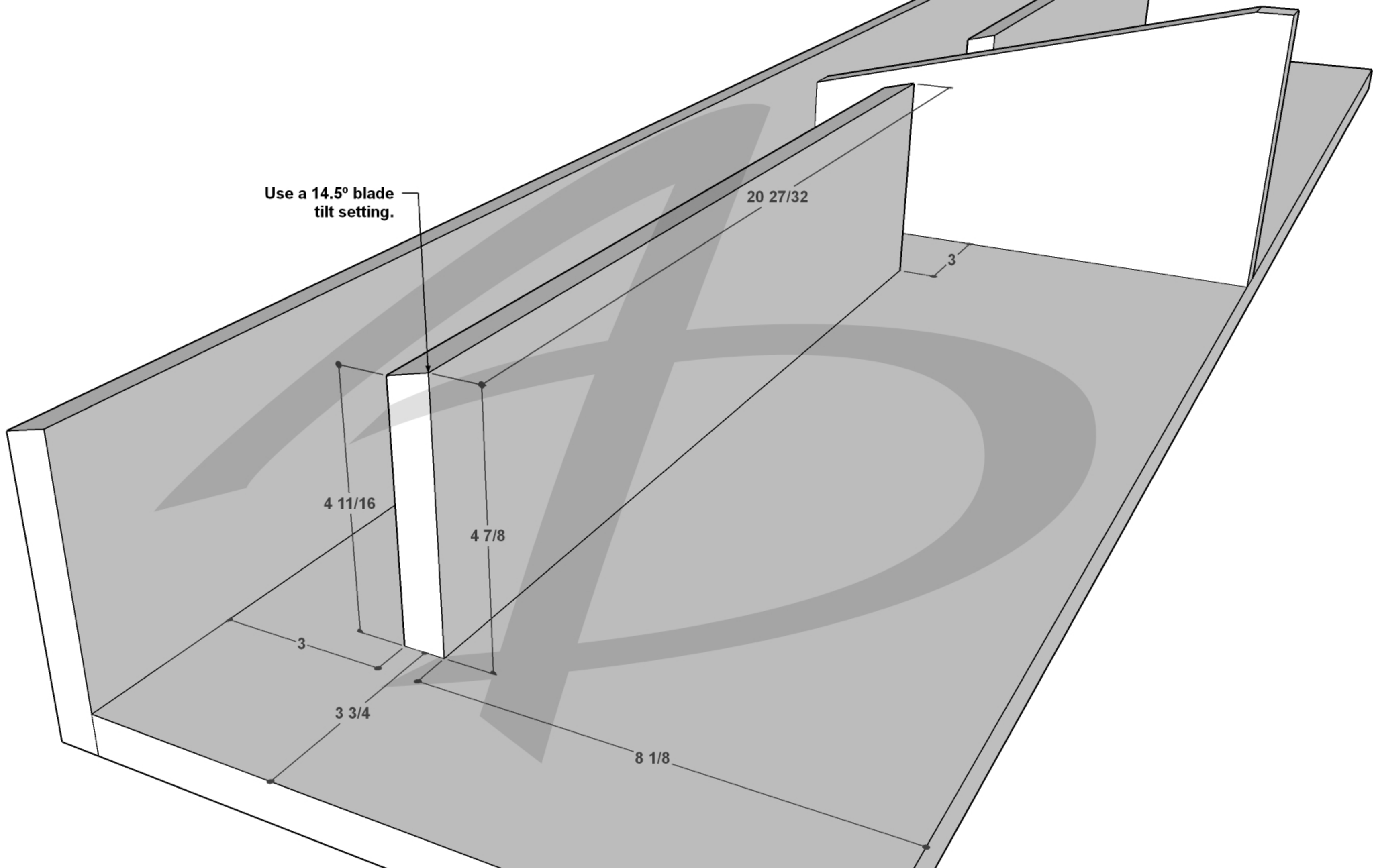
4 7/8

4 11/16

8 1/8

3 3/4

3



Use a 14.5° blade
tilt setting.

20 27/32

3

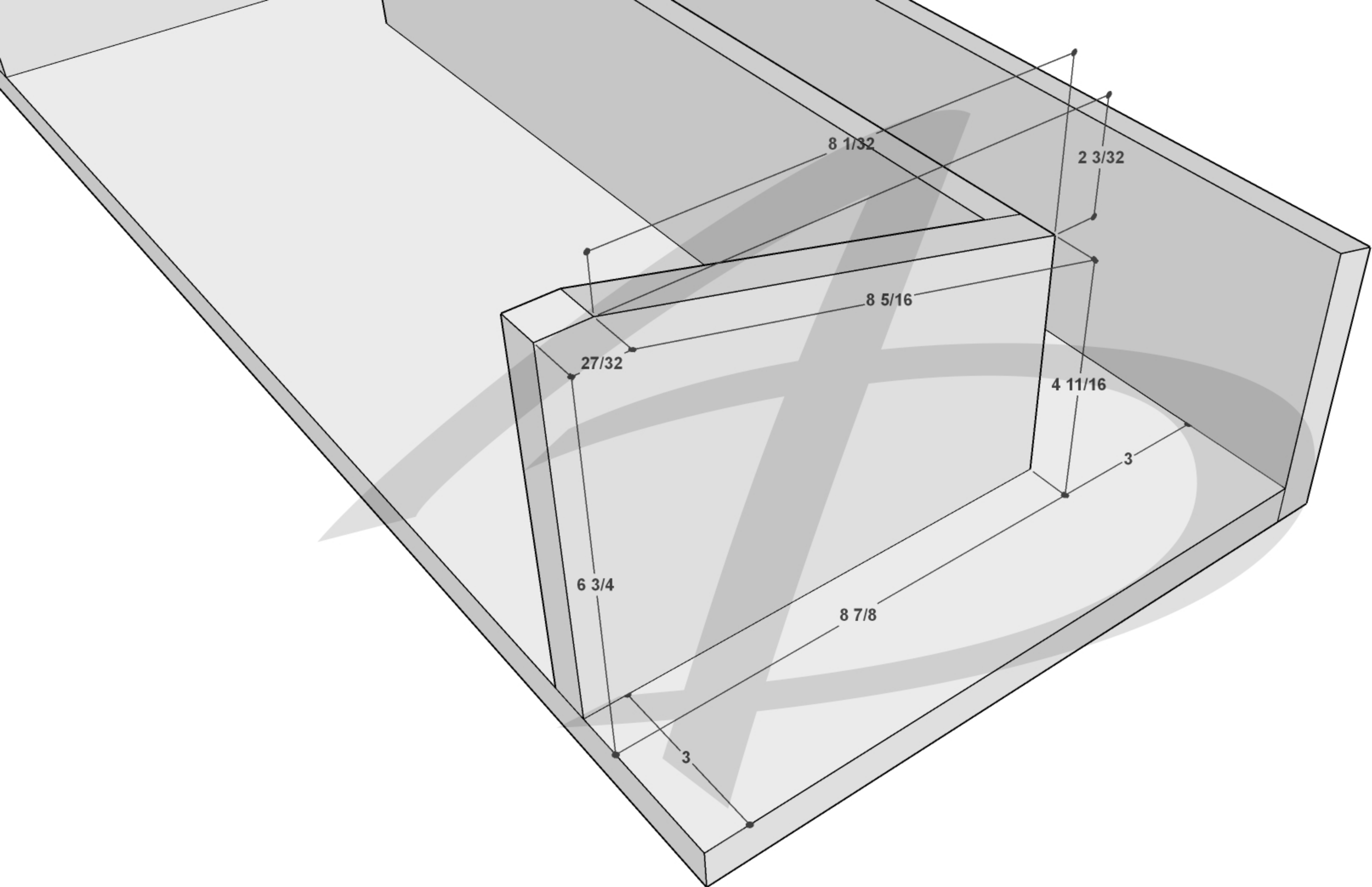
4 11/16

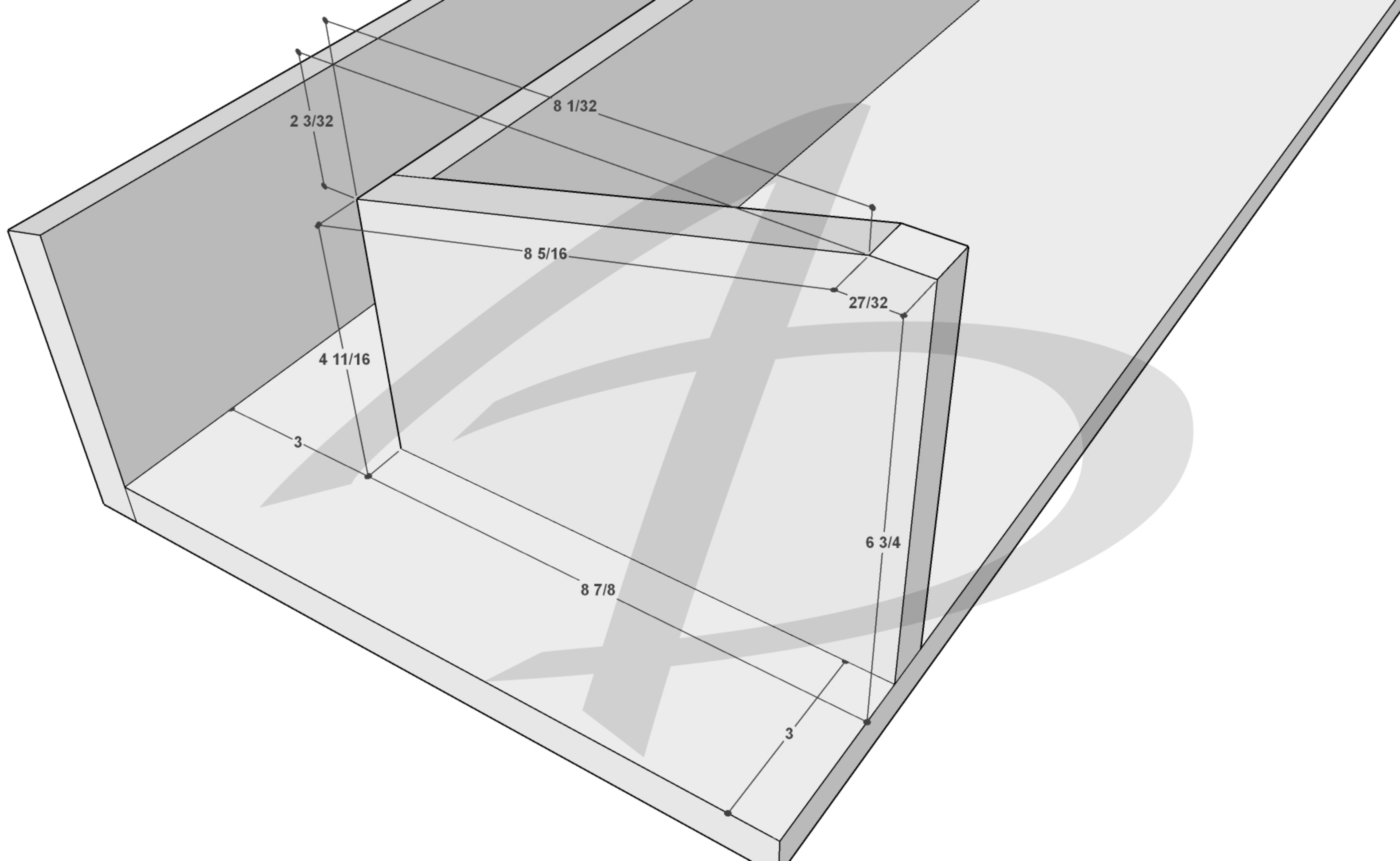
4 7/8

3

3 3/4

8 1/8





$2 \frac{3}{32}$

$8 \frac{1}{32}$

$8 \frac{5}{16}$

$27/32$

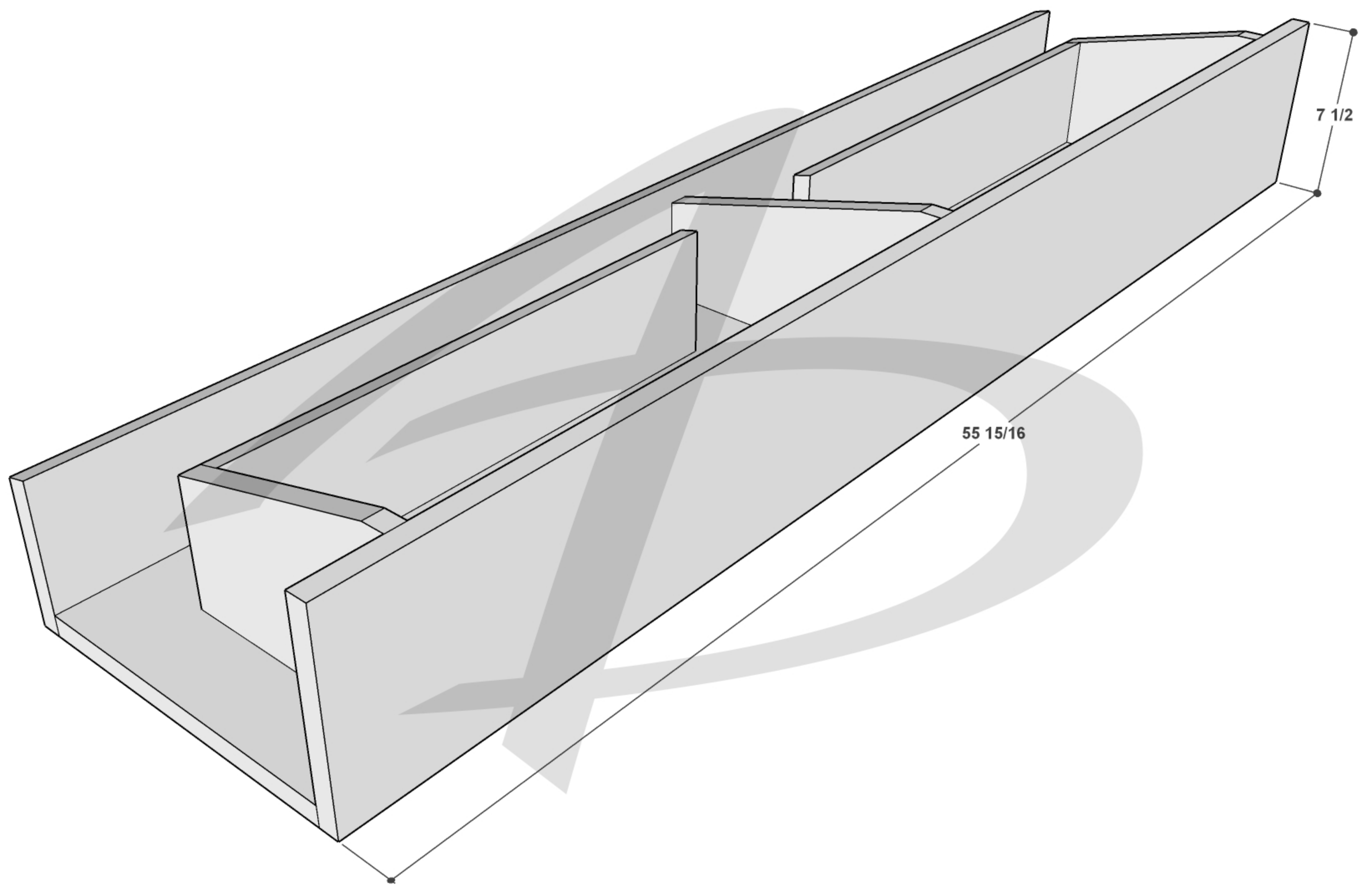
$4 \frac{11}{16}$

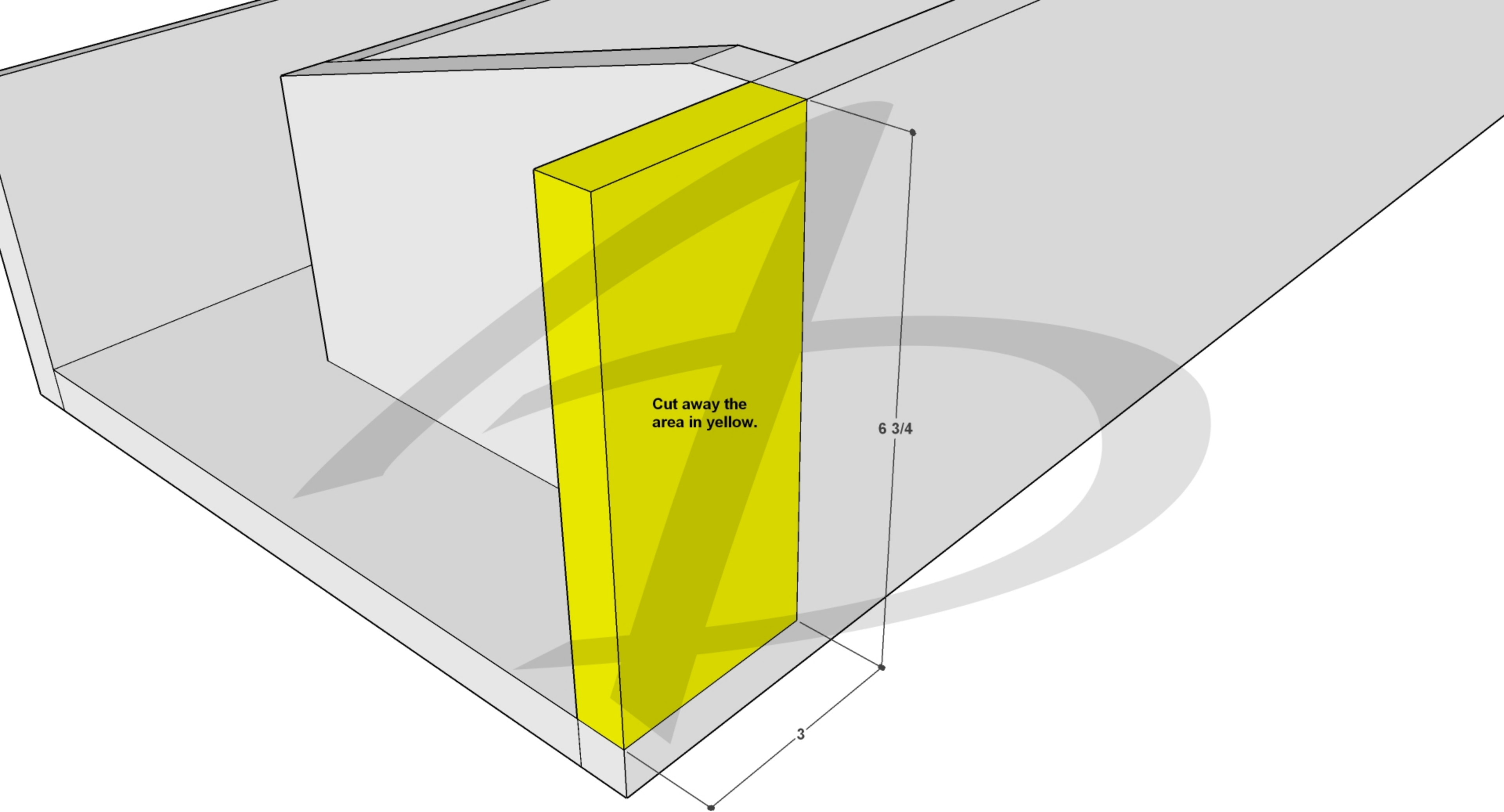
3

$6 \frac{3}{4}$

$8 \frac{7}{8}$

3

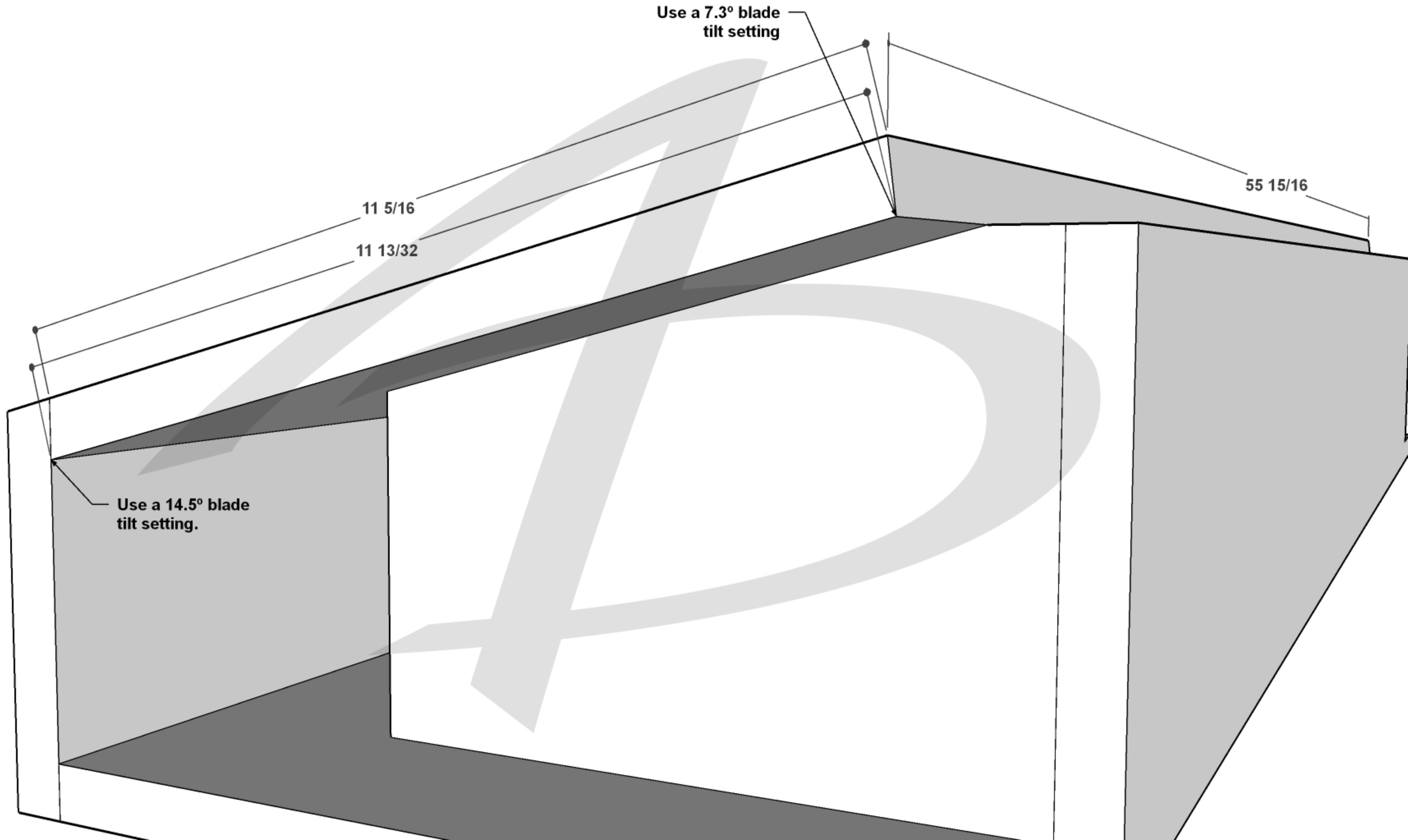


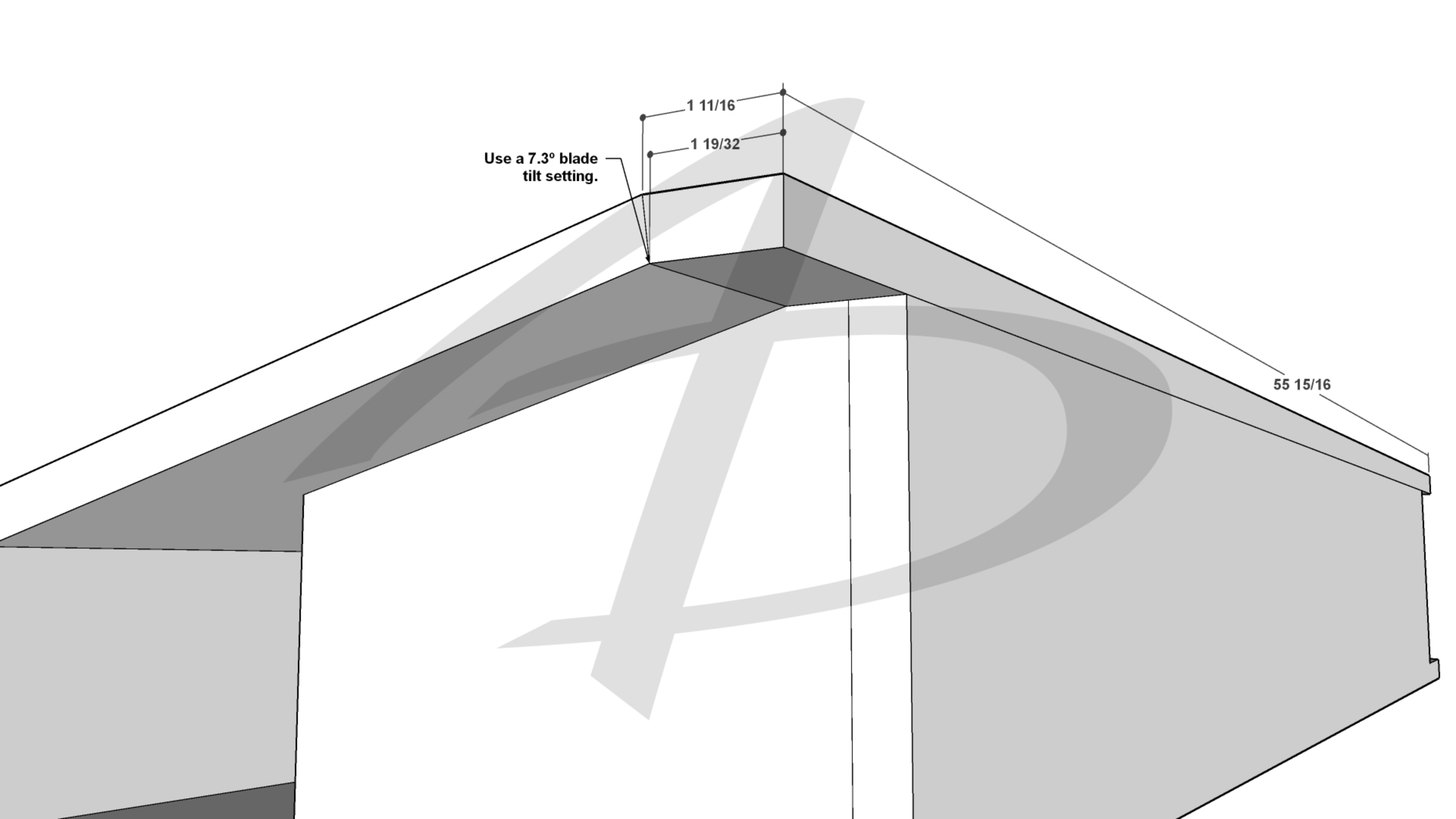


Cut away the
area in yellow.

$6 \frac{3}{4}$

3



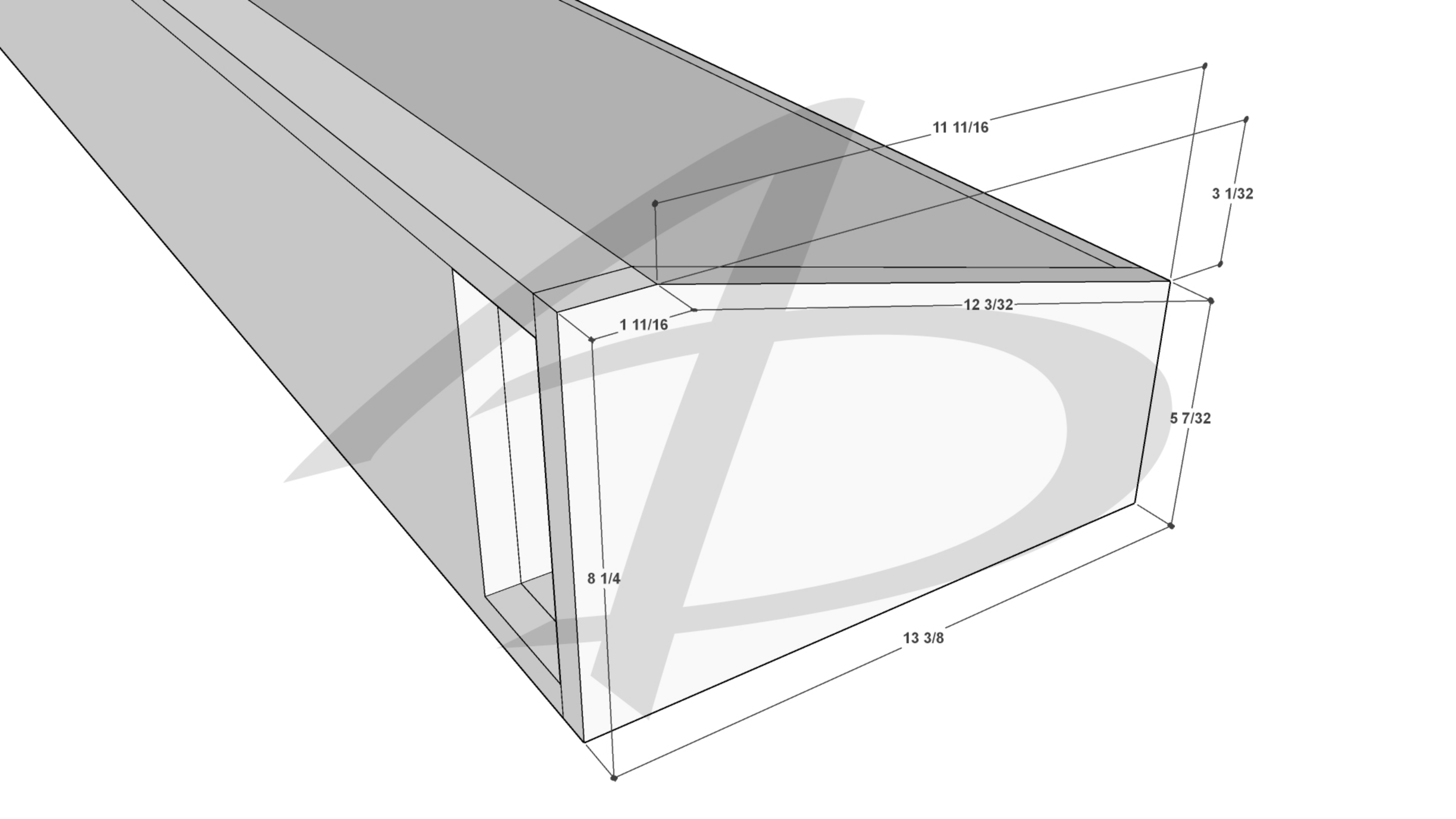


$1 \frac{11}{16}$

$1 \frac{19}{32}$

Use a 7.3° blade
tilt setting.

$55 \frac{15}{16}$



11 11/16

3 1/32

12 3/32

5 7/32

1 11/16

8 1/4

13 3/8

